

Spare parts catalogue **1098R** BAYLISS **U.S.A.**

DUCATI *SUPERBIKE*

GENERAL INFORMATION

The present spare parts order exactly the right spare parts

When ordering specify:

1) the part's code number followed by its description; quantity needed;

2) the motorcycle's serial number, stamped on the steering head.

Reference to right and left apply to the vehicle in terms of its direction of movement.

Spare parts drawings are general and do not represent the part.

The contents of this catalogue are general and can undergo changes without prior notice.

VALIDITY

f.m. Until V.I.N.
d.m. From V.I.N.
f.m.m. Up to engine number
d.m.m. From engine number

LIST

CAL California
CDN Canada

*Ducati Motor Holding S.p.A.
Commercial and Administration Office:
Via A. Cavalieri Ducati n. 3
40132 Bologna, Italy
Telefono 051 6413111
Fax 051 406580
Internet www.ducati.com*

CATALOGUE No: 915.1.275.1H
ISSUED: 05 - 09

CATALOGUE No: 915.1.275.1H
ISSUED: 05 - 09

1098R BAYLISS

Paints

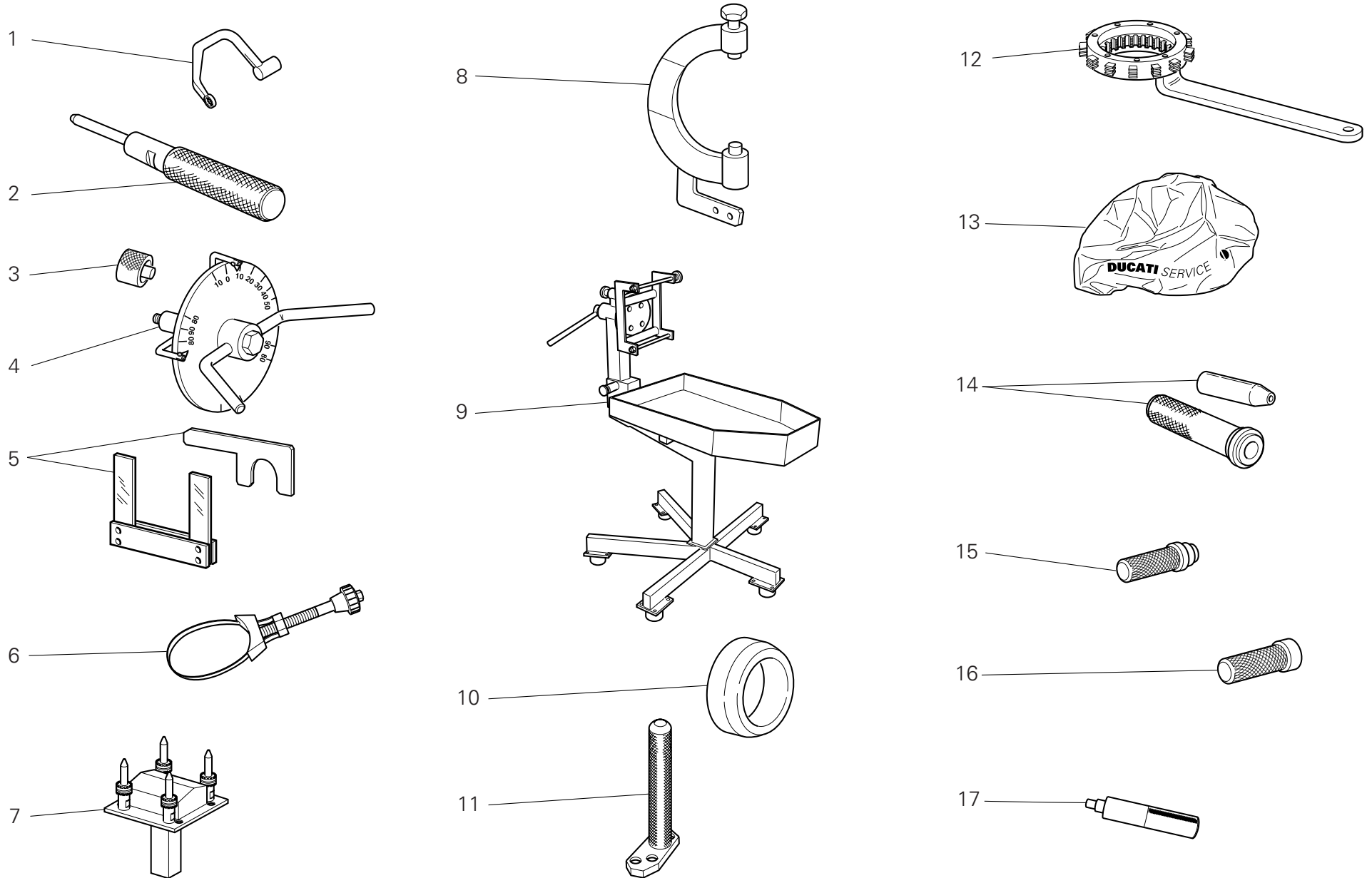


Paint	Code
-------	------

CATALOGUE No: 915.1.275.1H
ISSUED: 05 - 09


CATALOGUE No: 915.1.275.1H
ISSUED: 05 - 09

page	Contents
4	001 Workshop service tools
6	001a Workshop service tools
8	001b Workshop service tools
10	001c Dds tester
12	001d Workshop service tools
14	002 Gearchange control
16	003 Gearbox
18	004 Clutch
20	005 Clutch-side crankcase cover
22	006 Connecting rods
24	007 Cylinders - pistons
26	008 Timing system
28	009 Filters and oil pump
30	010 Crankcase halves
32	010a Crankcase halves
34	011 Water pump-altr-side crnkcase cover
36	012 Electric starting and ignition
38	013 Cylinder head : timing system
40	014 Vertical cylinder head
42	015 Horizontal cylinder head
44	016 Oil cooler
46	017 Throttle body
48	018 Battery support
50	018a Electrical system
52	019 Exhaust system
54	020 Headlight & instr. panel
56	021 Handlebars - shock-absorber
58	021a Front forks
60	022 Frame
62	022a Stand
64	023 Clutch control
66	024 Front brake
68	025 Rear brake
70	026 Front and rear wheels
72	026a Rear wheel axle
74	027 Rear subframe
76	027a Number plate holder
78	028 Rear suspension
80	028a Swingarm
82	029 Air intake - oil breather
84	030 Radiator
86	031 Cooling system
88	032 Fuel tank
90	032a Fuel system
92	033 Seat
94	034 Headlight fairing
96	034a Fairing
98	035 Exhaust kit (a) / silencer kit (b)
100	036 Evaporative emissions canister
102	037 Data plate positions



DRAWING **001**



Workshop service tools

NOTES NO.	CODE NO.	DESCRIPTION	VALIDITY	Q.TY 
1	88713.2676	Head nuts holder wrench		1
2	88713.3156	Tool to drive valve seal ring ø6		1
3	88765.1298	Spacer for checking lower valve shim		1
4	88713.0123	Degree wheel holder tool for ignition advance check		1
5	88713.2878	Spacer and fork feeler gauge 0,2/0,3 mm		1
6	88713.2906	Wrench to tighten oil filter cartridge		1
7	88713.2863	Head mounting base		1
8	88713.2874	Flywheel Wrench		1
9	88713.1832	Bench for engine repair		1
10	88700.5665	Sleeve for installing clutch bell gear		1
11	88713.2827	Plate for positioning gear engagement fork		1
12	88713.2133	Wrench to hold clutch housing drum steady		1
13	88713.1886	Engine canvas		1
14	88700.5749	Crankcases assembling cap		1
15	88713.0869	Tool for assembling water pump front seal		1
16	88713.0870	Tool for assembling water pump front seal		1
17	88713.2669	Roller cage fitting tool on primary shaft		1

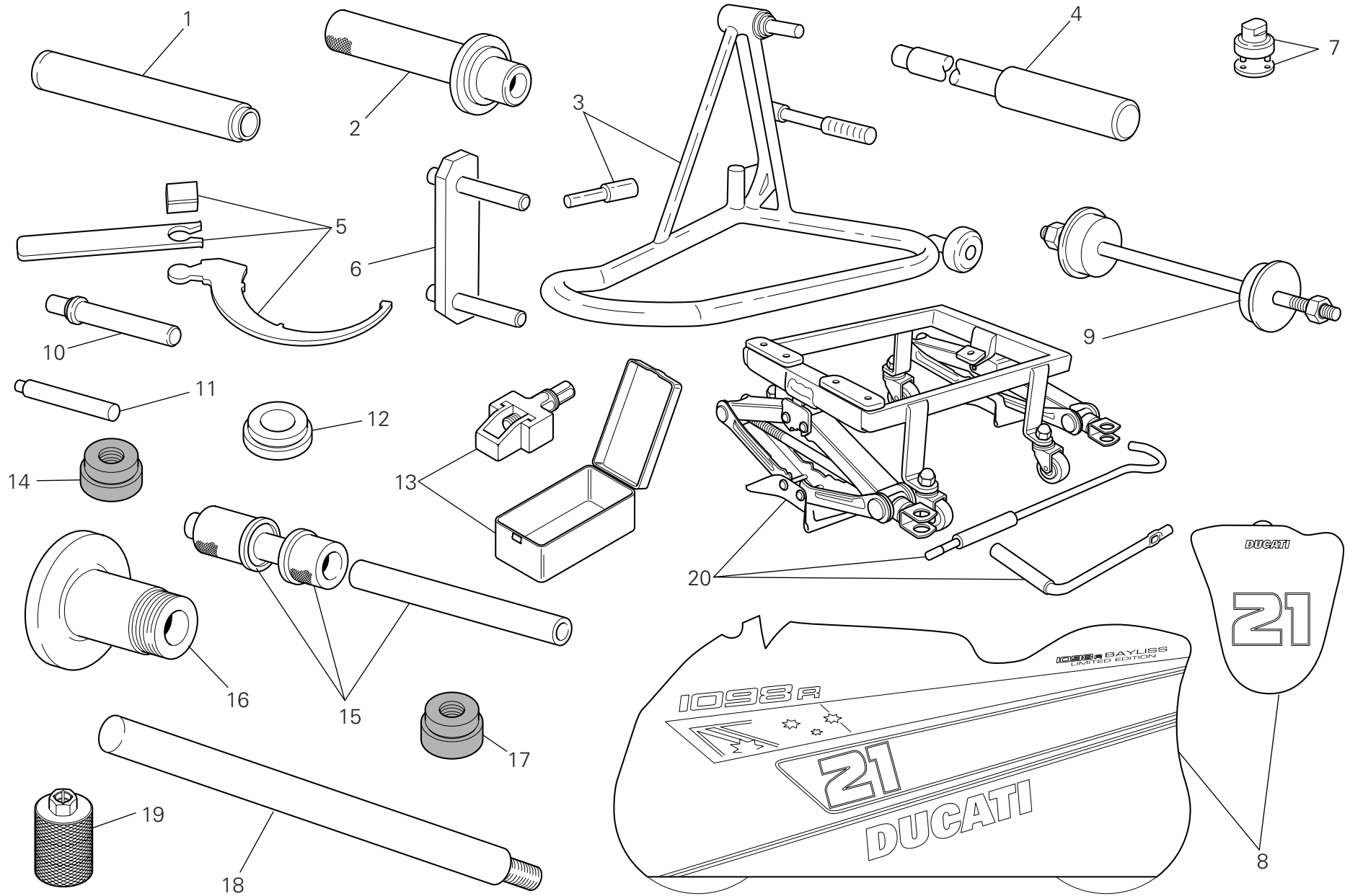
NOTES NO.	CODE NO.	DESCRIPTION	VALIDITY	Q.TY 
-----------	----------	-------------	----------	--

CATALOGUE No: 915.1.275.1H
ISSUED: 05 - 09CATALOGUE No: 915.1.275.1H
ISSUED: 05 - 09


DRAWING **001a** Workshop service tools

NOTES NO.	CODE NO.	DESCRIPTION	VALIDITY	Q.TY 	NOTES NO.	CODE NO.	DESCRIPTION	VALIDITY	Q.TY 
1	88713.2832	Wrench for tensioning mobile belt tensioner		1					
2	88713.1010	Union for exhaust gas suction		1					
3	88713.1805	Driving roller tightening tool		1					
4	88713.2102	Primary drive gear tightening tool		1					
5	88765.1518	Valve lift gauge		1					
6	88713.1806	Reaction tool for belt roller tightening		1					
7	88713.2011	Tool to hold crankshaft in TDC position		1					
8	88713.1920	Tool to fit O-rings onto stud bolts		1					
9	88713.1821	Wrench to tighten tensioning bolts		1					
10	88713.2870	Con-rod guiding tool		1					
11	88713.2060	Seal ring driving tool		1					
12	88765.1188	T.D.C. control gauge		1					
13	88713.1749	Drive roller puller		1					
14	88765.1609	Belt roller timing tool		1					
15	041.1.191.1A	Tool to fit valve collets		1					
16	88713.1980	Drift to drive retainers onto shafts		1					
17	88713.2834	Snap ring installation tool		1					
18	88713.2877	Spark plug tool		1					
19	88713.2861	Tool to fit seals on camshafts		1					
20	88713.3219	Reaction tool for belt roller tightening		1					

CATALOGUE No: 915.1.275.1H
ISSUED: 05 - 09CATALOGUE No: 915.1.275.1H
ISSUED: 05 - 09

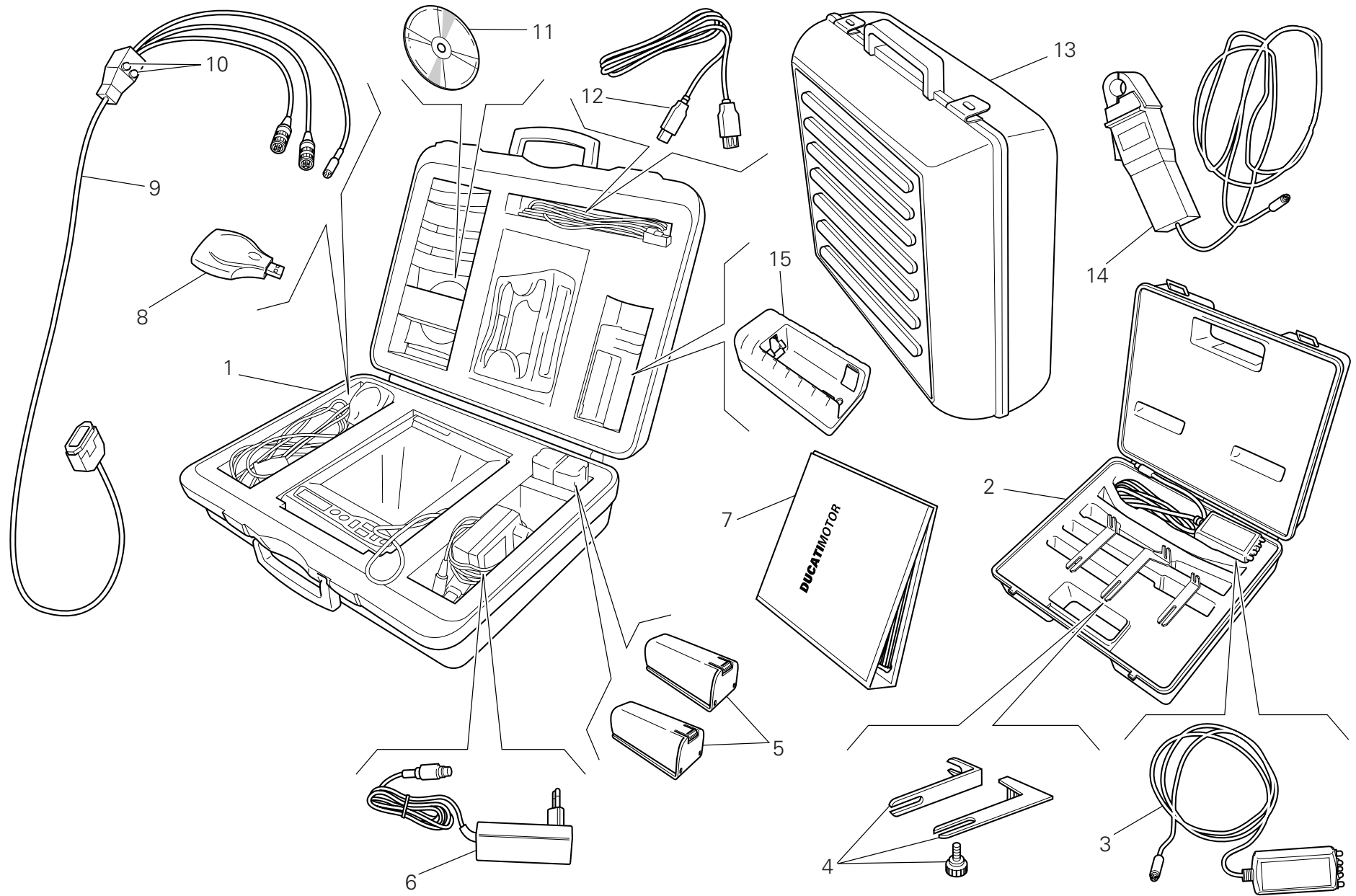


DRAWING **001b** Workshop service tools


NOTES NO.	CODE NO.	DESCRIPTION	VALIDITY	Q.TY 
1	88713.1072	Stopper for driving the half bearing of the steering head base		1
2	88713.1068	Stopper for assembling the rear fork roller bearings		1
3	967.5.720.7BA	Rear stand		1
4	88713.1074	Stopper for disassembling the swingarm pivot		1
5	88713.3211	Wrench for adjusting the eccentric hub		1
6	88713.1515	Frame/engine mount		1
7	88713.1058	Wrench for assembling the steering head cap		1
8	699.2.001.2A	Motrocycle's canvas cover + Pannier		1
9	88713.1062	Tool for assembling the steering head bearings		1
10	88713.1071	Stopper for assembling the rocker needle bearings		1
11	88713.1057	Stopper for inserting the steering damper bearing		1
12	88713.2856	Bar guide tool		1
13	88713.2562	Tool for assembling chain		1
14	88713.2857	Tool for removing the sliding bushings		1
15	88713.2409	Tool for assembling the swingarm ball bearings		1
16	88713.2951	Tool for balancing rear wheel		1
17	88713.2858	Tool for installing the sliding bushings		1
18	88713.2855	Bushing support bar		1
19	88713.2854	Bush for installing/removing the fork plug		1
20	88713.3220	Bench for engine repair		1

NOTES NO.	CODE NO.	DESCRIPTION	VALIDITY	Q.TY 
-----------	----------	-------------	----------	--

CATALOGUE No: 915.1.275.1H
ISSUED: 05 - 09CATALOGUE No: 915.1.275.1H
ISSUED: 05 - 09

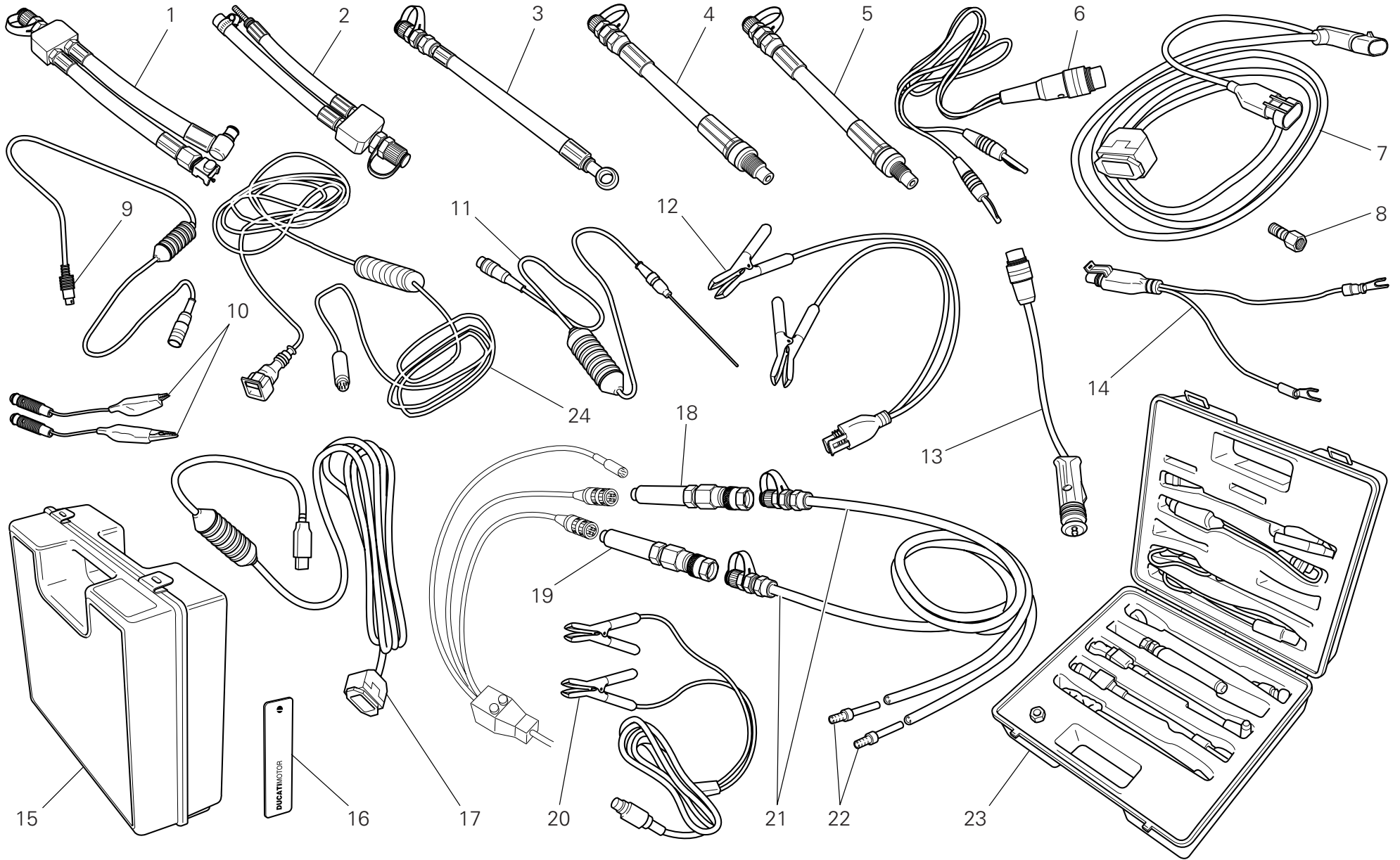


DRAWING **001c** Dds tester

NOTES NO.	CODE NO.	DESCRIPTION	VALIDITY	Q.TY 
1	97900.0215	DDS (Ducati Diagnosis System) + manifold vacuum meter. kit		1
2	97900.0002	Belt tensioning kit		1
3	88765.1371	Sensor		1
4	88765.1374	Bracket		1
5	97900.0216	Battery		2
6	97900.0224	Feeder		1
7	97900.0232	DDS manual		1
8	97900.0225	(USB) Memory card reader		1
9	97900.0222	Main cable 1060838		1
10	97900.0219	Fuse		2
11	97900.0223	Software DDS CD		1
12	97900.0226	(USB) Cable extension		1
13	97900.0229	Black case with sponge rubber		1
14	88765.1126V	Amperometer plier		1
15	97900.0217	Battery charger		1

NOTES NO.	CODE NO.	DESCRIPTION	VALIDITY	Q.TY 
-----------	----------	-------------	----------	--

CATALOGUE No: 915.1.275.1H
ISSUED: 05 - 09CATALOGUE No: 915.1.275.1H
ISSUED: 05 - 09



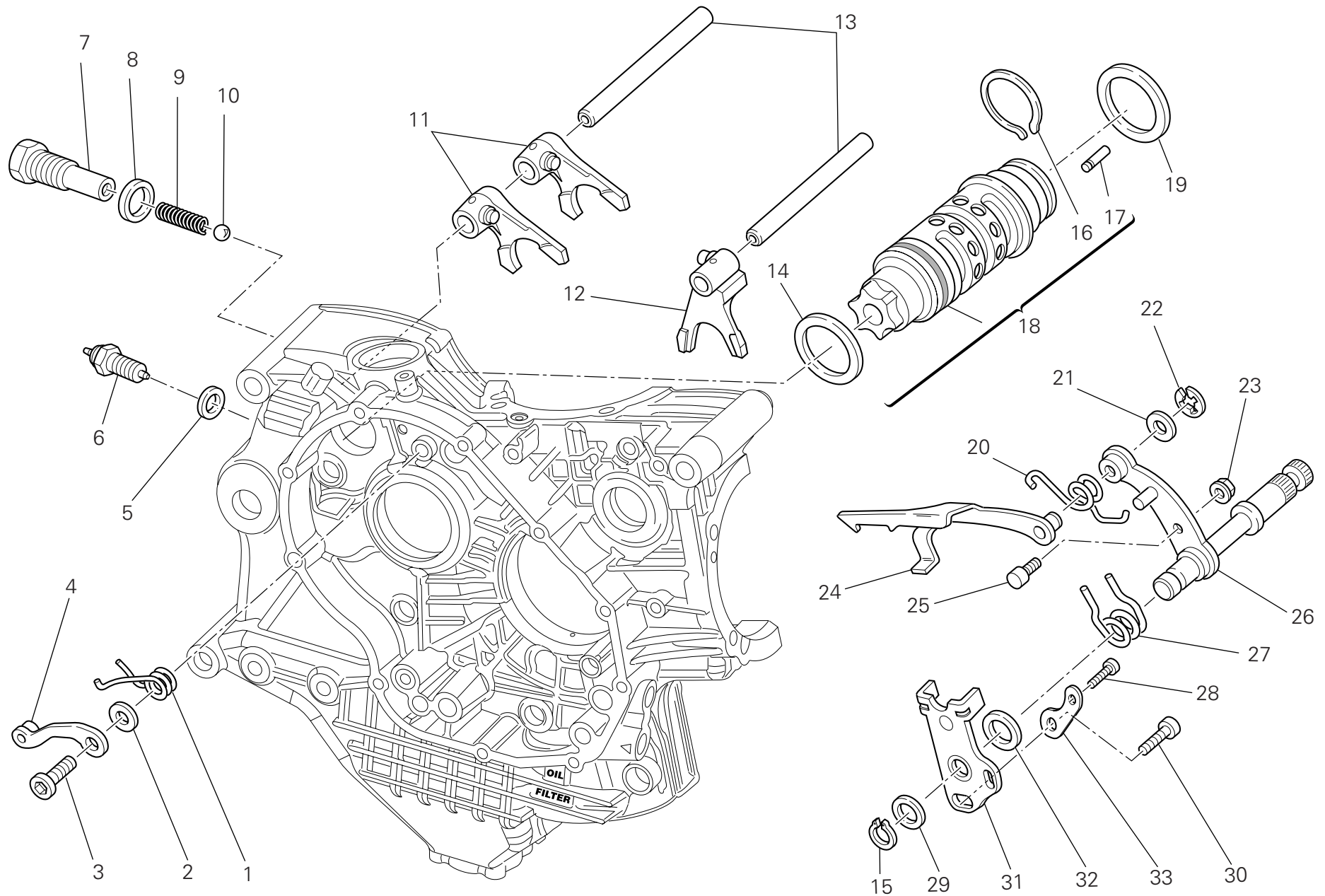
DRAWING **001d** Workshop service tools

NOTES NO.	CODE NO.	DESCRIPTION	VALIDITY	Q.TY 
1	590.1.189.1A	Fuel pressure line HS.		1
2	590.1.190.1A	Fuel pressure line ST/SS/M.		1
3	875.1.065.1A	Oil pressure line		1
4	552.1.037.1A	Fitting - cylinder compression M12		1
5	552.1.038.1A	Fitting - cylinder compression M10		1
6	514.1.037.1A	Cable Volt PF DUC 21		1
7	97900.0227	Main cable (MARELLI)		1
8	814.1.114.1A	Oil pressure fitting		1
9	514.1.032.1A	Cable for supplementary tests		1
10	514.1.035.1A	Red clamp cable		1
10	514.1.036.1A	Black clamp cable		1
11	552.1.040.1A	Temperature probe		1
12	97900.0228	Battery connection adapter		1
13	514.1.033.1A	Electric lighter connection adapter (ST)		1
14	514.1.038.1A	Battery connection adapter		1
15	698.1.033.1A	Red case with sponge rubber		1
16	88765.1126T	DUCATI sticker RH/LH side		2
17	97900.0231	(USB) Adaptor		1
18	97900.0218	Depressure sensor		1
19	552.1.039.1A	Pressure sensor		1
20	97900.0230	Feeder		1
21	97900.0220	Depressure/pressure line		2
22	97900.0221	Union		4
23	97900.0003	Pressure kit		1
24	88765.1126C	Cable for potentiometer adjustment		1

NOTES NO.	CODE NO.	DESCRIPTION	VALIDITY	Q.TY 
-----------	----------	-------------	----------	--

CATALOGUE No: 915.1.275.1H
ISSUED: 05 - 09


CATALOGUE No: 915.1.275.1H
ISSUED: 05 - 09



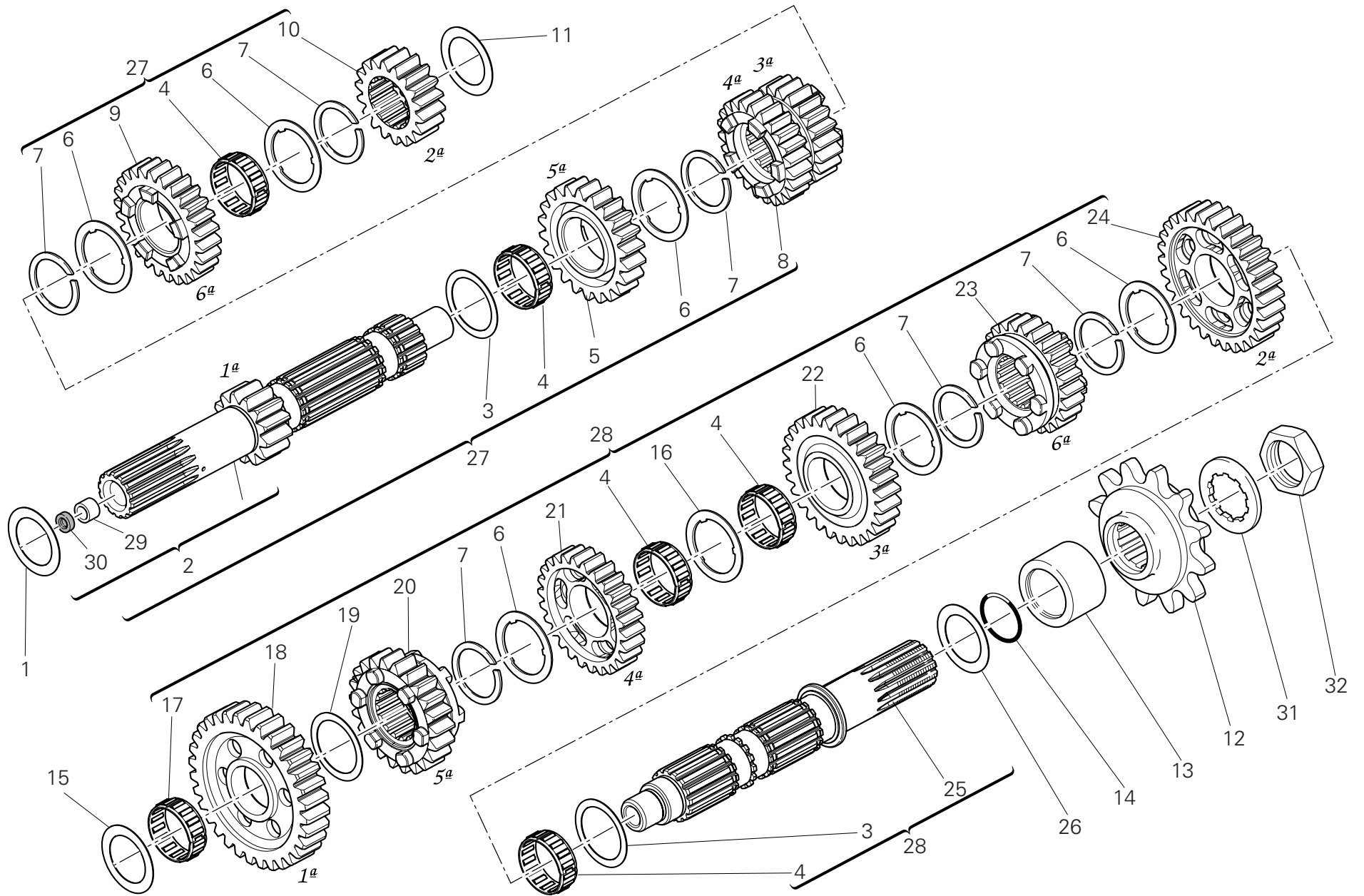
DRAWING **002** Gearchange control

NOTES NO.	CODE NO.	DESCRIPTION	VALIDITY	Q.TY 
1	799.1.049.1A	Return spring		1
2	852.1.053.2A	Washer		1
3	779.1.039.1A	Special screw		1
4	455.2.003.1A	Gear stopper assembly		1
5	852.5.024.1A	Gasket th.1		1
6	539.1.021.1B	Neutral indicator switch		1
7	779.1.203.3A	Special screw		1
8	0272.91.090	Gasket		1
9	0660.13.143	Gear selector spring		1
10	76835.1134	Ball		1
11	180.1.001.1A	1st,4th-2nd,3rd gear selector fork		2
12	180.1.002.1A	5th,6th gear selector fork		1
13	821.1.268.1A	Fork pin		2
14	852.1.005.1A	Shim th. 1		1
15	73500.1542	Circlip		1
16	882.1.006.1A	Needle retaining ring (square cross-section)		1
17	821.1.070.1A	Pin		6
18	182.2.030.3A	Complete gearbox drum		1
19	852.1.094.1A	Shim th. 0.9		1
20	799.1.482.1A	Fork return spring		1
21	0400.09.050	Shim th. 0.5		1
21	0765.92.205	Shim th. 0.2		2
22	884.5.034.1A	Ring		1
23	748.1.040.1A	Nut		1
24	180.1.008.1A	Gearbox drum control fork		1
25	0660.13.165	Gearchange lever pin		1
26	821.1.001.1A	Pin with gearchange lever		1

CATALOGUE No: 915.1.275.1H
ISSUED: 05 - 09

NOTES NO.	CODE NO.	DESCRIPTION	VALIDITY	Q.TY 
27	0799.13.110	Gearchange lever return spring		1
28	771.5.067.0Z	Screw		1
29	0400.29.125	Shim th. 0.2		2
29	0400.29.126	Shim th. 0.5		1
30	771.5.125.0Z	Screw		1
31	826.1.030.1A	Stopper plate		1
32	881.1.012.1A	Centering ring		1
33	713.1.915.1A	Spacer		1

CATALOGUE No: 915.1.275.1H
ISSUED: 05 - 09




DRAWING **003**

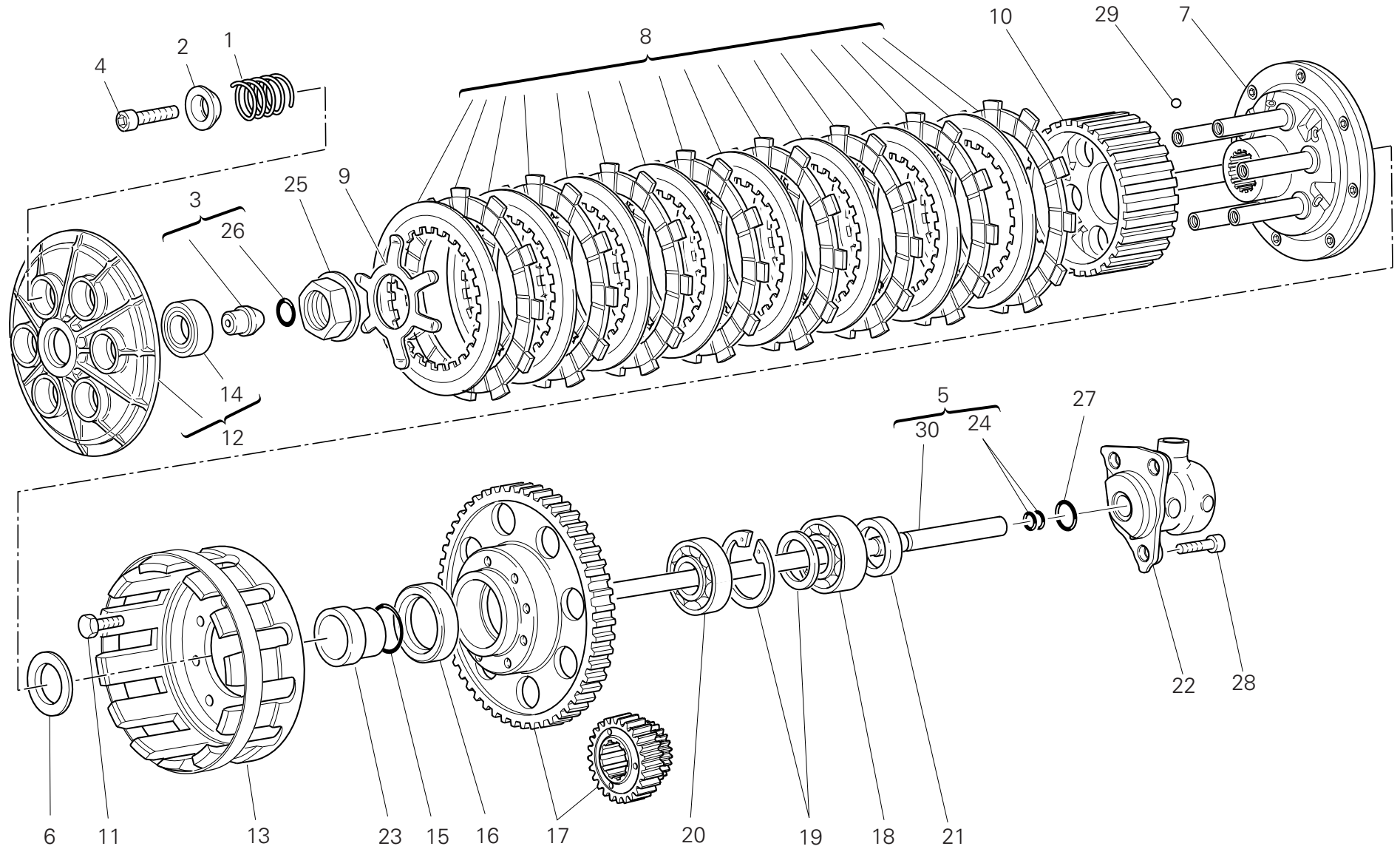
Gearbox

NOTES NO.	CODE NO.	DESCRIPTION	VALIDITY	Q.TY 
1	0251.47.054	Shim th. 1.2		1
2	150.2.133.1A	Gearbox main shaft		1
3	0670.16.150	Shim th. 0.5		2
4	701.4.005.1A	Needle bearing		5
5	172.1.299.3A	Driving gear 5th sp.		1
6	856.1.137.2A	Grooved washer		6
7	882.1.015.1A	Snap ring		6
8	172.1.298.3A	Driving gear 3rd/4th sp.		1
9	172.1.300.3A	Driving gear 6th sp.		1
10	172.1.297.1A	Driving gear 2nd sp.		1
11	713.1.014.1E	Shim th. 1.6		1
12	449.1.053.1A	Chain sprocket		1
13	713.1.393.1A	Spacer		1
14	463.2.053.7A	O-ring		1
15	713.1.266.1A	Spacer th. 3,15		1
16	856.1.031.1A	Grooved washer th. 0.5		1
17	76402.0002	Needle bearing		1
18	172.1.301.1A	Driven gear 1st sp.		1
19	0670.16.155	Shim th. 1		1
20	172.1.305.1A	Driven gear 5th sp.		1
21	172.1.304.3A	Driven gear 4th sp.		1
22	172.1.303.3A	Driven gear 3rd sp.		1
23	172.1.306.1A	Driven gear 6th sp.		1
24	172.1.302.3A	Driven gear 2nd sp.		1
25	149.1.079.1A	Gearbox lay shaft		1
26	0670.16.170	Shim th. 0.8		1
27	150.2.134.3A	Complete main shaft		1

CATALOGUE No: 915.1.275.1H
ISSUED: 05 - 09

NOTES NO.	CODE NO.	DESCRIPTION	VALIDITY	Q.TY 
28	150.2.135.3A	Complete lay shaft		1
29	702.5.044.1A	Needle bearing		1
30	930.4.002.2A	Seal ring		1
31	851.1.004.1A	Lock washer		1
32	750.1.007.1A	Nut		1


CATALOGUE No: 915.1.275.1H
ISSUED: 05 - 09



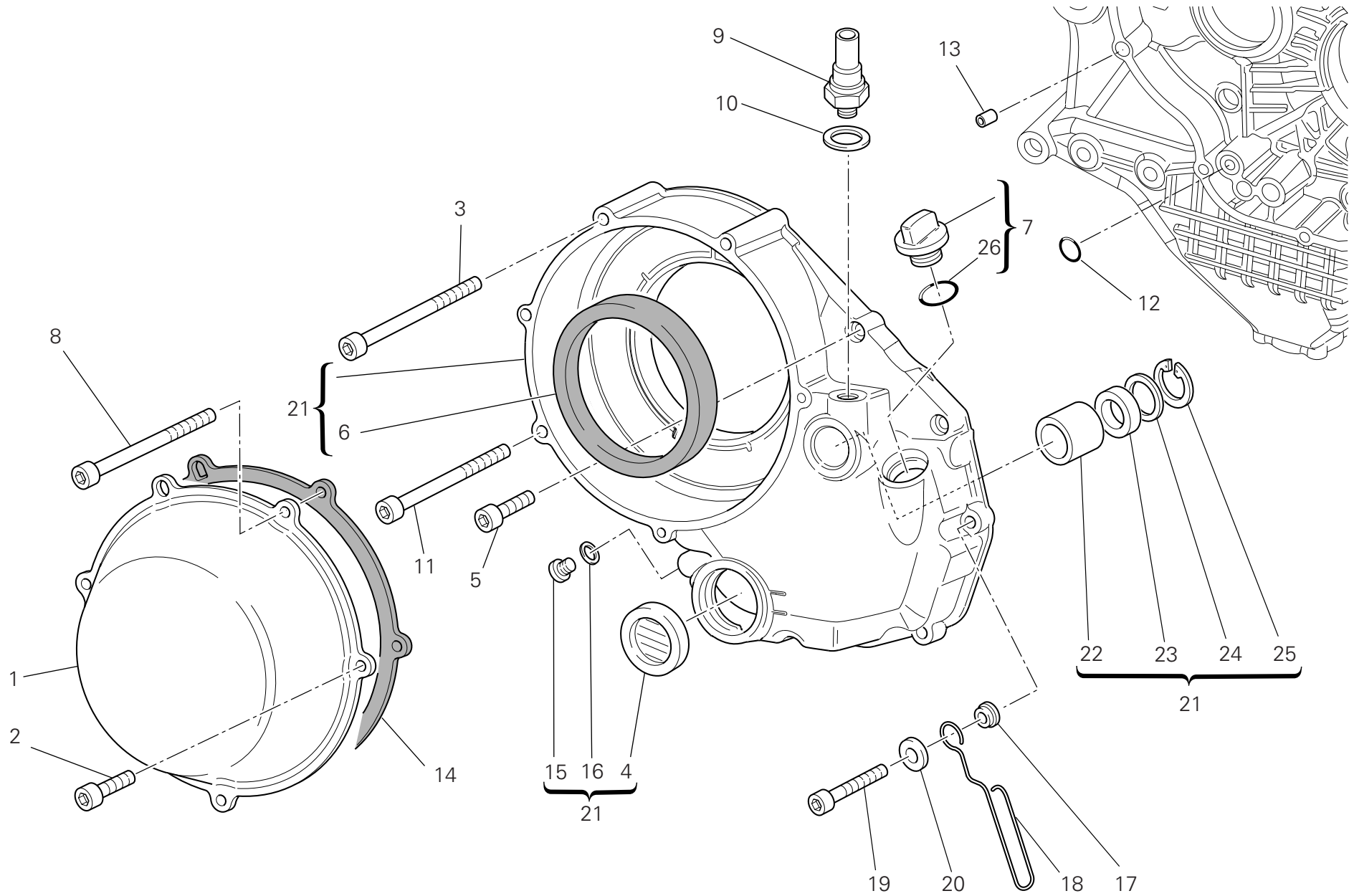
DRAWING **004** Clutch

NOTES NO.	CODE NO.	DESCRIPTION	VALIDITY	Q.TY 
1	799.1.492.1A	Clutch spring		6
2	841.1.056.1A	Retainer		6
3	818.2.009.1A	Clutch control pin		1
4	771.5.043.8B	Screw		6
5	117.2.006.1A	Clutch control rod		1
6	799.1.051.2A	Spring washer		1
7	160.2.397.1A	Flange		1
8	190.2.019.1A	Clutch plates set		1
9	799.1.066.1B	Clutch spring		1
10	196.1.050.1A	Clutch drum		1
11	70610.8120	Screw		8
12	194.2.049.1A	Pressure plate assembly		1
13	198.1.029.1A	Clutch housing		1
14	702.5.053.1A	Bearing		1
15	463.2.053.7A	O-ring		1
16	930.4.035.1A	Seal ring		1
17	170.2.109.1A	Clutch/crankshaft gears pair		1
18	702.5.051.1A	Bearing		1
19	881.2.001.1A	Circlip - spacer		1
20	702.4.017.1A	Bearing		1
21	0660.16.145	Spacer		1
22	195.4.003.1A	Piston assembly		1
23	713.1.095.1A	Spacer		1
24	93823.2018	O-ring		2
25	750.1.127.1A	Nut		1
26	886.4.118.1A	O-Ring		1
27	886.4.043.1A	O-ring		1

CATALOGUE No: 915.1.275.1H
ISSUED: 05 - 09

NOTES NO.	CODE NO.	DESCRIPTION	VALIDITY	Q.TY 
28	771.5.065.2BB	Screw		3
29	847.1.002.1A	Ball		6
30	117.2.099.1A	Clutch control rod		1

CATALOGUE No: 915.1.275.1H
ISSUED: 05 - 09

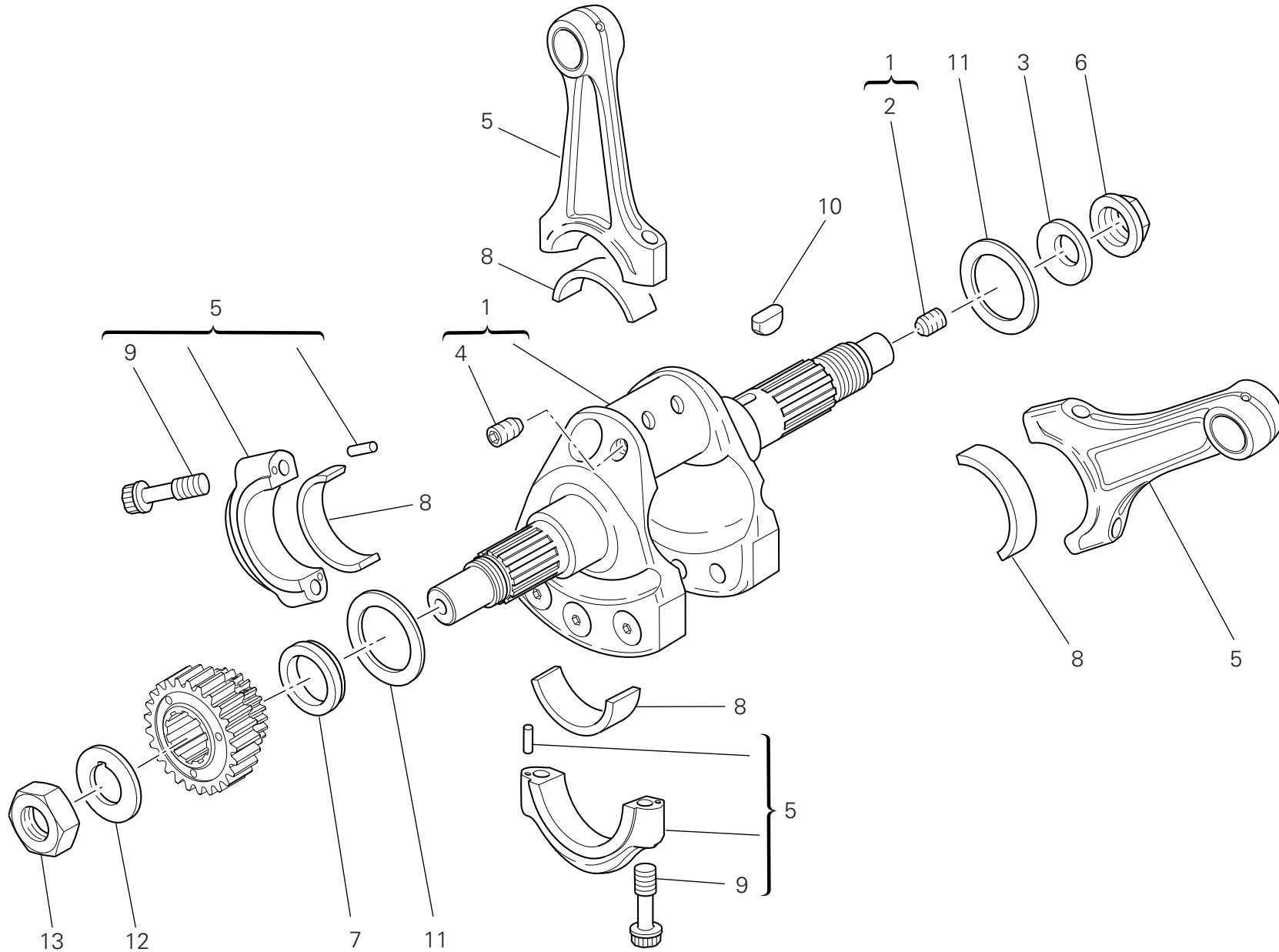


DRAWING **005** Clutch-side crankcase cover


NOTES NO.	CODE NO.	DESCRIPTION	VALIDITY	Q.TY 
1	243.1.025.1AF	Clutch protection cover		1
2	771.1.026.1A	Screw		2
3	771.5.078.3B	Screw		1
4	254.4.001.2A	Oil level sight glass		1
5	771.5.069.8B	Screw		6
6	930.4.034.1A	Ring		1
7	893.2.013.1A	Complete cap		1
8	771.1.027.1A	Screw		2
9	539.4.030.2A	Engine oil pressure sensor		1
10	852.1.195.1A	Gasket th.2		1
11	771.5.079.3B	Screw		1
12	886.4.132.1A	O-ring		1
13	711.1.160.1A	Locating bush		1
14	788.1.052.2A	Clutch cover gasket		1
15	780.5.001.1A	Cap		1
16	852.5.024.1A	Gasket th.1		1
17	713.1.365.1A	Spacer		1
18	758.1.041.2A	Fairlead		1
19	771.5.072.8B	Screw		1
20	852.1.176.1A	Washer		1
21	243.2.115.1AB	Cover clutch side		1
22	0665.49.680	Bush		1
23	930.4.021.1A	Seal ring		1
24	852.1.135.1A	Shim th. 1		1
25	884.5.013.1A	Circlip		1
26	93823.3075	O-Ring		1

NOTES NO.	CODE NO.	DESCRIPTION	VALIDITY	Q.TY 
-----------	----------	-------------	----------	--

CATALOGUE No: 915.1.275.1H
ISSUED: 05 - 09CATALOGUE No: 915.1.275.1H
ISSUED: 05 - 09



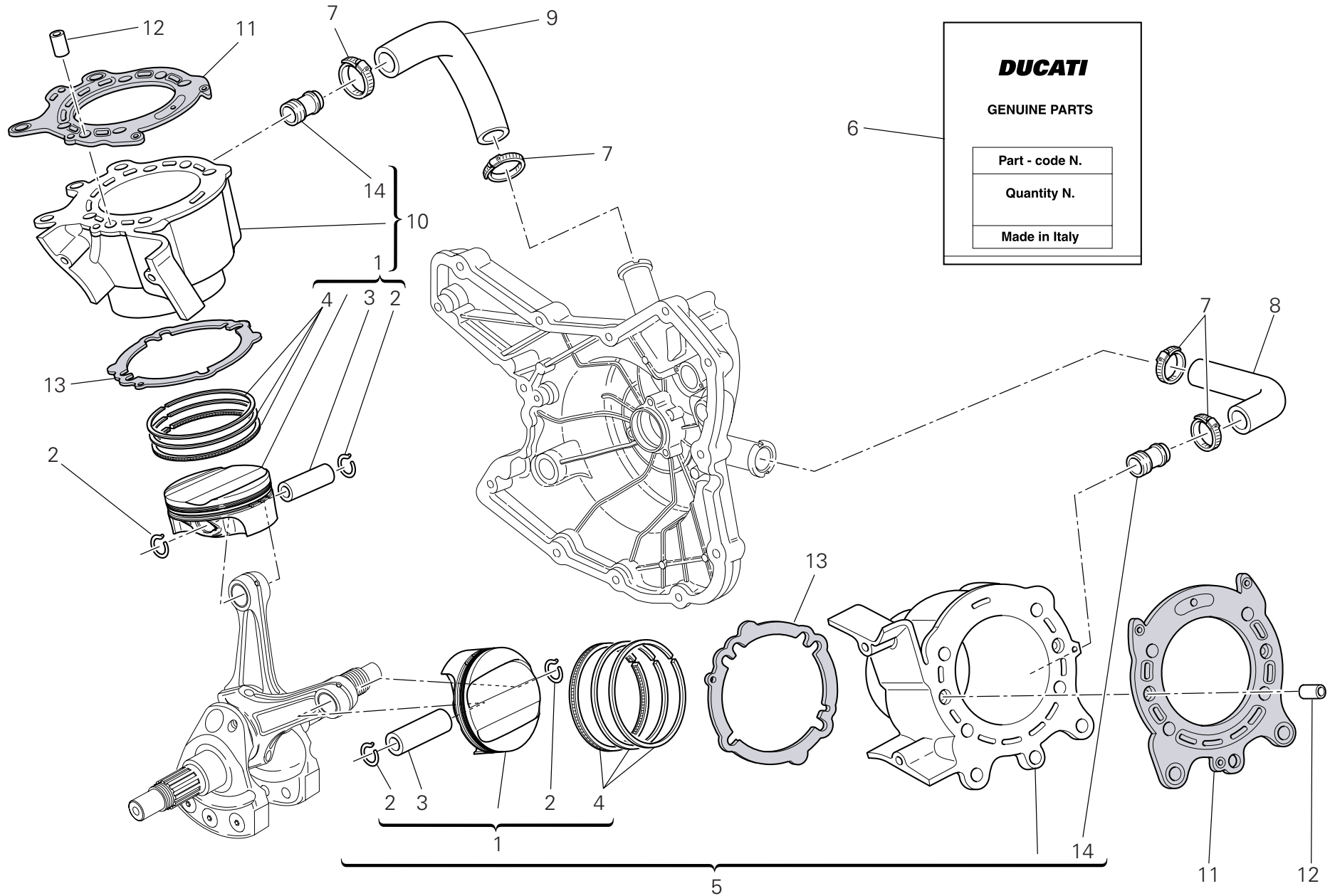
DRAWING **006** Connecting rods

NOTES NO.	CODE NO.	DESCRIPTION	VALIDITY	Q.TY 
1	146.2.150.1B	Crankshaft		1
2	779.1.109.2A	Special screw		1
3	799.1.051.2A	Spring washer		1
4	779.1.547.1A	Special screw		2
5	156.2.062.1B	Complete connecting rod		2
6	750.1.012.2A	Nut		1
7	710.1.061.1A	Spacer		1
8	112.1.012.1AD	Half-bearing (BLACK)		4
8	112.1.012.1AE	Half-bearing (GREEN)		4
9	779.1.114.1A	Special screw		4
10	680.1.013.1A	Woodruff key		1
11	852.1.104.2A	Shim th. 1.9		2
11	852.1.104.2B	Shim th. 1.95		2
11	852.1.104.1H	Shim th. 2.25		2
11	852.1.104.1K	Shim th. 2,4		2
11	852.1.104.1L	Shim th. 2,45		2
11	852.1.104.1M	Shim th. 2.5		2
11	852.1.104.1N	Shim th. 2.55		2
11	852.1.104.2C	Shim th. 2		2
11	852.1.104.2D	Shim th. 2,05		2
11	852.1.104.2E	Shim th. 2,1		2
11	852.1.104.2F	Shim th. 2,15		2
11	852.1.104.2G	Shim th. 2.2		2
11	852.1.104.2I	Shim th. 2.3		2
11	852.1.104.2J	Shim th. 2.35		2
12	851.1.010.1A	Lock washer		1
13	750.1.057.1A	Nut		1


NOTES NO.	CODE NO.	DESCRIPTION	VALIDITY	Q.TY 
-----------	----------	-------------	----------	--

CATALOGUE No: 915.1.275.1H
ISSUED: 05 - 09

CATALOGUE No: 915.1.275.1H
ISSUED: 05 - 09



DRAWING **007** Cylinders - pistons


NOTES NO.	CODE NO.	DESCRIPTION	VALIDITY	Q.TY 
1	122.2.158.4A	Complete piston		2
2	121.1.248.1A	Piston pin circlip		4
3	121.1.078.1B	Piston pin		2
4	121.2.048.1B	Piston rings set		2
5	120.2.170.1A	Cylinder-piston fit (horizontal)		1
6	791.2.047.1A	Gaskets set		1
7	741.4.181.1A	Clamp		4
8	800.1.123.1A	Horizontal cylinder water inlet hose		1
9	800.1.122.1A	Vertical cylinder water inlet hose		1
10	120.2.171.1A	Cylinder-piston fit (vertical)		1
11	786.1.100.1A	Head-cylinder gasket		2
12	711.1.219.1A	Bush		4
13	786.1.094.1A	Cylinder-crankcase gasket		2
14	668.1.001.4A	Water pump delivery filler		2

NOTES NO.	CODE NO.	DESCRIPTION	VALIDITY	Q.TY 
-----------	----------	-------------	----------	--

CATALOGUE No: 915.1.275.1H
ISSUED: 05 - 09CATALOGUE No: 915.1.275.1H
ISSUED: 05 - 09

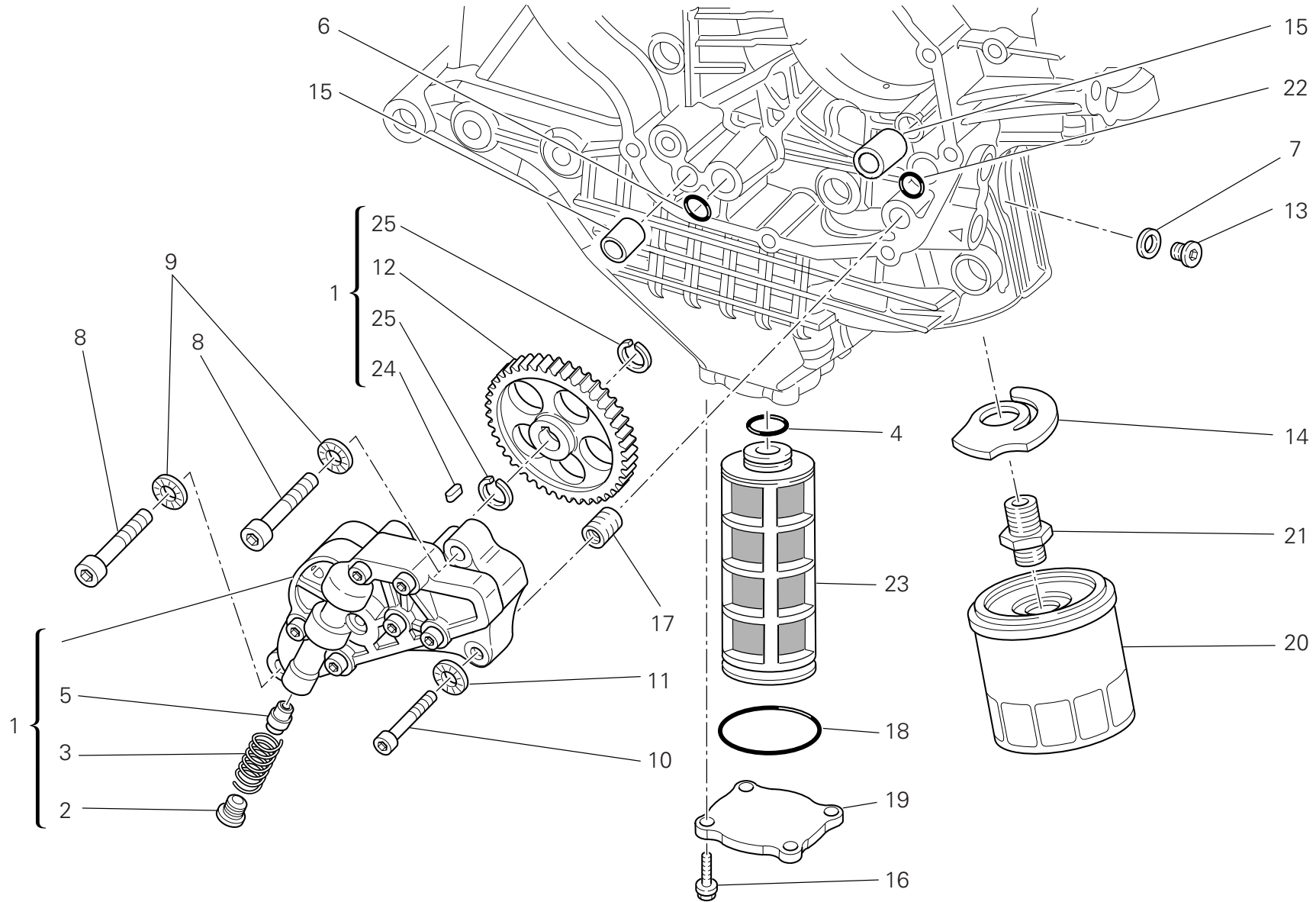
DRAWING **008** Timing system

NOTES NO.	CODE NO.	DESCRIPTION	VALIDITY	Q.TY 
1	245.1.111.1A	Vertical timing belt cover (CARBON)		1
2	245.1.110.1A	Horizontal timing belt cover (CARBON)		1
3	147.1.014.2A	Timing lay shaft		1
4	451.1.044.1A	Tensioner roller pin		2
5	737.4.025.1A	Timing drive toothed belt		2
6	771.1.049.1A	Screw		13
7	749.4.008.1A	Nut		2
8	852.1.174.1A	Washer		2
9	451.1.018.2A	Fixed tensioner bush		2
10	702.4.058.1A	Bearing		4
11	882.1.003.1A	Snap ring		1
12	680.1.013.1A	Woodruff key		3
13	171.Z.003.1A	Timing gears pair		1
14	851.1.013.1A	Lock washer		1
15	0124.40.060	Hexagon nut		1
16	451.1.043.1A	Tensioner eccentric		2
17	716.1.128.1A	Spacer		1
18	255.1.010.4B	Timing belt roller		2
19	856.1.062.2A	Belt roller separating washer		1
20	716.1.072.2A	Spacer		1
21	703.5.006.2A	Elastic-stop ring nut		1
22	451.1.017.1A	Fixed tensioner roller pin		2
23	779.1.187.1A	Setscrew		2
24	713.1.409.1A	Spacer		2
25	451.1.047.1A	Movable tensioner roller bush		2
26	73503.3804	Circlip		4
27	73500.2054	Snap ring		2


NOTES NO.	CODE NO.	DESCRIPTION	VALIDITY	Q.TY 
28	245.2.112.1A	Filter box mount		1

CATALOGUE No: 915.1.275.1H
ISSUED: 05 - 09

CATALOGUE No: 915.1.275.1H
ISSUED: 05 - 09

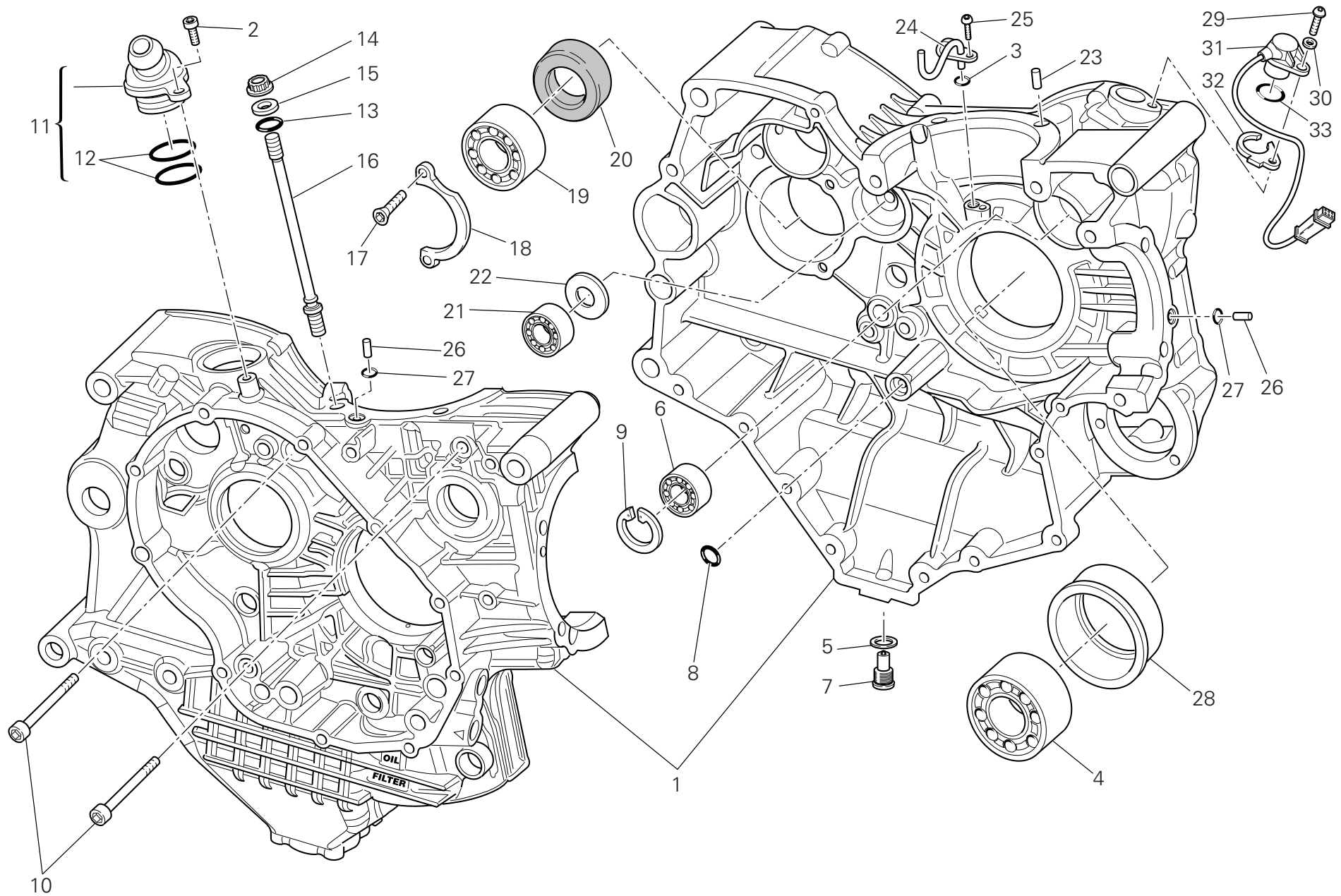


DRAWING **009** Filters and oil pump

NOTES NO.	CODE NO.	DESCRIPTION	VALIDITY	Q.TY 
1	174.2.038.1A	Complete oil pump		1
2	780.1.018.1A	Bypass cap		1
3	799.1.055.1A	Bypass spring		1
4	886.4.033.1A	O-ring		1
5	593.1.018.1A	Bypass valve		1
6	886.4.037.1A	O-Ring		1
7	852.1.195.1A	Gasket th.2		1
8	771.5.129.8B	Screw		2
9	852.1.174.1A	Washer		2
10	771.5.069.8B	Screw		1
11	852.1.172.1A	Washer		1
12	174.1.038.1A	Pump drive gear		1
13	779.1.162.2A	Cap		1
14	799.2.077.2A	Bypass spring		1
15	0759.49.280	Locating bush		2
16	772.1.060.1A	Screw		4
17	0670.49.310	Reduction bush		1
18	886.4.034.1A	O-ring		1
19	247.1.290.1A	Cover		1
20	444.4.017.1A	Oil filter cartridge		1
21	815.1.028.1A	Nipple		1
22	886.4.132.1A	O-ring		1
23	894.1.020.1A	Oil net filter		1
24	680.1.001.1B	Woodruff key		1
25	884.5.039.1A	Circlip		2

NOTES NO.	CODE NO.	DESCRIPTION	VALIDITY	Q.TY 
-----------	----------	-------------	----------	--


CATALOGUE No: 915.1.275.1H
ISSUED: 05 - 09CATALOGUE No: 915.1.275.1H
ISSUED: 05 - 09



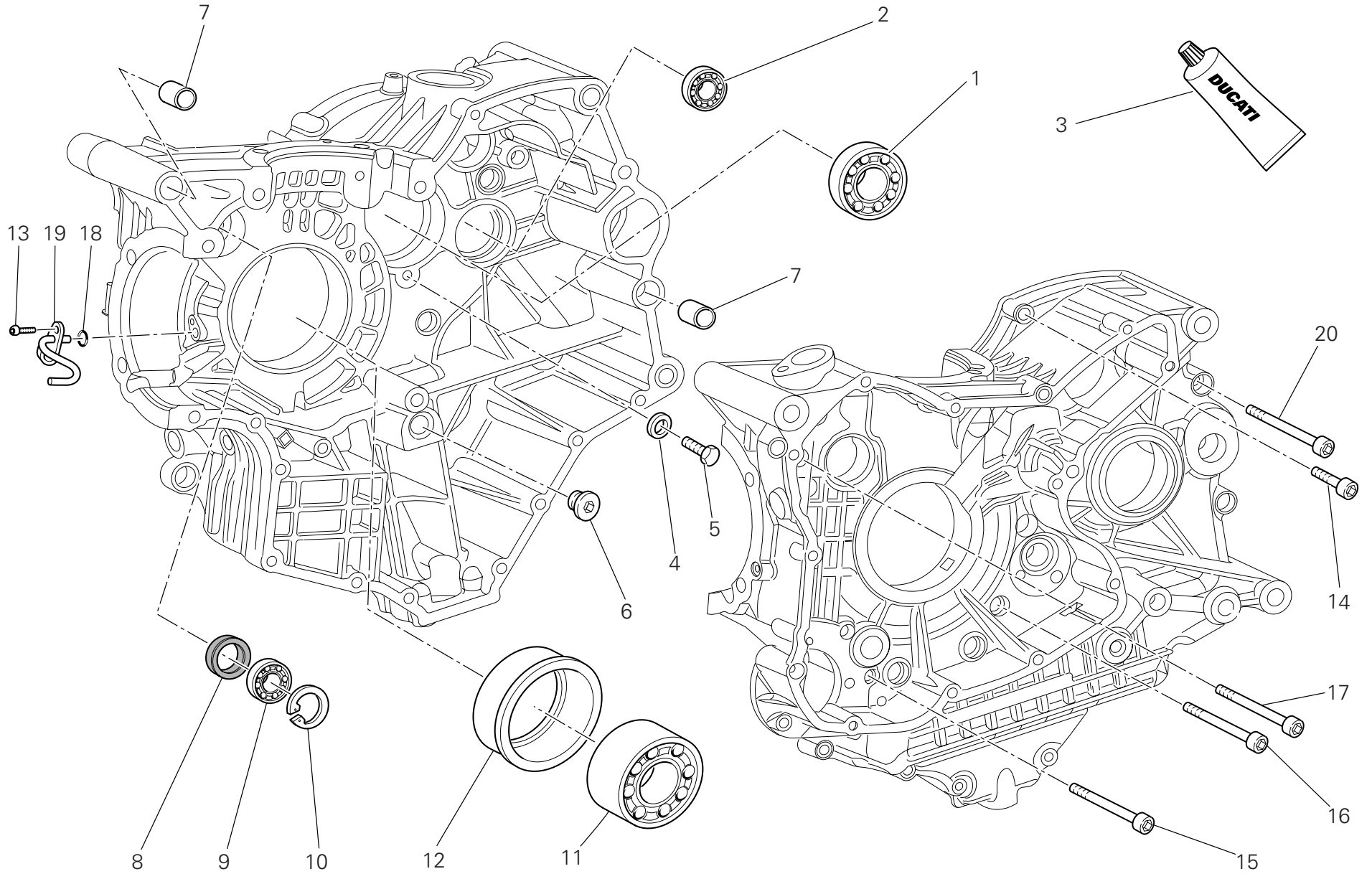
DRAWING **010** Crankcase halves

NOTES NO.	CODE NO.	DESCRIPTION	VALIDITY	Q.TY 
1	225.2.220.1B	Complete half-crankcases pair		1
2	771.5.065.8B	Screw		1
3	886.5.013.1A	O-Ring		1
4	75191.3380	Bearing		1
5	852.5.042.1A	Copper gasket sp. 1,5		1
6	702.5.008.1A	Bearing		1
7	893.2.006.2A	Cap		1
8	886.4.132.1A	O-ring		1
9	73503.3380	Circlip		1
10	771.5.139.8B	Screw		2
11	593.2.042.1A	Breather valve		1
12	463.2.022.2A	O-Ring		2
13	886.4.118.1A	O-Ring		8
14	748.1.050.1A	Nut		8
15	856.1.064.2A	Special washer		8
16	766.1.055.2B	Stud bolt for fastening head cylinder		8
17	72094.1616	Screw		2
18	826.1.012.1A	Keep plate		1
19	702.4.013.1A	Bearing		1
20	930.4.022.1A	Seal ring		1
21	702.4.033.1A	Bearing		1
22	0370.49.250	Washer		1
23	860.1.004.1A	Locating dowel		2
24	875.1.146.1A	Jet		1
25	775.1.031.1B	Screw		1
26	860.1.005.1A	Locating dowel		2
27	886.1.024.1A	O-Ring		2

CATALOGUE No: 915.1.275.1H
ISSUED: 05 - 09

NOTES NO.	CODE NO.	DESCRIPTION	VALIDITY	Q.TY 
28	710.1.125.1A	Bearing holder bush		1
29	775.5.021.1A	Screw		1
30	853.1.003.1A	Spring washer		1
31	552.4.132.1A	Rpm/timing sensor		1
32	788.1.103.1AA	Gasket th.0,6		1
33	886.4.033.1A	O-ring		1

CATALOGUE No: 915.1.275.1H
ISSUED: 05 - 09



DRAWING **010a** Crankcase halves

NOTES NO.	CODE NO.	DESCRIPTION	VALIDITY	Q.TY 
1	702.5.019.1A	Bearing		1
2	702.4.033.1A	Bearing		1
3	94247.0014	Fluid sealant		1
4	713.1.140.1A	Spacer		2
5	770.5.250.8B	Screw		2
6	780.1.005.1A	Cap		1
7	711.1.095.1A	Bush		2
8	930.4.123.1A	Seal ring		1
9	75794.1542	Bearing		1
10	73503.3380	Circlip		1
11	702.4.020.1A	Bearing		1
12	710.1.126.1A	Bearing holder bush		1
13	775.1.031.1B	Screw		1
14	771.5.072.8B	Screw		8
15	771.5.080.8B	Screw		2
16	779.1.029.2A	Special screw		1
17	771.5.139.8B	Screw		2
18	886.5.013.1A	O-Ring		1
19	875.1.146.1A	Jet		1
20	771.5.136.8B	Screw		2

NOTES NO.	CODE NO.	DESCRIPTION	VALIDITY	Q.TY 
-----------	----------	-------------	----------	--


CATALOGUE No: 915.1.275.1H
ISSUED: 05 - 09CATALOGUE No: 915.1.275.1H
ISSUED: 05 - 09

DRAWING 011

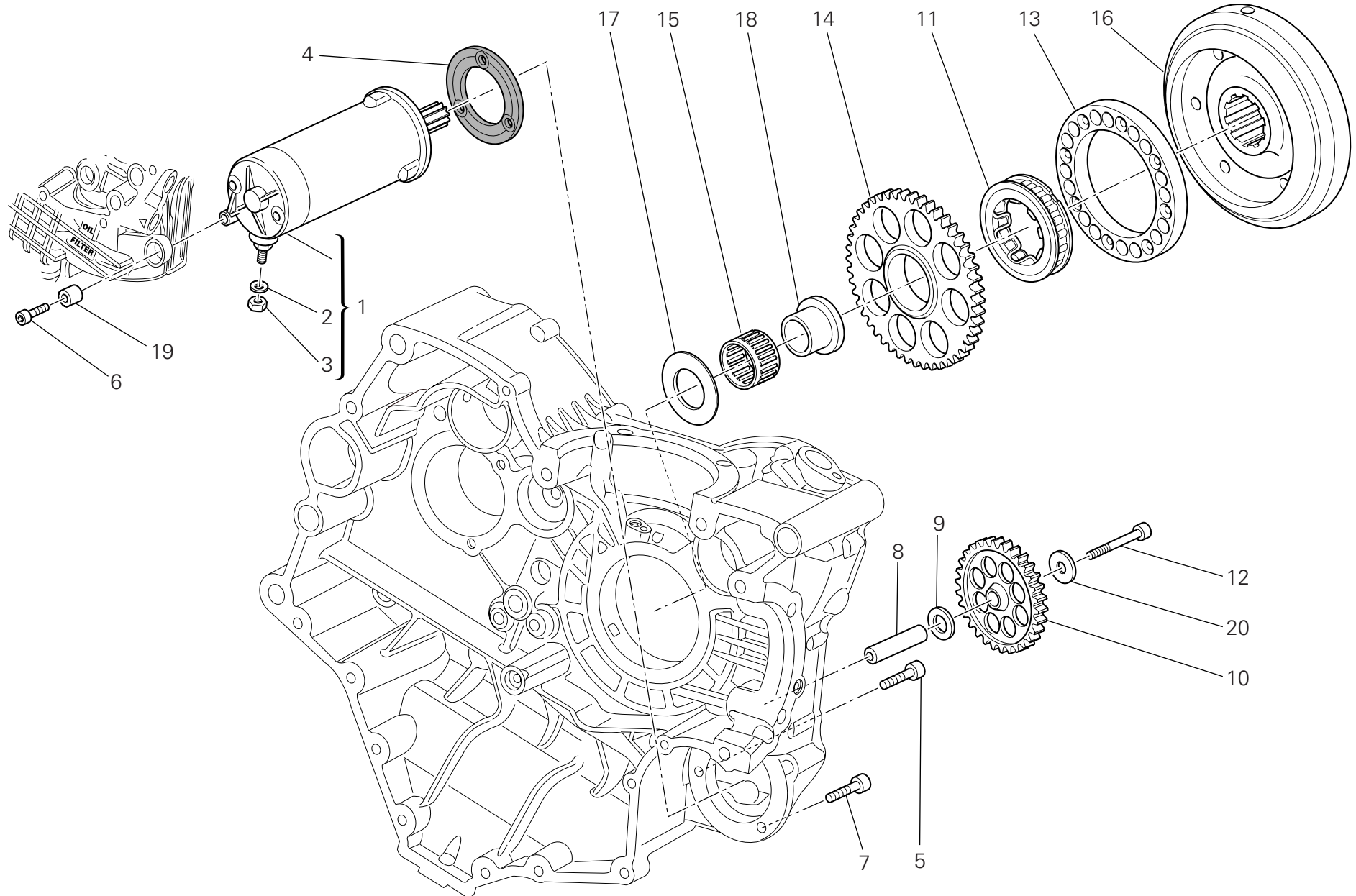
Water pump-altr-side crnksc cover

NOTES NO.	CODE NO.	DESCRIPTION	VALIDITY	Q.TY 
1	264.4.017.1A	Generator		1
2	852.1.176.1A	Washer		1
3	771.5.067.8B	Screw		2
4	702.5.008.1A	Bearing		1
5	771.5.064.8B	Screw		2
6	770.5.250.8B	Screw		2
7	852.1.172.1A	Washer		2
8	884.5.011.1A	A 10 Ring		1
9	702.4.010.2A	Bearing		1
10	779.1.026.2A	Screw		1
11	702.4.009.1A	Bearing		1
12	94247.0014	Fluid sealant		1
13	242.2.074.1AB	Generator cover		1
14	711.1.160.1A	Locating bush		2
15	771.5.071.8B	Screw		5
16	668.1.001.4A	Water pump delivery filler		2
17	73503.3380	Circlip		1
18	93783.1524	Seal ring		1
19	771.5.069.8B	Screw		8
20	771.5.066.8B	Screw		4
21	860.1.004.1A	Locating dowel		2
22	886.1.095.1A	O-ring		1
23	247.1.305.1AG	Cover		1
24	777.5.049.8B	Screw		2
25	852.5.026.1A	Aluminium gasket th.1,5		1
26	930.5.005.1A	Seal		1
27	713.1.128.1B	Spacer		1

CATALOGUE No: 915.1.275.1H
ISSUED: 05 - 09

NOTES NO.	CODE NO.	DESCRIPTION	VALIDITY	Q.TY 
28	930.5.006.2B	Mechanical seal		1
29	251.2.008.1A	Water pump fan		1
30	852.5.023.1A	Gasket		1
31	247.2.130.1AC	Complete water pump cover		1
32	852.5.024.1A	Gasket th.1		1
33	780.5.001.1A	Cap		1
34	852.1.114.1A	Washer		1
35	830.1.235.1A	Bracket		1
36	881.1.051.1A	Holder		1
37	779.4.075.1A	Screw		8
38	771.1.051.8B	Screw		1
39	713.1.365.1A	Spacer		1
40	771.5.072.8B	Screw		1

CATALOGUE No: 915.1.275.1H
ISSUED: 05 - 09

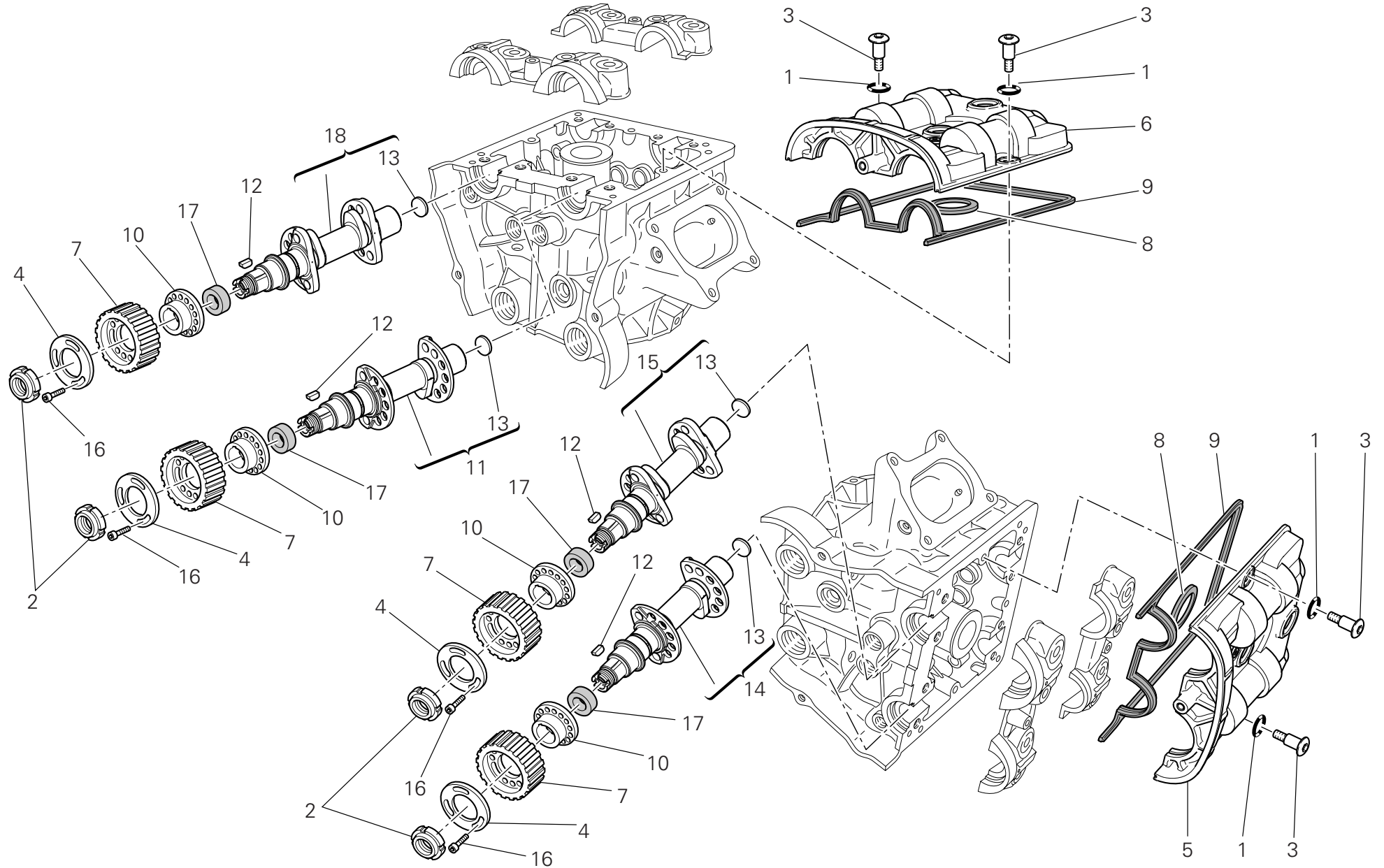


DRAWING **012** Electric starting and ignition


NOTES NO.	CODE NO.	DESCRIPTION	VALIDITY	Q.TY 
1	270.4.010.1A	Complete starter motor		1
2	853.1.003.1A	Spring washer		1
3	750.1.121.1A	Nut		1
4	788.1.054.2A	Starter motor gasket		1
5	771.1.049.1A	Screw		2
6	771.1.052.1A	Screw		1
7	771.5.069.8B	Screw		1
8	821.1.279.1A	Intermediate gear pin		1
9	856.1.071.1A	Washer		1
10	176.1.020.1A	Intermediate gear assembly		1
11	701.4.023.1A	Starter clutch		1
12	771.1.027.1A	Screw		1
13	160.1.370.1A	Flange		1
14	173.1.022.1A	Electric starter driven gear		1
15	702.4.018.1A	Needle bearing		1
16	276.1.038.2A	Ignition flywheel		1
17	856.1.075.1A	Shim		1
18	881.1.034.1A	Inner ring		1
19	700.1.036.1A	Flexible bush		1
20	856.1.121.1B	Washer		1

NOTES NO.	CODE NO.	DESCRIPTION	VALIDITY	Q.TY 
-----------	----------	-------------	----------	--

CATALOGUE No: 915.1.275.1H
ISSUED: 05 - 09CATALOGUE No: 915.1.275.1H
ISSUED: 05 - 09



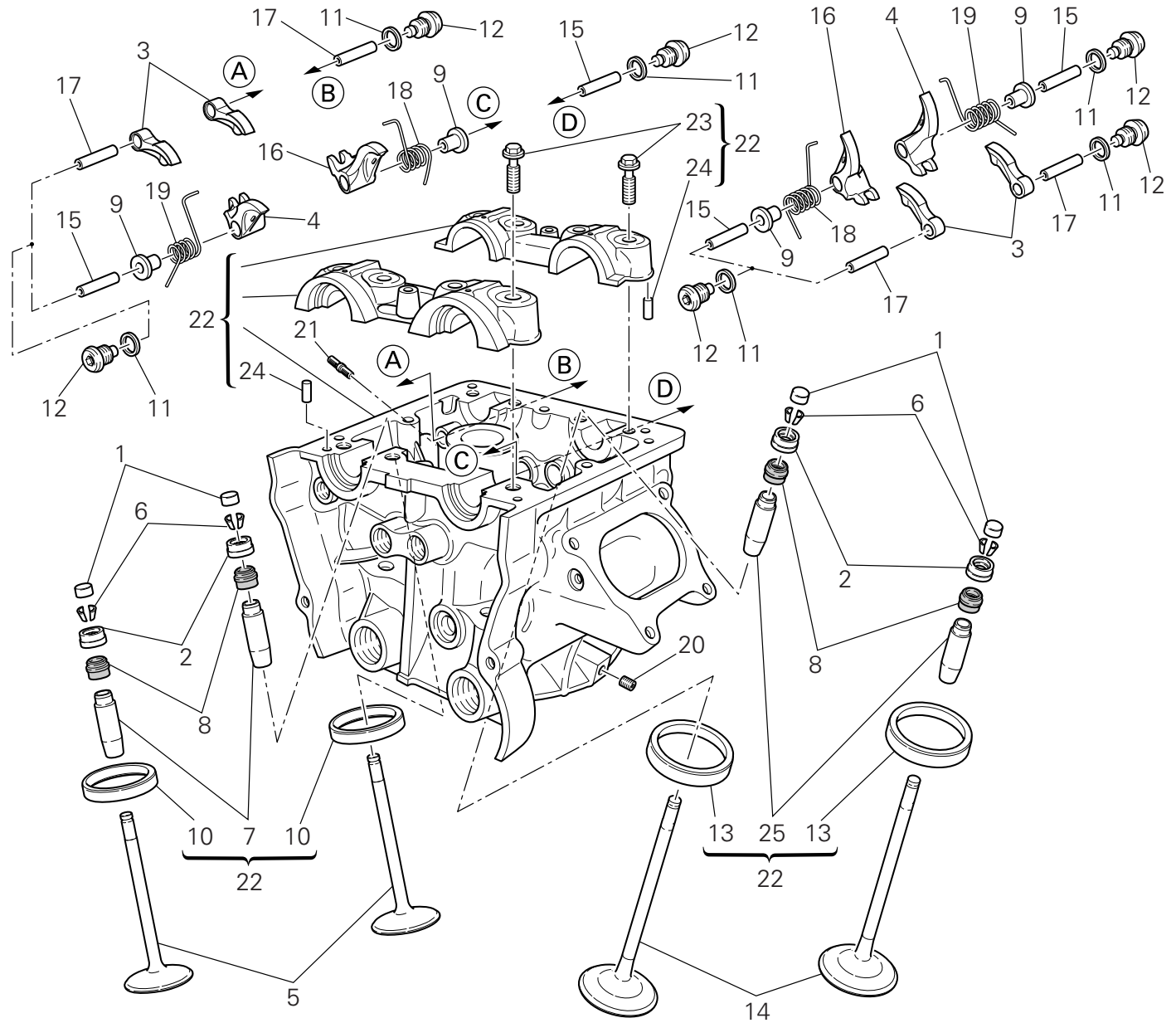
DRAWING **013** Cylinder head : timing system

NOTES NO.	CODE NO.	DESCRIPTION	VALIDITY	Q.TY 
1	886.5.051.1A	O-ring		8
2	703.5.002.2A	Ring nut		4
3	779.1.509.2A	Special screw		8
4	856.1.074.2A	Special washer		4
5	247.1.287.1B	Horizontal cover		1
6	247.1.288.1B	Vertical cover		1
7	255.1.019.3A	Timing belt roller		4
8	788.1.094.1A	Gasket		2
9	788.1.093.1A	Head gasket		2
10	160.1.094.1A	Spacer		4
11	148.2.363.1B	Vertical intake camshaft		1
12	680.5.006.1A	Woodruff key		4
13	873.1.005.1A	Cap		4
14	148.2.364.1B	Horizontal exhaust camshaft		1
15	148.2.362.1B	Horizontal intake camshaft		1
16	779.5.030.2A	Screw		12
17	930.5.007.1A	Seal ring		4
18	148.2.365.1B	Vertical exhaust camshaft		1

NOTES NO.	CODE NO.	DESCRIPTION	VALIDITY	Q.TY 
-----------	----------	-------------	----------	--


CATALOGUE No: 915.1.275.1H
ISSUED: 05 - 09CATALOGUE No: 915.1.275.1H
ISSUED: 05 - 09

1	2
Registro bilanciari apertura	Registro bilanciari chiusura
Adjustment	Adjustment
Réglage	Réglage
Ventilkäppchen	Ventilkäppchen
840.1.185.1AM - 1,8	840.1.186.1AP - 4,15
840.1.185.1AN - 1,85	840.1.186.1AQ - 4,2
840.1.185.1AO - 1,9	840.1.186.1AR - 4,25
840.1.185.1AP - 1,95	840.1.186.1AS - 4,3
840.1.185.1AQ - 2	840.1.186.1AT - 4,35
840.1.185.1AR - 2,05	840.1.186.1AU - 4,4
840.1.185.1AS - 2,1	840.1.186.1AA - 4,45
840.1.185.1AT - 2,15	840.1.186.1AB - 4,5
840.1.185.1AU - 2,2	840.1.186.1AC - 4,55
840.1.185.1AA - 2,25	840.1.186.1AD - 4,6
840.1.185.1AB - 2,3	840.1.186.1AE - 4,65
840.1.185.1AC - 2,35	840.1.186.1AF - 4,7
840.1.185.1AD - 2,4	840.1.186.1AG - 4,75
840.1.185.1AE - 2,45	840.1.186.1AH - 4,8
840.1.185.1AF - 2,5	840.1.186.1AI - 4,85
840.1.185.1AG - 2,55	840.1.186.1AJ - 4,9
840.1.185.1AH - 2,6	840.1.186.1AK - 4,95
840.1.185.1AI - 2,65	840.1.186.1AL - 5
840.1.185.1AJ - 2,7	840.1.186.1AM - 5,05
840.1.185.1AK - 2,75	840.1.186.1AN - 5,1
840.1.185.1AL - 2,8	840.1.186.1AO - 5,15




DRAWING **014**

Vertical cylinder head

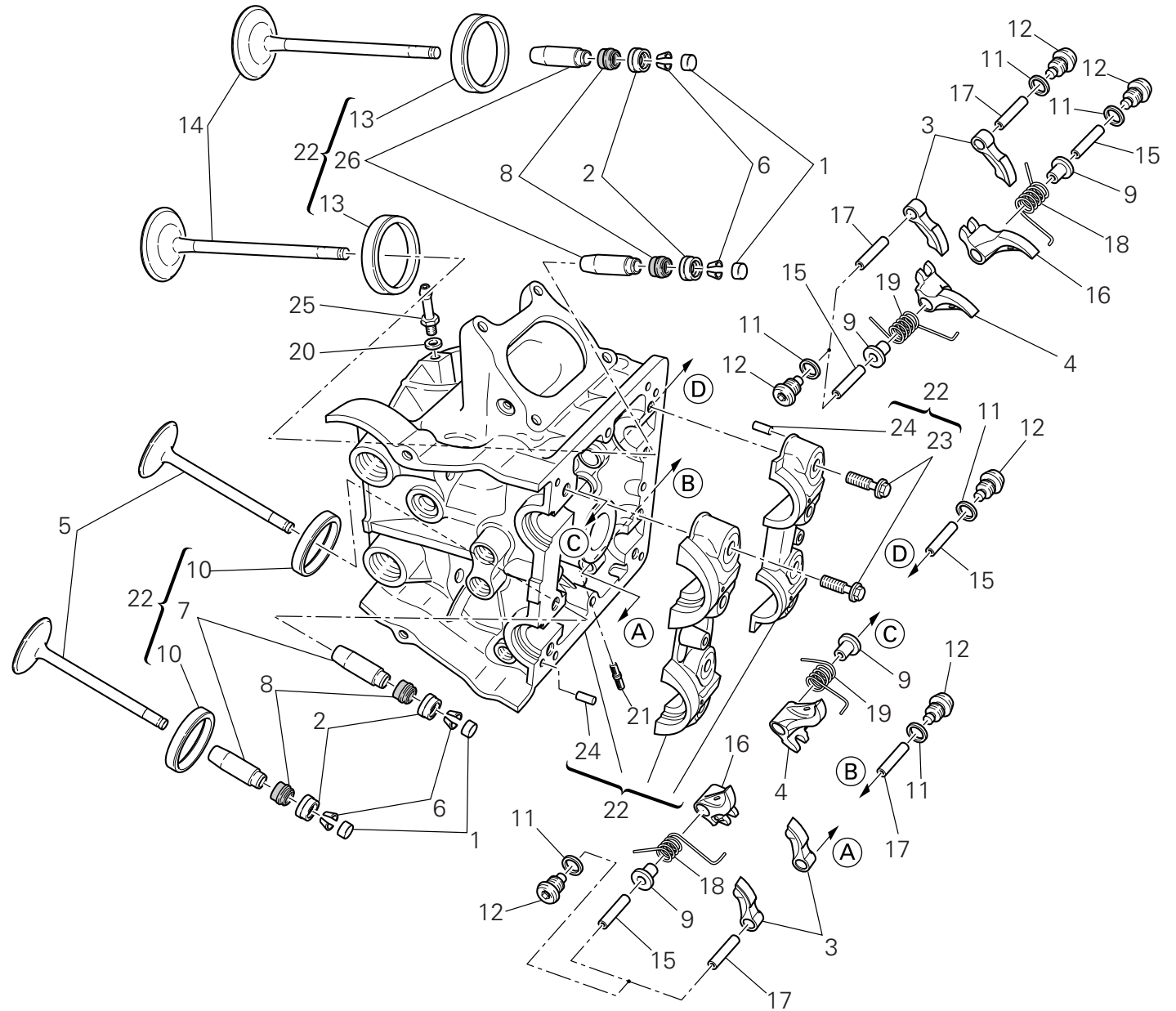
NOTES NO.	CODE NO.	DESCRIPTION	VALIDITY	Q.TY 
1	See table		4
2	See table		4
3	208.1.029.1D	Opening rocker		4
4	209.1.036.1D	Closing rocker (L.H.)		2
5	211.1.071.2A	Exhaust valve		2
6	845.4.005.1B	halfcone		8
7	303.1.062.1AA	Exhaust valve guide magg. 0,03		2
7	303.1.062.1AB	Exhaust valve guide magg. 0,06		2
7	303.1.062.1AC	Exhaust valve guide magg. 0,09		2
8	764.4.054.1A	Rubber pad		4
9	713.1.292.1A	Spacer		4
10	304.1.068.1A	Exhaust valve seat		2
10	304.1.068.1AB	Oversize exhaust valve seat 0.03		2
10	304.1.068.1AC	Oversize exhaust valve seat 0.06		2
11	852.5.026.1B	Aluminium gasket th.1,5		8
12	780.1.051.1A	Cap		8
13	304.1.067.1A	Intake valve seat		2
13	304.1.067.1AB	Oversize intake valve seat 0.03		2
13	304.1.067.1AC	Oversize intake valve seat 0.06		2
14	210.1.073.1A	Intake valve		2
15	821.1.223.1B	Closing rocker shaft		4
16	209.1.035.1D	Closing rocker (R.H.)		2
17	821.1.222.1B	Opening rocker shaft		4
18	799.1.486.1A	Valve return spring (R.H.)		2
19	799.1.485.1A	Valve return spring (L.H.)		2
20	417.6.011.3A	Threaded dowel		1
21	766.4.019.1A	Stud bolt		3

CATALOGUE No: 915.1.275.1H
ISSUED: 05 - 09


NOTES NO.	CODE NO.	DESCRIPTION	VALIDITY	Q.TY 
22	301.2.271.1AB	Complete vertical head		1
23	779.1.421.1A	Special screw		8
24	860.5.006.1A	Pin		4
25	303.1.061.1AA	Intake valve guide magg. 0,03		2
25	303.1.061.1AB	Intake valve guide magg. 0,06		2
25	303.1.061.1AC	Intake valve guide magg. 0,09		2

CATALOGUE No: 915.1.275.1H
ISSUED: 05 - 09


1	2
Registro bilanciari apertura	Registro bilanciari chiusura
Adjustment	Adjustment
Réglage	Réglage
Ventilkäppchen	Ventilkäppchen
840.1.185.1AM - 1,8	840.1.186.1AP - 4,15
840.1.185.1AN - 1,85	840.1.186.1AQ - 4,2
840.1.185.1AO - 1,9	840.1.186.1AR - 4,25
840.1.185.1AP - 1,95	840.1.186.1AS - 4,3
840.1.185.1AQ - 2	840.1.186.1AT - 4,35
840.1.185.1AR - 2,05	840.1.186.1AU - 4,4
840.1.185.1AS - 2,1	840.1.186.1AA - 4,45
840.1.185.1AT - 2,15	840.1.186.1AB - 4,5
840.1.185.1AU - 2,2	840.1.186.1AC - 4,55
840.1.185.1AA - 2,25	840.1.186.1AD - 4,6
840.1.185.1AB - 2,3	840.1.186.1AE - 4,65
840.1.185.1AC - 2,35	840.1.186.1AF - 4,7
840.1.185.1AD - 2,4	840.1.186.1AG - 4,75
840.1.185.1AE - 2,45	840.1.186.1AH - 4,8
840.1.185.1AF - 2,5	840.1.186.1AI - 4,85
840.1.185.1AG - 2,55	840.1.186.1AJ - 4,9
840.1.185.1AH - 2,6	840.1.186.1AK - 4,95
840.1.185.1AI - 2,65	840.1.186.1AL - 5
840.1.185.1AJ - 2,7	840.1.186.1AM - 5,05
840.1.185.1AK - 2,75	840.1.186.1AN - 5,1
840.1.185.1AL - 2,8	840.1.186.1AO - 5,15



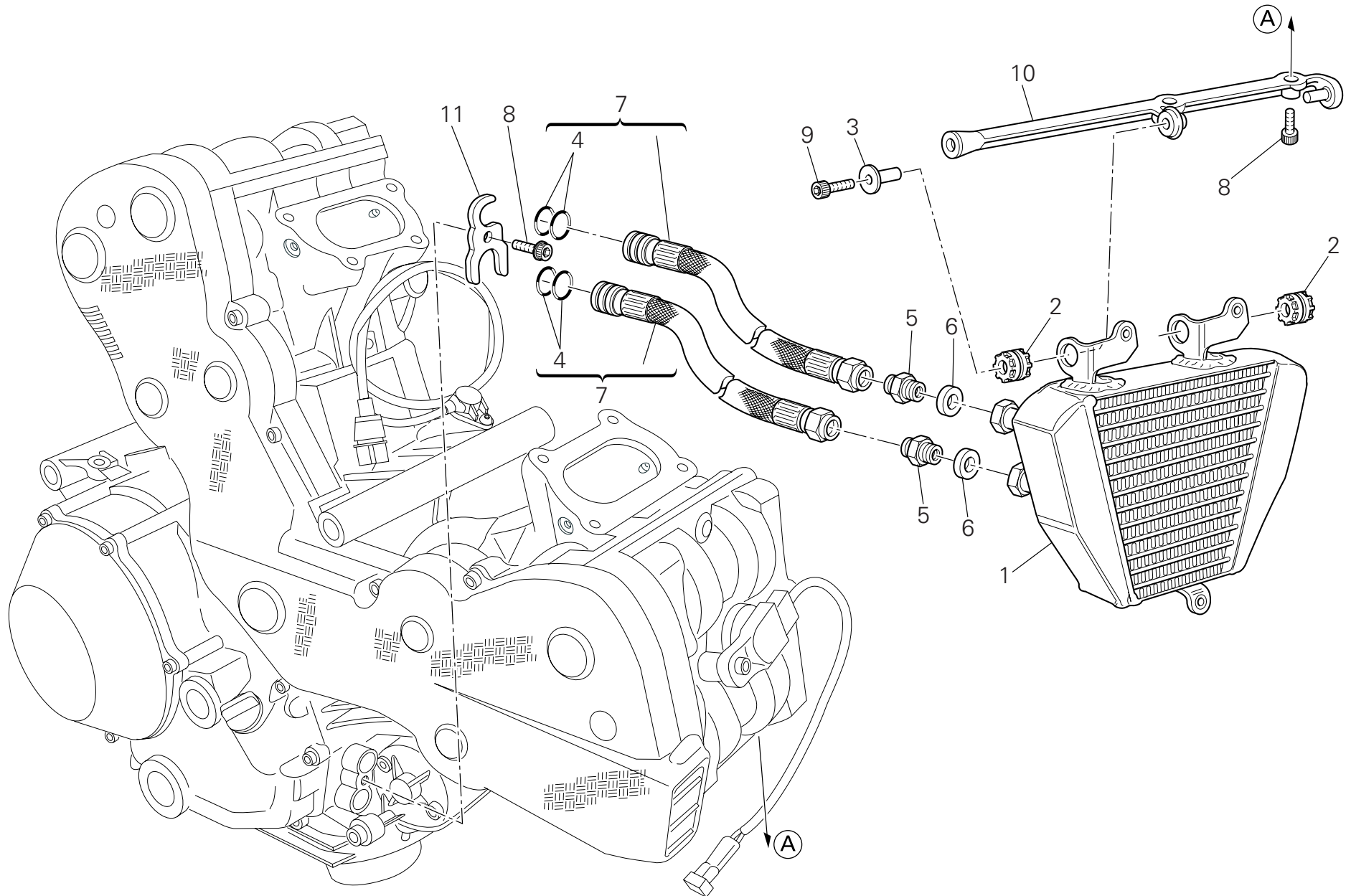
DRAWING **015** Horizontal cylinder head

NOTES NO.	CODE NO.	DESCRIPTION	VALIDITY	Q.TY 
1	See table		4
2	See table		4
3	208.1.029.1D	Opening rocker		4
4	209.1.036.1D	Closing rocker (L.H.)		2
5	211.1.071.2A	Exhaust valve		2
6	845.4.005.1B	halfcone		8
7	303.1.062.1AA	Exhaust valve guide magg. 0,03		2
7	303.1.062.1AB	Exhaust valve guide magg. 0,06		2
7	303.1.062.1AC	Exhaust valve guide magg. 0,09		2
8	764.4.054.1A	Rubber pad		4
9	713.1.292.1A	Spacer		4
10	304.1.068.1A	Exhaust valve seat		2
10	304.1.068.1AB	Oversize exhaust valve seat 0.03		2
10	304.1.068.1AC	Oversize exhaust valve seat 0.06		2
11	852.5.026.1B	Aluminium gasket th.1,5		8
12	780.1.051.1A	Cap		8
13	304.1.067.1A	Intake valve seat		2
13	304.1.067.1AB	Oversize intake valve seat 0.03		2
13	304.1.067.1AC	Oversize intake valve seat 0.06		2
14	210.1.073.1A	Intake valve		2
15	821.1.223.1B	Closing rocker shaft		4
16	209.1.035.1D	Closing rocker (R.H.)		2
17	821.1.222.1B	Opening rocker shaft		4
18	799.1.486.1A	Valve return spring (R.H.)		2
19	799.1.485.1A	Valve return spring (L.H.)		2
20	852.5.023.1A	Gasket		1
21	766.4.019.1A	Stud bolt		3


CATALOGUE No: 915.1.275.1H
ISSUED: 05 - 09

NOTES NO.	CODE NO.	DESCRIPTION	VALIDITY	Q.TY 
22	301.2.270.1AB	Complete horizontal head		1
23	779.1.421.1A	Special screw		8
24	860.5.006.1A	Pin		4
25	814.1.188.1A	Union		1
26	303.1.061.1AA	Intake valve guide magg. 0,03		2
26	303.1.061.1AB	Intake valve guide magg. 0,06		2
26	303.1.061.1AC	Intake valve guide magg. 0,09		2

CATALOGUE No: 915.1.275.1H
ISSUED: 05 - 09



DRAWING **016** Oil cooler

NOTES NO.	CODE NO.	DESCRIPTION	VALIDITY	Q.TY 
1	548.4.078.1A	Oil cooler		1
2	764.1.022.1A	Vibration damper pad		2
3	716.1.003.1A	Spacer		1
4	886.4.106.1A	O-Ring		4
5	815.1.022.1A	Nipple		2
6	420.2.006.4A	Aluminium gasket		2
7	549.1.077.1A	Oil pipe		2
8	771.5.064.8B	Screw		3
9	771.5.069.8B	Screw		1
10	830.1.409.1A	Bracket		1
11	827.1.420.1A	Plate		1

NOTES NO.	CODE NO.	DESCRIPTION	VALIDITY	Q.TY 
-----------	----------	-------------	----------	--

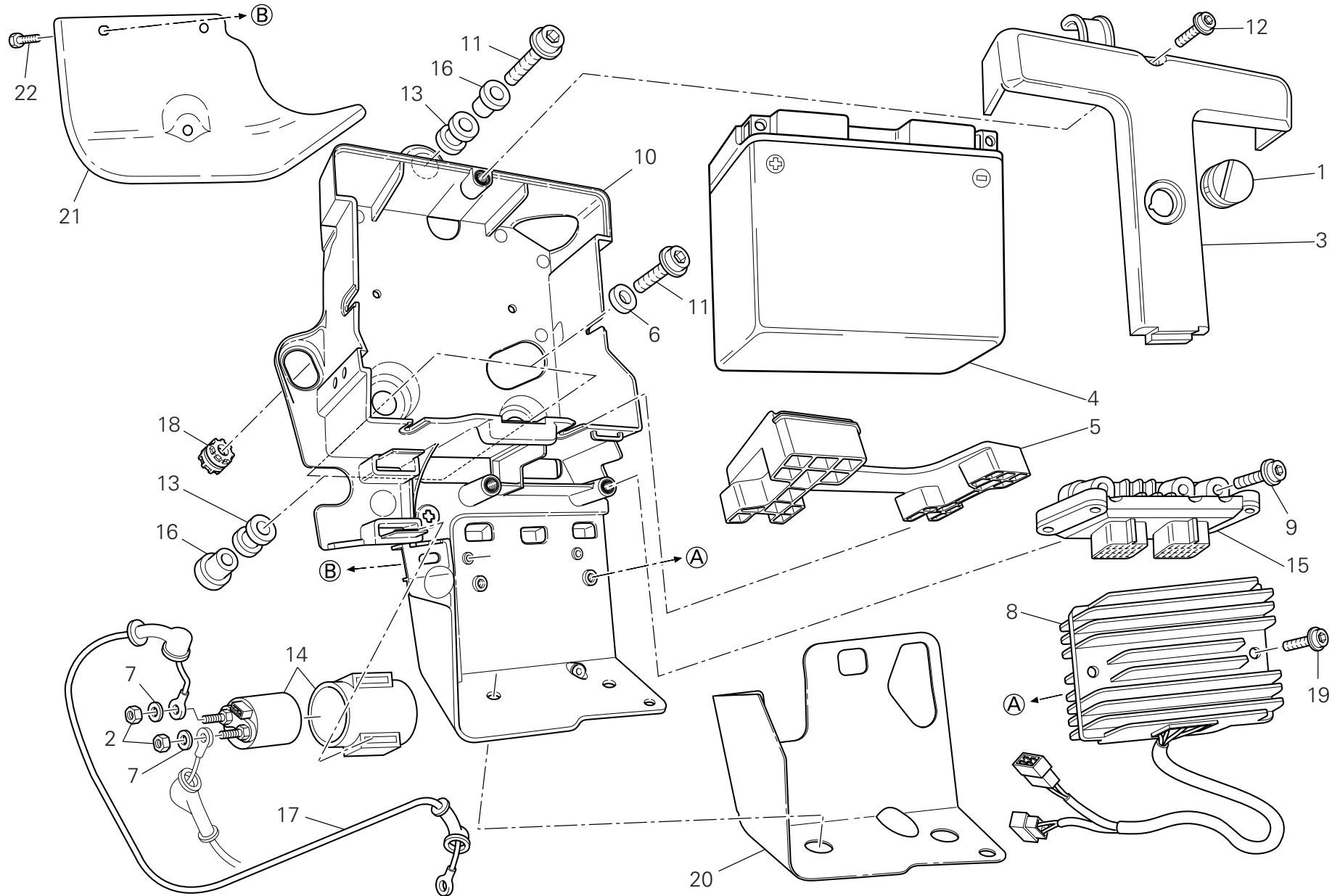
CATALOGUE No: 915.1.275.1H
ISSUED: 05 - 09CATALOGUE No: 915.1.275.1H
ISSUED: 05 - 09

DRAWING **017** Throttle body

NOTES NO.	CODE NO.	DESCRIPTION	VALIDITY	Q.TY 
1	140.1.051.1B	Intake manifold		2
2	771.5.065.8B	Screw		8
3	764.1.022.1A	Vibration damper pad		2
4	280.4.015.1A	Injector		2
5	758.4.017.1A	Clamp		2
6	772.5.077.8B	Screw		2
7	135.1.026.1A	Intake duct		2
8	772.1.085.1A	Special screw		6
9	788.1.096.2A	Gasket		2
10	788.1.102.1A	Gasket		2
11	282.4.081.2A	Complete throttle body		1
12	775.1.017.1B	Screw		6
13	280.4.016.1A	Injector		2
14	758.1.039.2A	Hose guide		1
15	283.4.017.1A	Stepper motor		1
16	852.4.013.1A	Washer		2
17	789.4.001.1A	Gasket		4
18	772.1.110.1A	Screw		2
19	716.1.150.1A	Bush		2
20	590.2.027.1A	Complete pipe set		1
21	741.4.187.1A	Clamp		2
22	771.1.233.1A	Screw		2

NOTES NO.	CODE NO.	DESCRIPTION	VALIDITY	Q.TY 
-----------	----------	-------------	----------	--

CATALOGUE No: 915.1.275.1H
ISSUED: 05 - 09CATALOGUE No: 915.1.275.1H
ISSUED: 05 - 09



DRAWING **018** Battery support

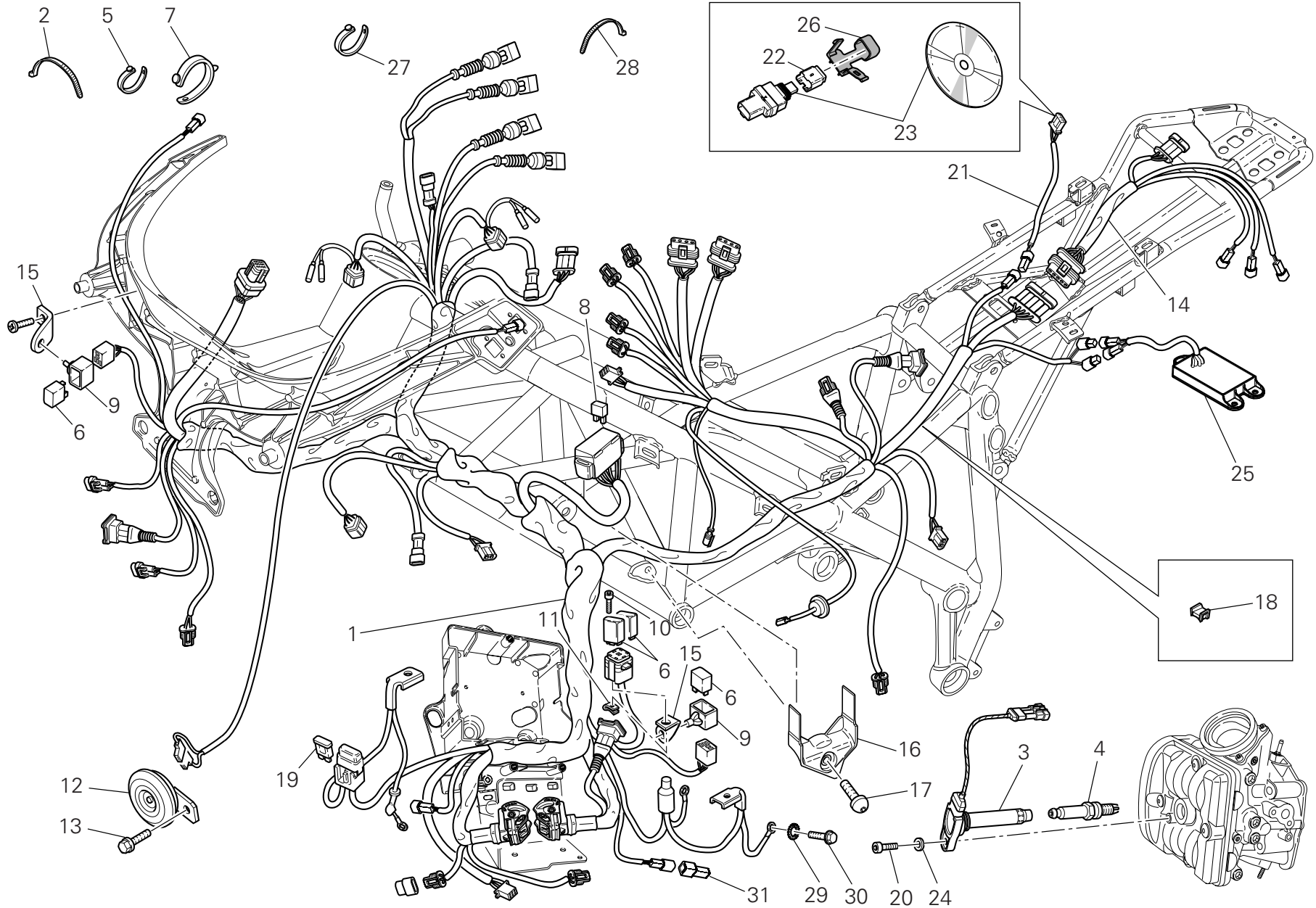
NOTES NO.	CODE NO.	DESCRIPTION	VALIDITY	Q.TY 
1	764.1.062.1A	Rubber pad		1
2	750.5.005.1A	Nut		2
3	247.1.297.1A	Cover		1
4	395.2.014.1A	Battery		1
5	791.1.063.1A	Battery resting buffer		1
6	852.5.029.1A	Washer		2
7	853.5.010.1A	Spring washer		2
8	540.4.019.1A	Regulator		1
9	771.5.672.8B	Screw		2
10	829.1.939.2A	Battery box mount		1
11	771.5.667.8B	Screw		3
12	771.5.669.8B	Screw		1
13	764.1.090.1A	Rubber pad		3
14	397.4.003.1B	Remote switch		1
USA	15 286.4.177.1C	Injection control unit		1
CDN	15 286.4.177.1D	Injection control unit		1
16	716.1.106.1A	Spacer		3
17	514.1.051.1A	Solenoid starter - starter motor cable		1
18	764.1.022.1A	Vibration damper pad		1
19	771.5.668.8B	Screw		2
20	460.1.283.2A	Protection		1
21	460.1.358.1A	Battery mount heat guard		1
22	772.1.059.1A	Screw		3

NOTES NO.	CODE NO.	DESCRIPTION	VALIDITY	Q.TY 
-----------	----------	-------------	----------	--


CATALOGUE No: 915.1.275.1H
ISSUED: 05 - 09


CATALOGUE No: 915.1.275.1H
ISSUED: 05 - 09

DRAWING 018a Electrical system



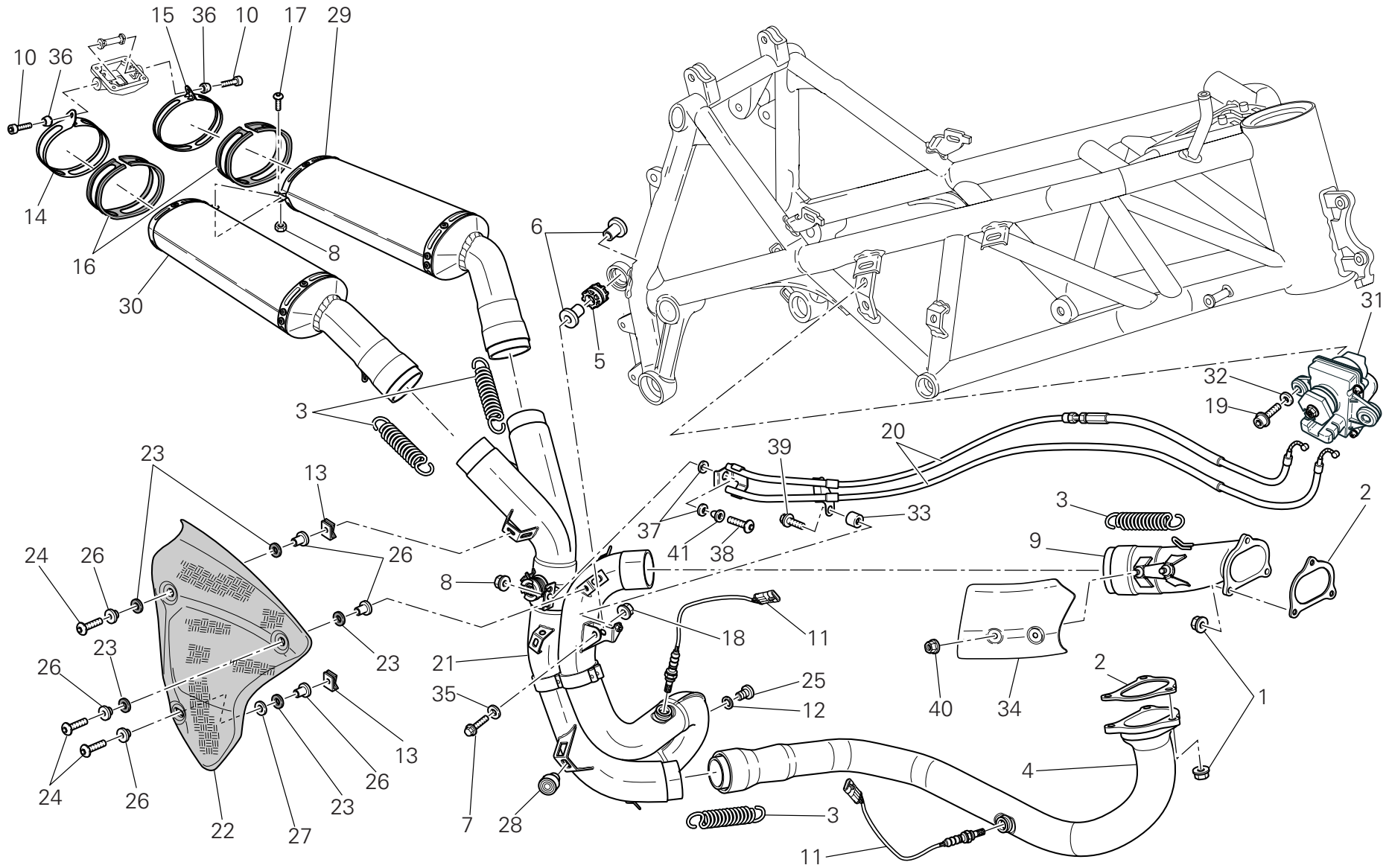
DRAWING **018a** Electrical system

NOTES NO.	CODE NO.	DESCRIPTION	VALIDITY	Q.TY 
1	510.1.593.1B	Main wiring		1
2	741.4.038.1A	Hose guide		11
3	380.1.014.3B	Coil		2
4	670.4.038.1A	Spark plug		2
5	741.1.010.1A	Hose guide		1
6	541.4.010.1A	Relay		3
7	8000.53724	Hose guide		5
8	389.4.019.1A	Fuse 5A		1
8	389.4.020.1A	Fuse 10A		1
8	389.4.021.1A	Fuse 15A		1
8	389.4.022.1A	Fuse 20A		1
8	389.4.024.1A	Fuse 7.5A		1
9	829.1.190.1A	Rubber holder		2
10	771.1.053.1A	Screw		1
11	850.4.047.1A	Nut with clip		1
12	516.4.001.1AB	Horn		1
13	772.1.074.1A	Screw		1
14	510.1.577.1B	Rear wiring		1
15	827.1.430.1A	Plate		2
16	829.1.756.1A	Plate		1
17	772.1.089.3B	Screw		1
18	850.4.067.1A	Clamp		4
19	389.4.023.1A	Fuse 30A		1
20	771.5.066.8B	Screw		2
21	510.1.570.1A	Data acquisition cable		1
22	872.1.053.1A	Cap (DDA)		1
23	286.2.040.1B	Data acquisition kit		1


NOTES NO.	CODE NO.	DESCRIPTION	VALIDITY	Q.TY 
24	852.1.176.1A	Washer		2
25	286.1.117.1C	DTC unit		1
26	741.1.040.1A	Clamp		1
27	741.1.012.1A	Hose guide		2
28	0691.91.030	Hose guide		16
29	855.5.000.1B	Spring washer		1
30	771.5.071.8B	Screw		1
31	872.1.064.1A	Cap (DQS)		1

CATALOGUE No: 915.1.275.1H
ISSUED: 05 - 09


CATALOGUE No: 915.1.275.1H
ISSUED: 05 - 09



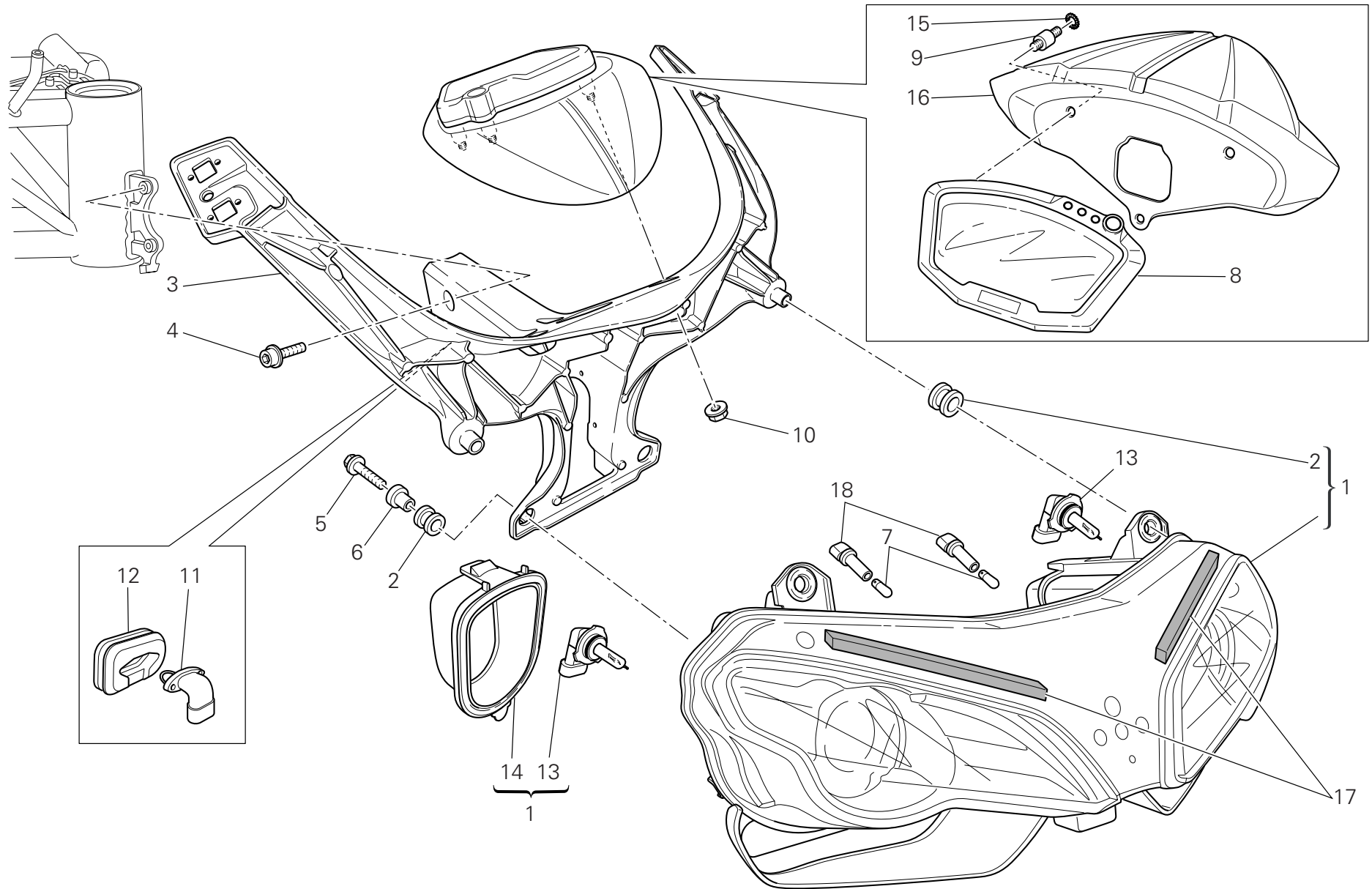
DRAWING **019** Exhaust system

NOTES NO.	CODE NO.	DESCRIPTION	VALIDITY	Q.TY 
1	748.1.024.1A	Nut		6
2	790.1.021.1A	Exhaust gasket		2
3	799.1.263.2A	Spring		4
4	140.1.060.1A	Exhaust manifold (horizontal)		1
5	764.1.024.1A	Vibration damper pad		1
6	716.1.414.1A	Spacer		2
7	772.5.038.1AB	Screw		1
8	748.1.035.1B	Nut		1
9	140.1.059.2A	Exhaust manifold (vertical)		1
10	771.5.127.8B	Screw		2
11	552.1.111.1A	Lambda sensor		2
12	852.5.024.1A	Gasket th.1		2
13	850.4.055.1A	Nut with clip		2
14	741.1.045.1A	Clamp (R.H.)		1
15	741.1.046.1A	Clamp (L.H.)		1
16	788.1.100.1A	Clamp gasket		2
17	775.1.033.1A	Screw		1
18	749.4.111.8B	Nut		1
19	773.1.004.1A	Screw		2
20	732.2.021.2A	Cables unit		1
21	570.1.263.1A	Centre exhaust pipe		1
22	460.1.256.2C	Heat guard (CARBON)		1
23	852.1.072.1A	Washer		5
24	772.1.088.2B	Screw		3
25	780.1.007.1A	Cap		2
26	716.1.407.1A	Spacer		6
27	852.1.232.1A	Washer		1

CATALOGUE No: 915.1.275.1H
ISSUED: 05 - 09


NOTES NO.	CODE NO.	DESCRIPTION	VALIDITY	Q.TY 
28	764.1.063.1A	Rubber pad		2
29	574.1.111.2A	Silencer (L.H.) (AKRAPOVIC)		1
30	573.1.111.2A	Silencer (R.H.) (AKRAPOVIC)		1
31	593.4.030.1A	Exhaust valve engine		1
32	852.5.009.1A	Washer		2
33	713.1.241.1A	Spacer		1
34	460.1.286.2B	Heat guard		1
35	852.1.186.1A	Washer		1
36	841.1.052.1A	Retainer		2
37	799.4.009.1A	Spring washer		2
38	775.1.004.1A	Screw		1
39	772.1.062.1A	Screw		1
40	748.1.036.1A	Nut		2
41	716.1.144.1A	Spacer		1

CATALOGUE No: 915.1.275.1H
ISSUED: 05 - 09



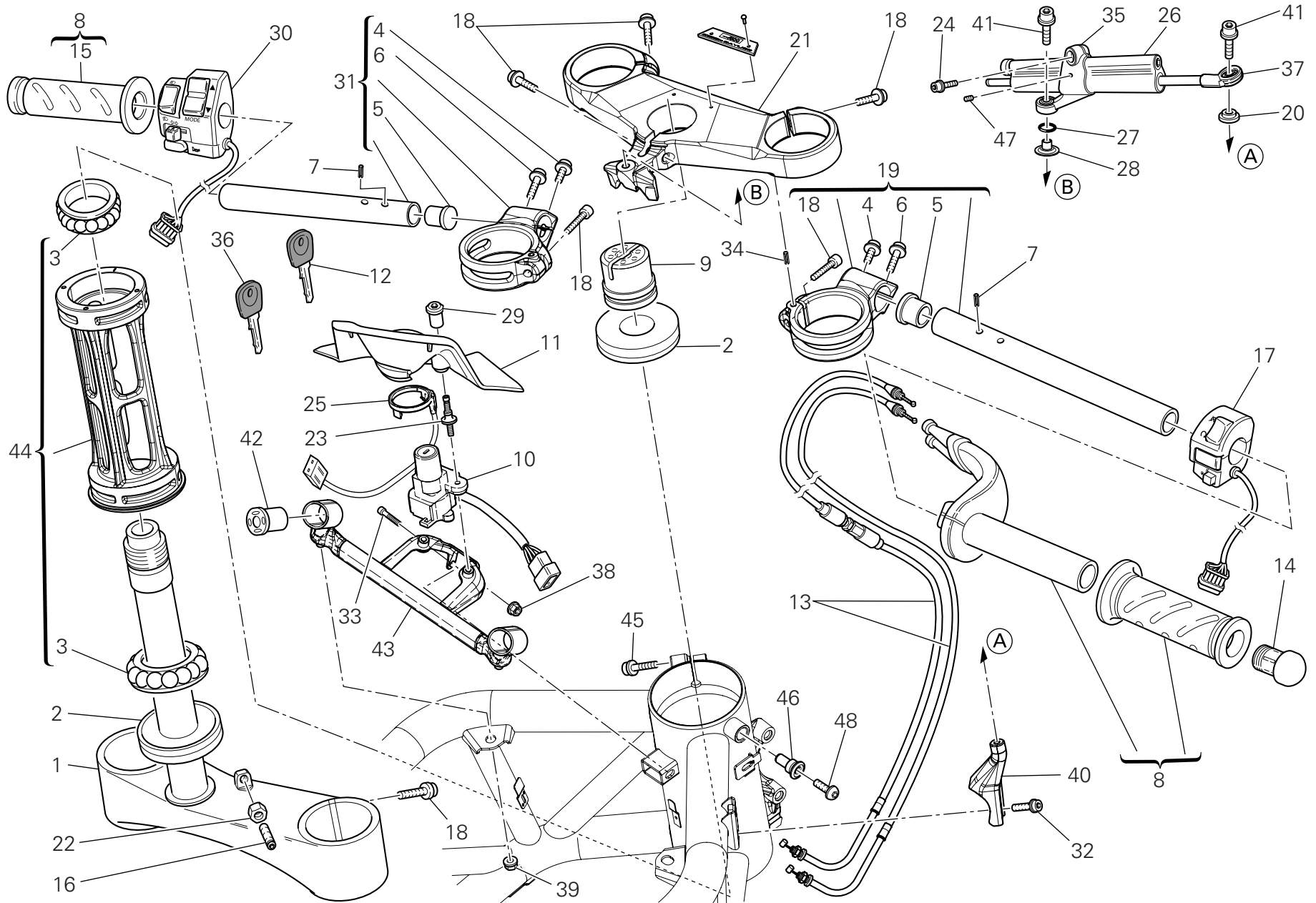
DRAWING **020**

Headlight & instr. panel


NOTES NO.	CODE NO.	DESCRIPTION	VALIDITY	Q.TY 
1	520.1.015.4A	Headlight		1
2	764.1.090.1A	Rubber pad		4
3	829.2.966.1A	Headlight holder		1
4	771.1.041.1A	Screw		2
5	772.5.101.8B	Screw		2
6	716.1.022.1B	Spacer		2
7	390.4.019.1A	Bulb 12V-6W H6W		2
8	406.1.073.3A	Instrument panel		1
9	700.1.043.1A	Vibration damper		3
10	748.4.038.1A	Nut		3
11	552.4.012.1A	Air temperature sensor		1
12	764.1.097.1A	Rubber pad		1
13	390.4.020.1A	Bulb 12V-55W		2
14	390.4.022.1A	Cover		2
15	462.4.046.1A	Spring washer		3
16	460.1.276.1A	Instrument panel cover		1
17	460.4.728.1A	Vibration damper		2
18	390.4.023.1A	Lamp holder		2

NOTES NO.	CODE NO.	DESCRIPTION	VALIDITY	Q.TY 
-----------	----------	-------------	----------	--


CATALOGUE No: 915.1.275.1H
ISSUED: 05 - 09CATALOGUE No: 915.1.275.1H
ISSUED: 05 - 09



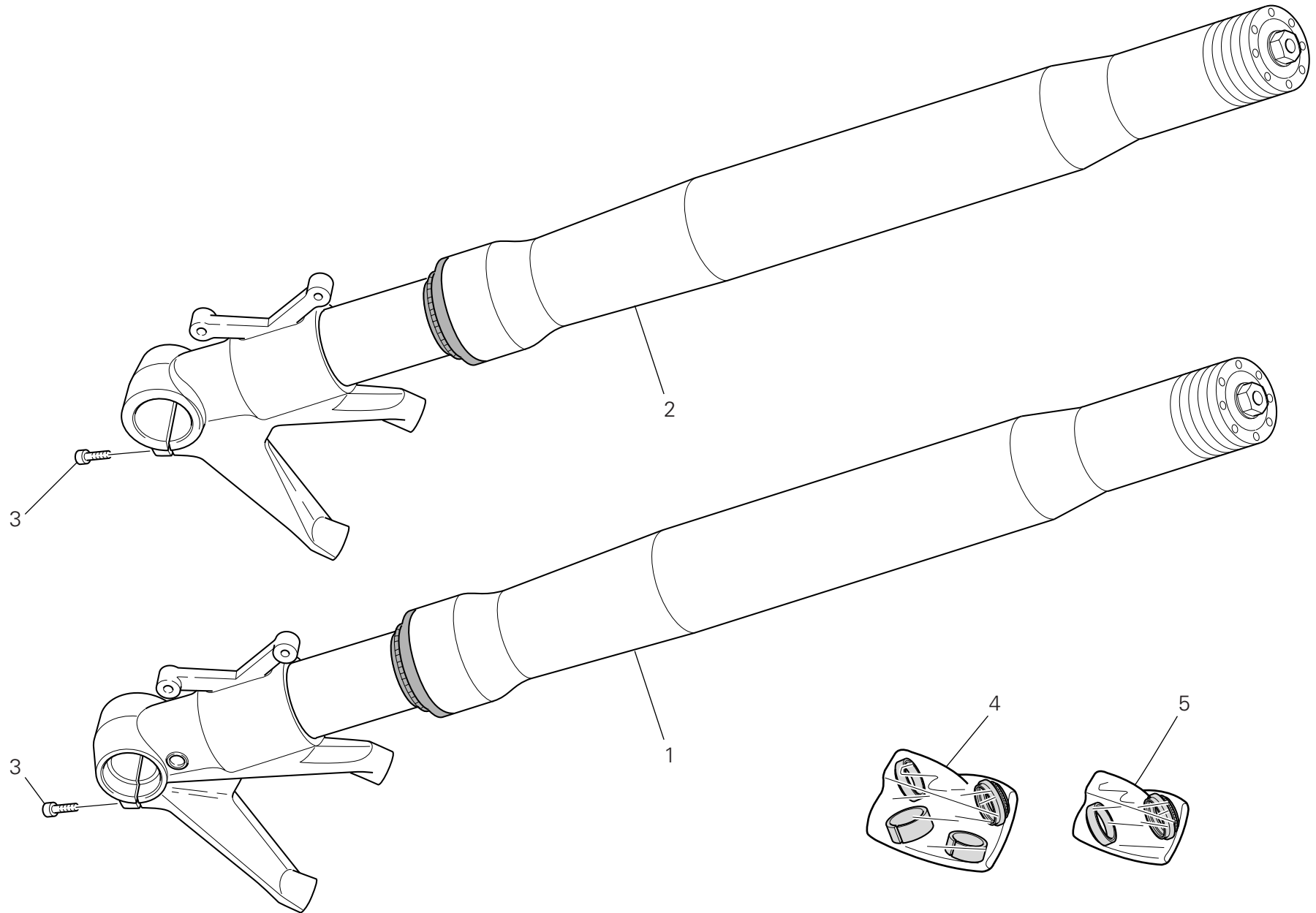
DRAWING **021** Handlebars - shock-absorber

NOTES NO.	CODE NO.	DESCRIPTION	VALIDITY	Q.TY 
1	342.2.033.1A	Steering head base assembly (OHLINS)		1
2	930.1.004.1A	Seal ring		2
3	702.4.004.1A	Bearing		2
4	771.1.046.1A	Screw		2
5	872.1.048.1A	Cap		2
6	771.5.669.8B	Screw		2
7	462.4.001.1A	Spring pin		2
8	654.2.016.1A	Throttle control		1
9	703.1.013.1AB	Ring nut		1
10	652.4.012.1A	Key-operated switch		1
11	460.1.263.1A	Cover		1
12	598.4.024.1A	Wrench with Transponder		1
13	656.2.003.1B	Cables unit		1
14	872.1.015.1A	Cap		2
15	361.1.002.1A	Grip		1
16	779.1.298.1A	Special screw		2
17	650.4.011.1A	Switch (R.H.)		1
18	771.5.725.8B	Screw		9
19	360.2.086.1CB	Handlebar (R.H.)		1
20	716.1.412.1A	Spacer		1
21	341.1.077.1A	Steering head		1
22	747.5.003.1A	Nut		2
23	771.1.050.1A	Screw		2
24	771.1.039.1A	Screw		1
25	518.4.004.2B	Antenna		1
26	364.1.003.1A	Steering damper (OHLINS)		1
27	886.5.014.1A	O-ring		1


CATALOGUE No: 915.1.275.1H
ISSUED: 05 - 09

NOTES NO.	CODE NO.	DESCRIPTION	VALIDITY	Q.TY 
28	713.1.153.2A	Spacer		1
29	750.1.149.1A	Nut		2
30	651.1.004.1A	Switch (L.H.)		1
31	360.2.087.1CB	Handlebar (L.H.)		1
32	771.5.662.8B	Screw		2
33	771.5.072.8B	Screw		1
34	861.5.022.1A	Spring pin		2
35	808.2.016.2A	Clamp		1
36	598.4.018.1A	Wrench without Transponder		1
37	848.2.002.1A	Joint		1
38	750.5.001.1B	Nut		1
39	749.4.112.8B	Nut		2
40	830.1.475.1AA	Bracket		1
41	771.1.019.1A	Screw		2
42	764.1.050.1A	Rubber pad		2
43	830.1.466.1AA	Bracket		1
44	756.2.011.1A	Steering eccentric nut		1
45	771.5.723.8B	Screw		2
46	779.1.550.1A	Special screw		1
47	778.5.009.1A	Threaded dowel		1
48	775.5.024.1A	Screw		1

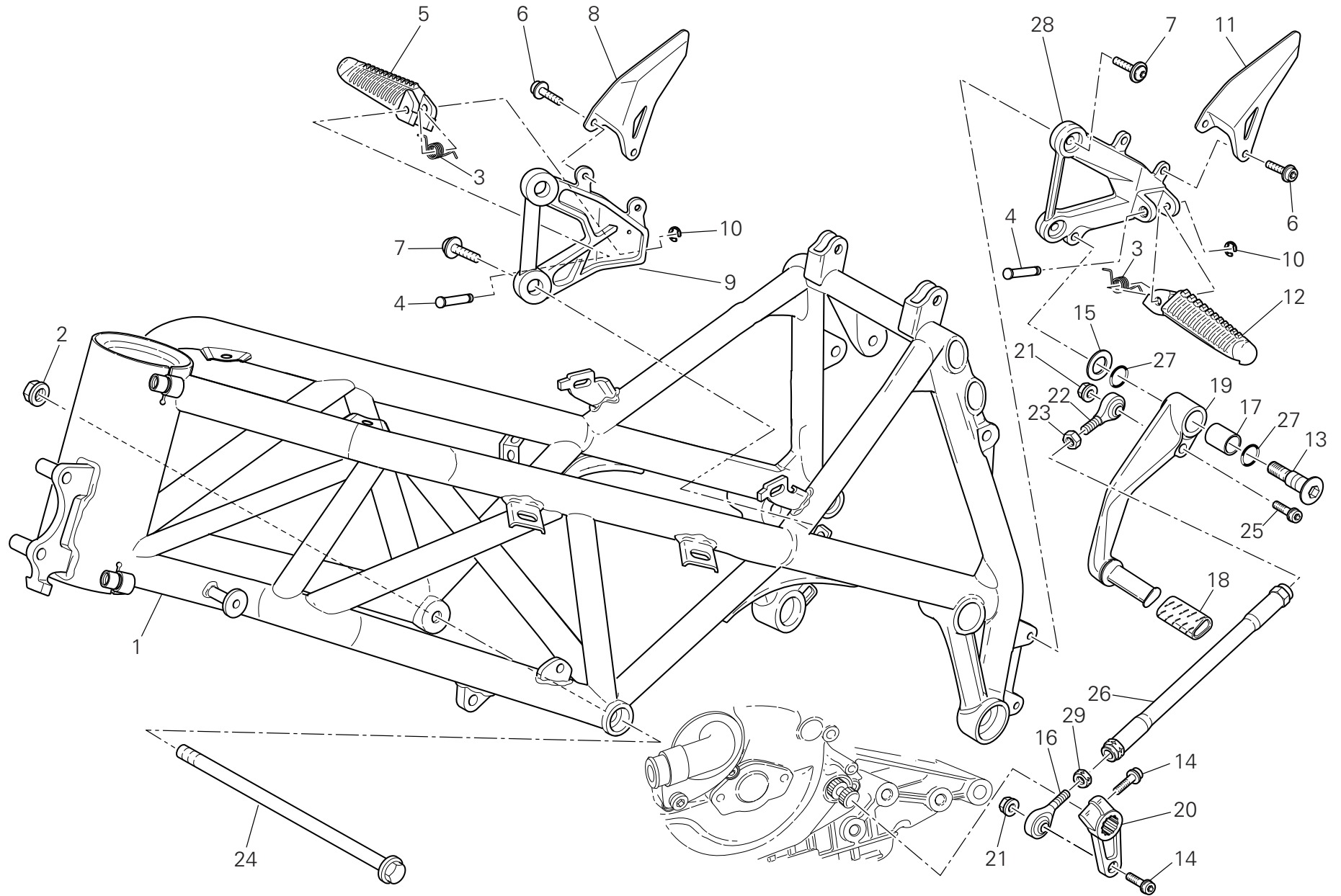
CATALOGUE No: 915.1.275.1H
ISSUED: 05 - 09



DRAWING **021a** Front forks

NOTES NO.	CODE NO.	DESCRIPTION	VALIDITY	Q.TY 
1	344.2.017.1B	L.H. fork leg assembly (OHLINS)		1
2	345.2.017.1B	R.H. fork leg assembly (OHLINS)		1
3	771.5.727.8B	Screw		4
4	349.2.039.1A	Overhaul kit		2
5	349.2.040.1A	Seat kit		2


NOTES NO.	CODE NO.	DESCRIPTION	VALIDITY	Q.TY 
-----------	----------	-------------	----------	--



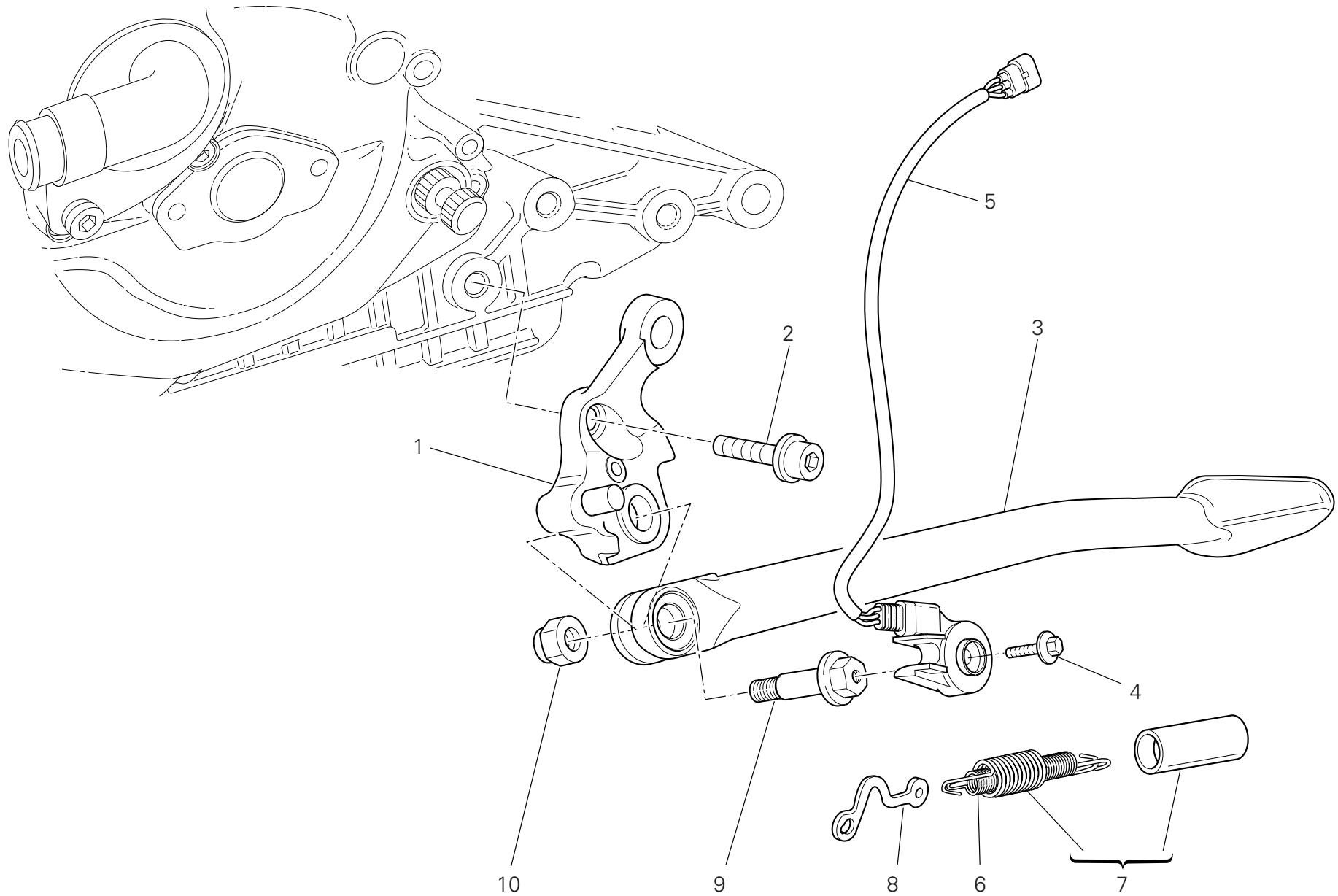
DRAWING **022** Frame

NOTES NO.	CODE NO.	DESCRIPTION	VALIDITY	Q.TY 
1	470.1.188.1AA	Frame		1
2	748.4.002.1A	Nut		2
3	799.1.166.1A	Spring		2
4	821.1.051.1AB	Pin		2
5	464.1.053.1A	Foot peg (front) (R.H.)		1
6	772.1.046.1B	Screw		4
7	772.1.077.2A	Screw		4
8	247.1.300.1BB	Heel guard (front) (R.H.)		1
9	824.1.147.1AB	Foot peg holder plate (front) (R.H.)		1
10	884.5.003.1A	Ring		2
11	247.1.299.1BB	Heel guard (front) (L.H.)		1
12	464.1.054.1A	Foot peg (front) (L.H.)		1
13	821.1.170.1A	Pin		1
14	771.5.667.8B	Screw		2
15	852.1.053.2A	Washer		1
16	848.5.001.1A	Ball joint		1
17	712.1.034.1A	Bush		1
18	764.1.011.2A	Rubber pad		1
19	456.1.054.1AB	Gearchange lever		1
20	456.1.046.1B	Gearchange control lever		1
21	749.4.004.1A	Nut		2
22	848.5.002.1A	Ball joint		1
23	747.5.010.1A	Nut		1
24	779.1.484.2B	Special screw		2
25	771.1.019.1A	Screw		1
26	117.1.088.2A	Gearbox transmission rod		1
27	886.4.116.1A	O-ring		2


CATALOGUE No: 915.1.275.1H
ISSUED: 05 - 09

NOTES NO.	CODE NO.	DESCRIPTION	VALIDITY	Q.TY 
28	824.1.146.1AB	Foot peg holder plate (front) (L.H.)		1
29	747.5.001.1AB	Nut		1

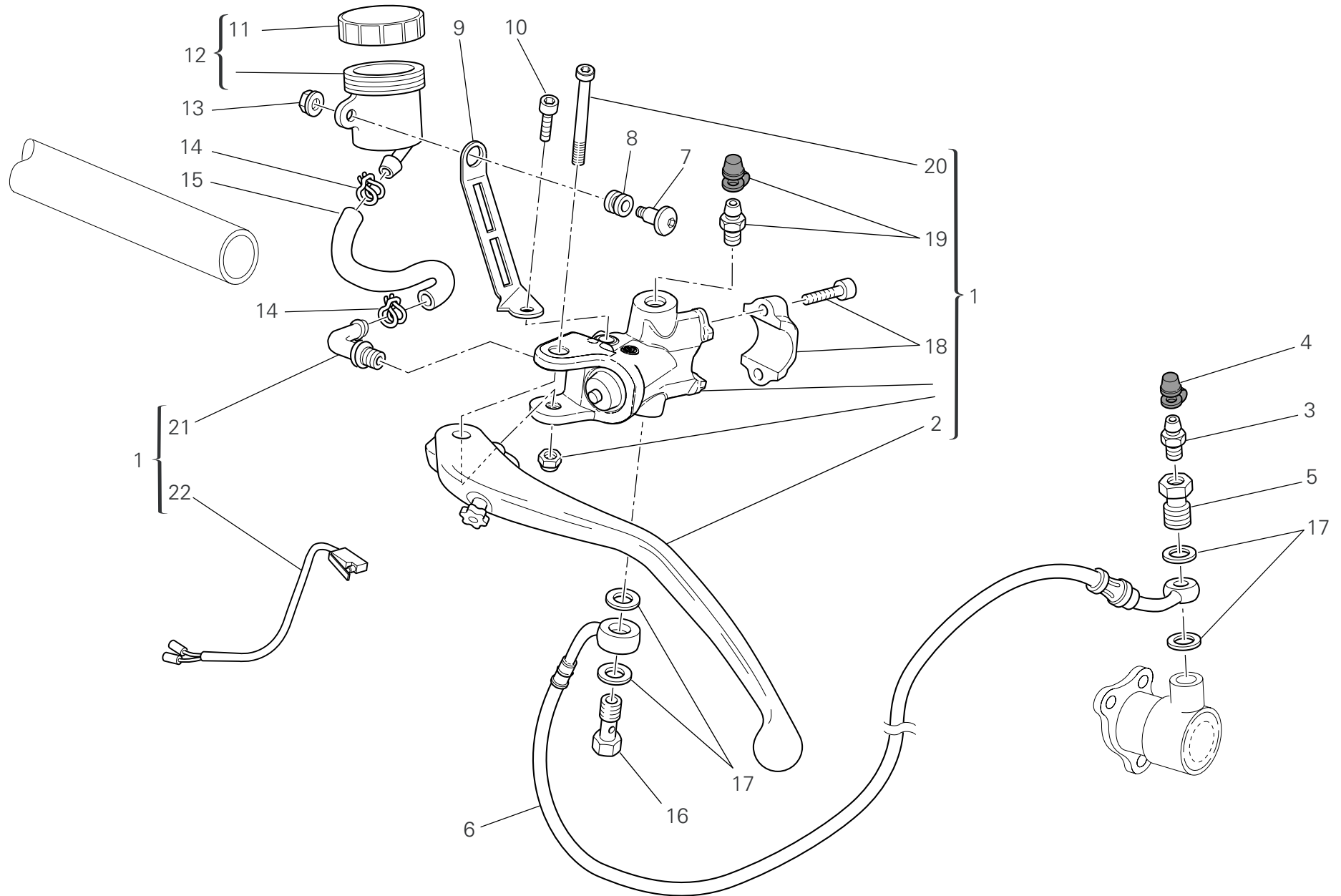
CATALOGUE No: 915.1.275.1H
ISSUED: 05 - 09




DRAWING **022a** Stand

NOTES NO.	CODE NO.	DESCRIPTION	VALIDITY	Q.TY 
1	556.2.045.1A	Plate		1
2	771.1.043.1A	Screw		2
3	556.1.046.2AB	Side stand		1
4	779.4.005.2A	Screw		1
5	539.1.022.2A	Stand switch		1
6	799.1.158.1A	Inner spring		1
7	799.2.159.1A	Complete spring		1
8	829.1.260.2A	Plate		1
9	821.1.103.2A	Pivot		1
10	750.1.048.1A	Nut		1

NOTES NO.	CODE NO.	DESCRIPTION	VALIDITY	Q.TY 
-----------	----------	-------------	----------	--



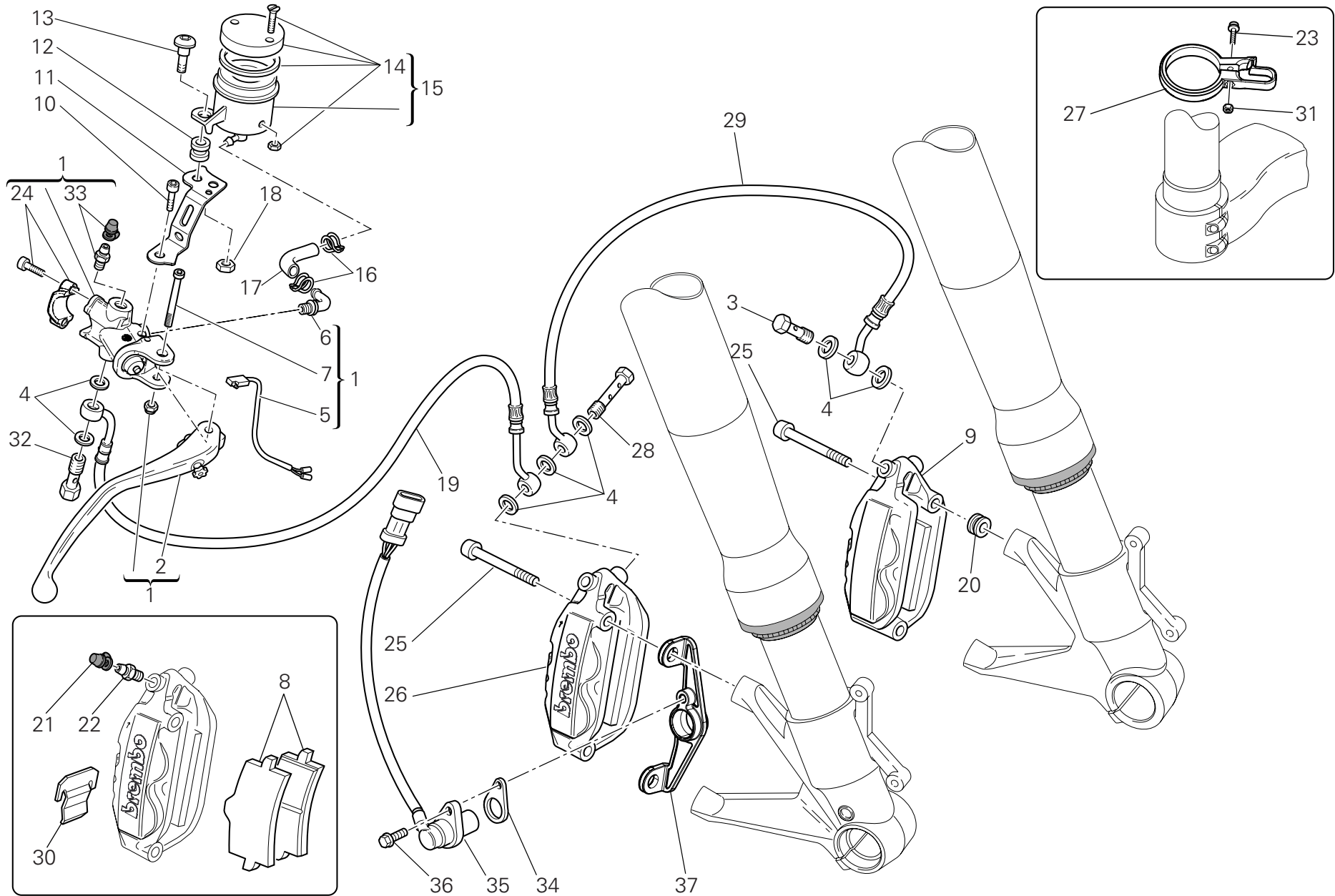
DRAWING **023** Clutch control

NOTES NO.	CODE NO.	DESCRIPTION	VALIDITY	Q.TY 
1	630.4.035.1A	Clutch drive pump		1
2	631.4.034.1A	Clutch control lever		1
3	187.1.002.1A	Bleed		1
4	612.4.005.1A	Dust seal		1
5	779.1.082.1AB	Special screw		1
6	632.1.042.1A	Clutch control pipe (METAL PLAITED)		1
7	779.1.092.1A	Screw		1
8	0370.72.020	Vibration damper pad		1
9	829.1.945.1A	Bracket		1
10	773.5.062.3B	Screw		1
11	893.4.005.1A	Cap		1
12	585.4.008.1A	Complete oil tank		1
13	8000.56443	Nut		1
14	741.4.043.1A	Hose guide		2
15	877.1.113.1A	Tube		1
16	779.1.366.1AB	Special screw		1
17	852.5.024.1A	Gasket th.1		4
18	626.4.057.1A	Bracket		1
19	631.4.028.1A	Spare bleed union		1
20	626.4.056.1A	Pin		1
21	631.4.008.1A	Spare union		1
22	539.4.036.1A	Microswitch		1


NOTES NO.	CODE NO.	DESCRIPTION	VALIDITY	Q.TY 
-----------	----------	-------------	----------	--


CATALOGUE No: 915.1.275.1H
ISSUED: 05 - 09CATALOGUE No: 915.1.275.1H
ISSUED: 05 - 09

DRAWING 024 Front brake



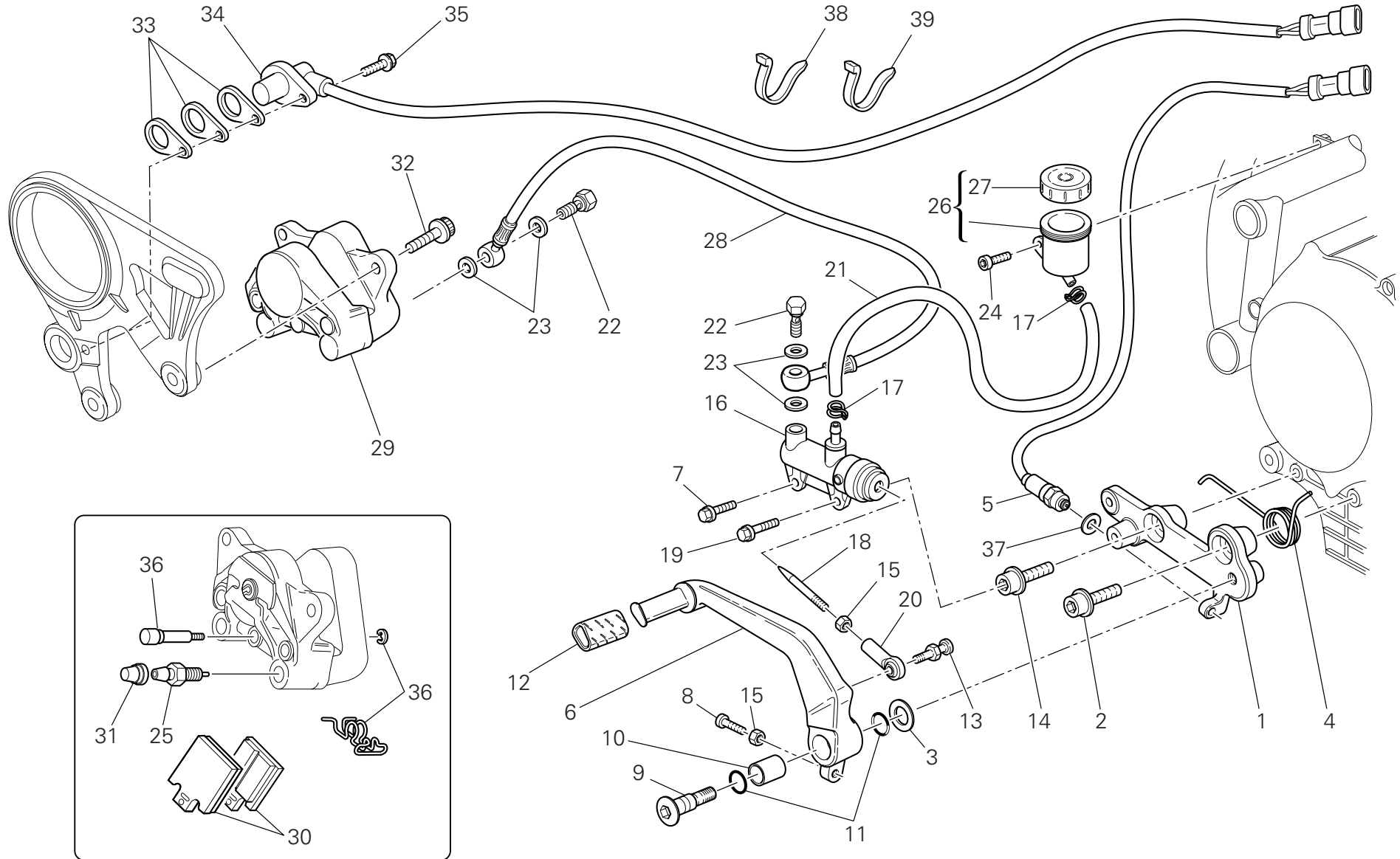
DRAWING **024** Front brake

NOTES NO.	CODE NO.	DESCRIPTION	VALIDITY	Q.TY 
1	624.4.046.1A	Front brake pump		1
2	631.4.033.1A	Brake control lever		1
3	779.1.397.1A	Special screw		1
4	852.5.024.1A	Gasket th.1		7
5	539.4.035.1A	Microswitch		1
6	631.4.008.1A	Spare union		1
7	626.4.056.1A	Pin		1
8	613.4.079.1A	Pads pair		2
9	610.4.090.1A	L.H. brake caliper		1
10	773.5.062.3B	Screw		1
11	829.1.946.1A	Bracket		1
12	0370.72.020	Vibration damper pad		1
13	779.1.092.1A	Screw		1
14	0000.68490	Spare cap		1
15	585.4.009.1A	Complete oil tank		1
16	741.4.043.1A	Hose guide		2
17	877.1.114.1A	Tube		1
18	8000.56443	Nut		1
19	618.4.074.1A	Caliper pump pipe (METAL PLAITED)		1
20	713.1.364.1A	Spacer		2
21	612.4.005.1A	Dust seal		2
22	187.1.002.1A	Bleed		2
23	771.5.645.8B	Screw		1
24	626.4.057.1A	Bracket		1
25	779.1.331.1D	Screw		4
26	610.4.091.1A	R.H. brake caliper		1
27	741.1.036.1A	Clamp		1

NOTES NO.	CODE NO.	DESCRIPTION	VALIDITY	Q.TY 
28	779.1.465.1A	Special screw		1
29	618.4.075.1A	Front brake line		1
30	612.4.037.1A	Spring		2
31	747.5.011.1A	Nut		1
32	779.1.415.1A	Special screw		1
33	631.4.028.1A	Spare bleed union		1
34	713.1.192.1A	Spacer		1
35	552.4.037.2E	Speed sensor		1
36	772.5.099.8B	Screw		1
37	830.1.477.1A	Bracket		1

CATALOGUE No: 915.1.275.1H
ISSUED: 05 - 09

CATALOGUE No: 915.1.275.1H
ISSUED: 05 - 09




DRAWING 025

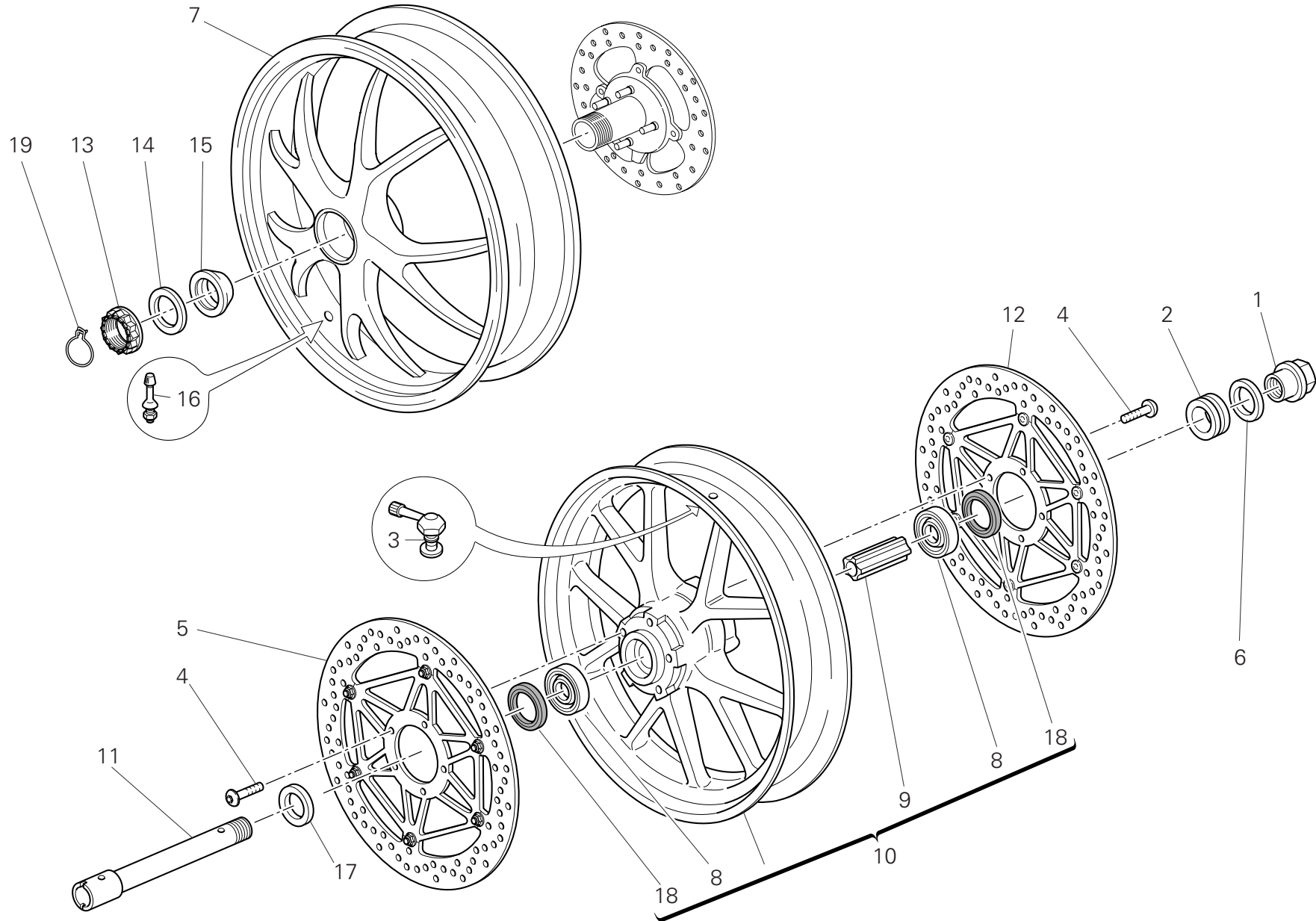
Rear brake

NOTES NO.	CODE NO.	DESCRIPTION	VALIDITY	Q.TY 
1	829.1.942.1A	Plate		1
2	771.5.756.8B	Screw		1
3	852.1.053.2A	Washer		1
4	799.1.256.1A	Spring		1
5	539.4.003.1B	Switch		1
6	457.2.042.1AB	Brake control lever		1
7	772.1.060.1A	Screw		1
8	779.1.237.1B	Adjusting screw		1
9	821.1.170.1A	Pin		1
10	712.1.034.1A	Bush		1
11	886.4.116.1A	O-ring		2
12	764.1.011.2A	Rubber pad		1
13	821.1.273.1A	Pin		1
14	779.1.493.2A	Special screw		1
15	747.5.003.1A	Nut		1
16	625.4.018.1B	Rear brake pump		1
17	741.4.043.1A	Hose guide		2
18	117.1.044.1A	Adjuster rod		1
19	772.1.063.1A	Screw		1
20	184.1.010.2A	Ball joint		1
21	877.1.091.1A	Tube		1
22	779.1.366.1AB	Special screw		2
23	852.5.024.1A	Gasket th.1		4
24	773.5.062.8B	Screw		1
25	631.4.016.1A	Bleed		1
26	585.4.001.1A	Complete oil tank		1
27	893.4.005.1A	Cap		1


CATALOGUE No: 915.1.275.1H
ISSUED: 05 - 09

NOTES NO.	CODE NO.	DESCRIPTION	VALIDITY	Q.TY 
28	619.4.034.1A	Rear brake line (METAL PLAITED)		1
29	611.4.029.1A	Rear brake caliper		1
30	613.4.038.1A	Pads pair		1
31	612.4.008.1A	Dust seal		1
32	771.5.723.8B	Screw		2
33	713.1.192.1A	Spacer		3
34	552.4.037.2E	Speed sensor		1
35	772.5.099.8B	Screw		1
36	612.4.016.1A	Spare pins and spring		1
37	420.2.000.8A	Copper gasket sp. 1		1
38	741.4.038.1A	Hose guide		3
39	0691.91.030	Hose guide		2

CATALOGUE No: 915.1.275.1H
ISSUED: 05 - 09



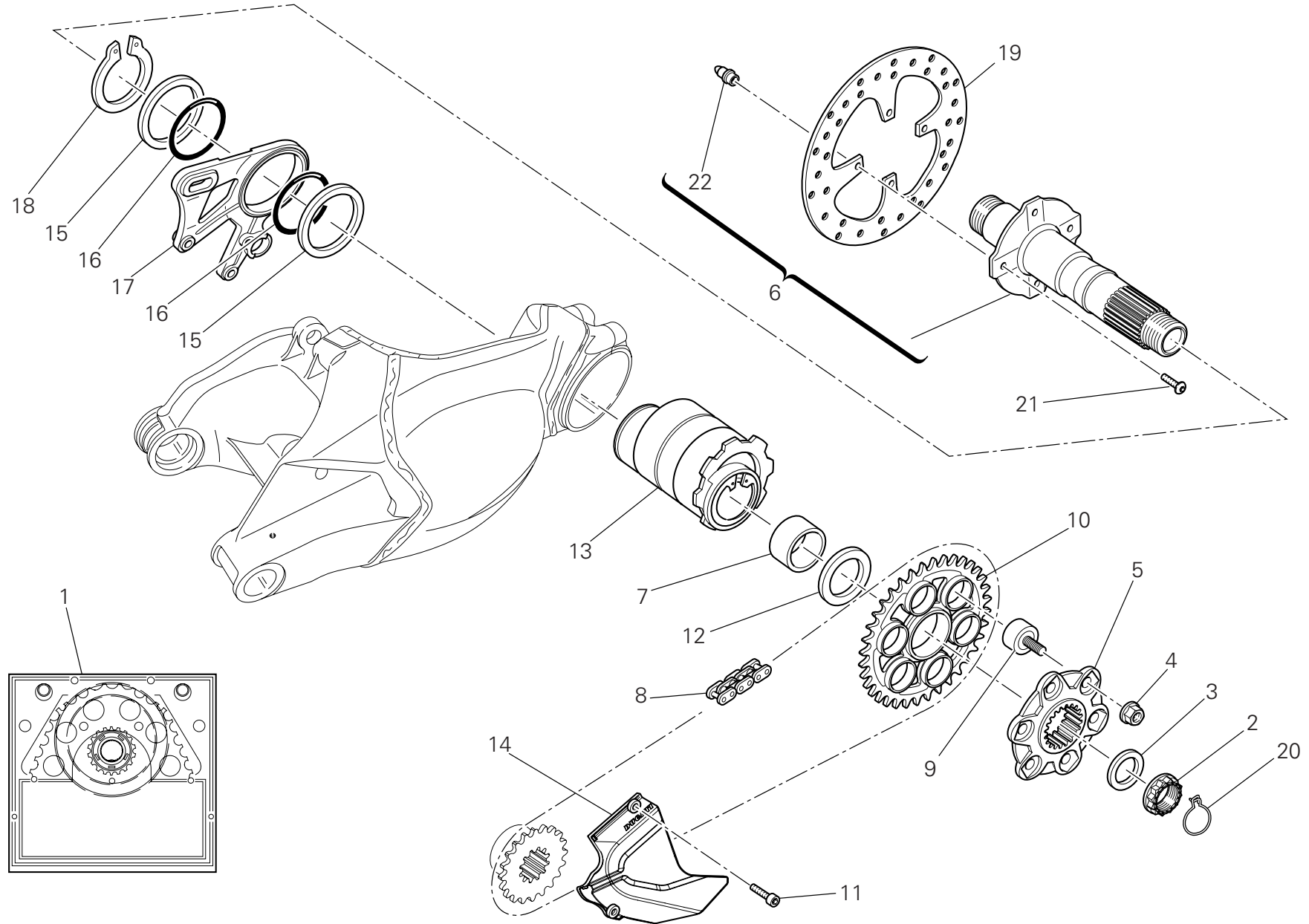
DRAWING **026** Front and rear wheels

NOTES NO.	CODE NO.	DESCRIPTION	VALIDITY	Q.TY 
1	748.1.065.1A	Nut		1
2	713.1.197.3A	Spacer (L.H.)		1
3	497.2.001.2A	Valve		1
4	779.1.399.1A	Screw		10
5	492.4.102.1A	Brake disc (R.H.)		1
6	852.1.222.1A	Washer		1
7	502.2.125.1BB	Wheel rim (rear) (MATT BLACK) (BAYLISS)		1
8	702.5.045.1A	Bearing		2
9	714.1.047.1A	Spacer (internal)		1
10	501.2.115.1BB	Wheel rim (front) (MATT BLACK) (BAYLISS)		1
11	819.1.060.1A	Wheel spindle (front)		1
12	492.4.089.1A	Brake disc (L.H.)		1
13	750.1.140.1A	Nut		1
14	852.1.221.1A	Washer		1
15	714.1.074.1A	Spacer		1
16	497.2.003.1A	Valve		1
17	713.1.196.1A	Spacer (R.H.)		1
18	930.4.052.1A	Seal ring		2
19	759.1.022.2A	Clip		1


NOTES NO.	CODE NO.	DESCRIPTION	VALIDITY	Q.TY 
-----------	----------	-------------	----------	--

CATALOGUE No: 915.1.275.1H
ISSUED: 05 - 09CATALOGUE No: 915.1.275.1H
ISSUED: 05 - 09

DRAWING 026a Rear wheel axle

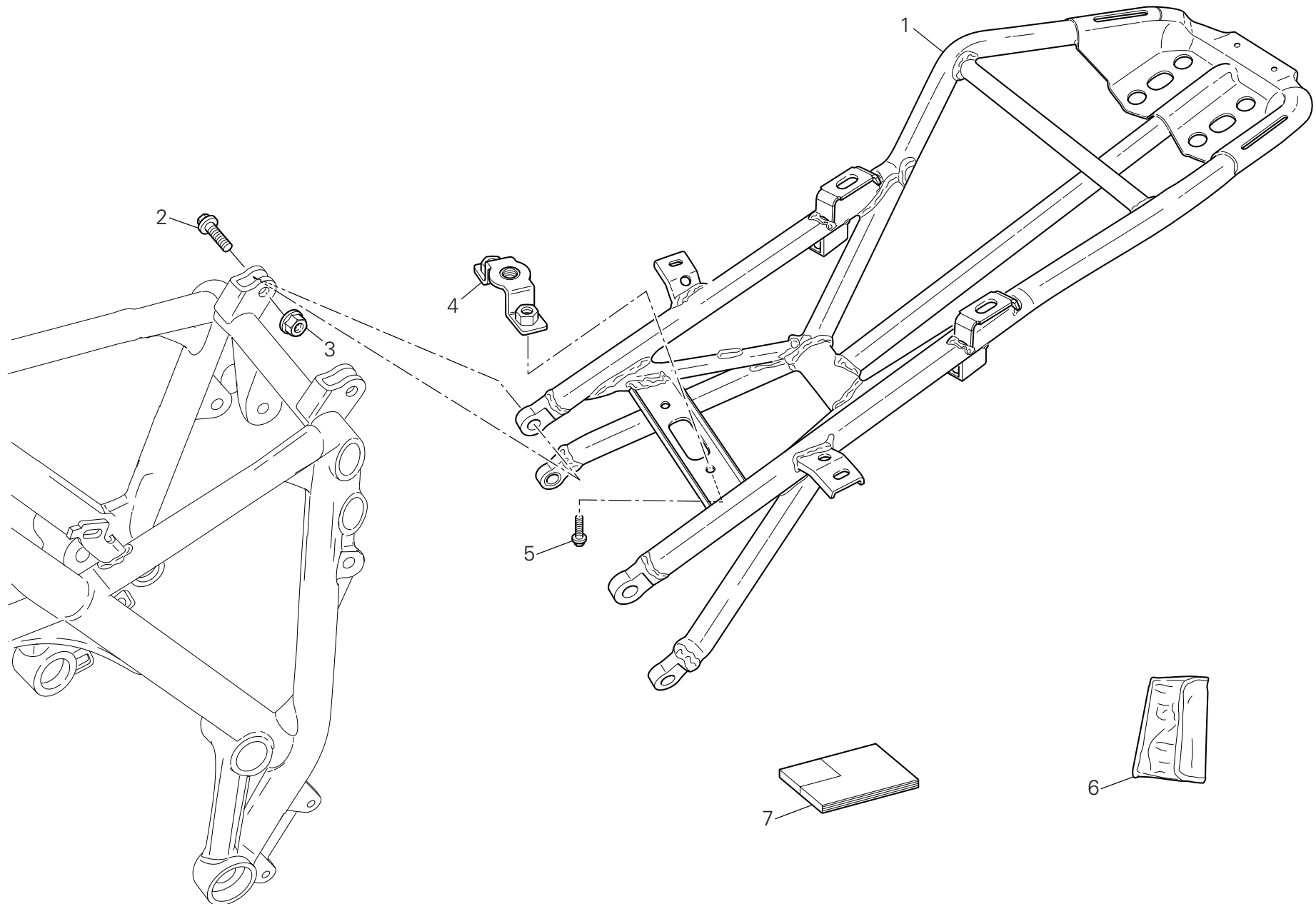


DRAWING **026a** Rear wheel axle


NOTES NO.	CODE NO.	DESCRIPTION	VALIDITY	Q.TY 
1	676.2.067.1A	Final drive kit		1
2	750.1.140.1A	Nut		1
3	852.1.221.1A	Washer		1
4	748.1.046.1A	Nut		6
5	160.1.369.2B	Rear sprocket flange		1
6	819.2.063.2A	Wheel spindle (rear)		1
7	881.1.054.1A	Inner ring		1
8	676.4.046.1A	Chain		1
9	700.9.056.2A	Rubber cush drive hub		6
10	494.1.133.1A	Ring gear Z=38		1
11	773.5.065.8B	Screw		2
12	714.1.075.1A	Spacer		1
13	756.2.007.1A	Hub		1
14	460.1.255.1A	Chain cover		1
15	852.1.217.1A	Washer		2
16	886.4.124.1A	O-ring		2
17	825.1.036.2A	Caliper holder plate		1
18	884.4.051.1A	Circlip		1
19	492.1.004.1A	Rear brake disc		1
20	759.1.022.2A	Clip		1
21	779.1.488.1A	Screw		4
22	863.1.005.1A	Pin		4

NOTES NO.	CODE NO.	DESCRIPTION	VALIDITY	Q.TY 
-----------	----------	-------------	----------	--

CATALOGUE No: 915.1.275.1H
ISSUED: 05 - 09CATALOGUE No: 915.1.275.1H
ISSUED: 05 - 09



DRAWING **027** Rear subframe


NOTES NO.	CODE NO.	DESCRIPTION	VALIDITY	Q.TY 
1	470.1.197.3A	Rear frame		1
2	772.1.087.3A	Screw		4
3	749.4.112.8B	Nut		4
4	830.1.418.1A	Bracket		1
5	772.1.050.1C	Screw		2
6	697.2.022.2A	Tool bag		1
7	913.7.129.1F	Owner's manual		1

NOTES NO.	CODE NO.	DESCRIPTION	VALIDITY	Q.TY 
-----------	----------	-------------	----------	--

CATALOGUE No: 915.1.275.1H
ISSUED: 05 - 09CATALOGUE No: 915.1.275.1H
ISSUED: 05 - 09

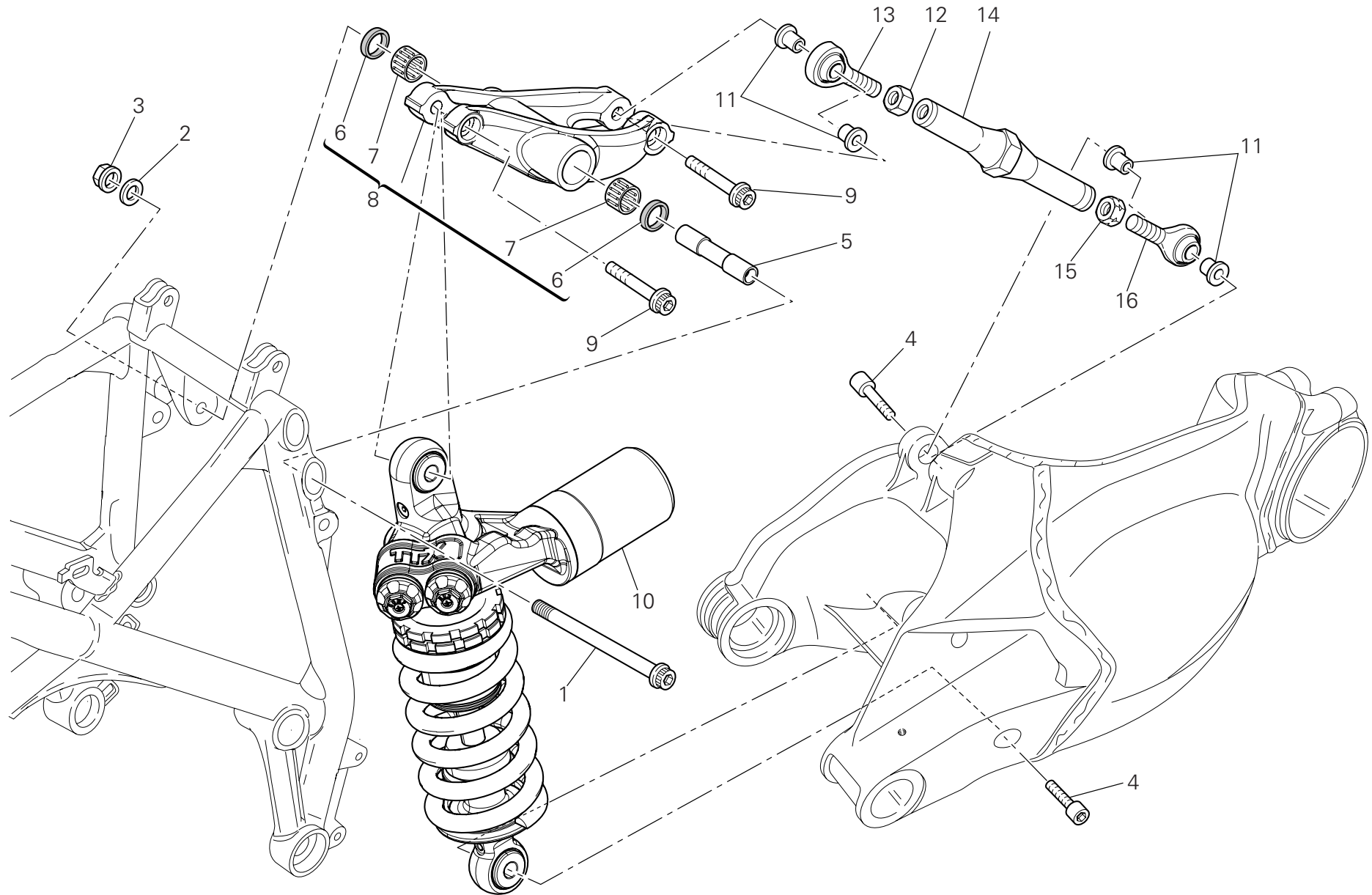
DRAWING **027a** Number plate holder

NOTES NO.	CODE NO.	DESCRIPTION	VALIDITY	Q.TY 
1	561.1.025.1A	Number plate holder		1
2	750.1.150.1A	Nut		2
3	866.1.075.1A	Pad		2
4	829.1.947.1A	Holder		1
5	771.1.039.1A	Screw		2
6	850.4.052.1A	Quik fastening		6
7	561.1.027.1A	Plate		1
8	529.1.010.1A	Reflector		3
9	771.5.048.8B	Screw		2
10	850.4.102.1A	Quik fastening		1
11	775.5.013.1A	Screw		3
12	771.5.639.8B	Screw		3
13	247.1.306.1A	Cover		1
14	530.1.021.1B	Turn indicator (rear) (R.H.)		1
15	775.5.001.3C	Screw		1
16	525.1.031.1A	Number plate light		1
17	852.4.009.1A	Washer		2
18	530.1.020.1B	Turn indicator (rear) (L.H.)		1
19	390.4.021.1A	Bulb 12V-10W RY10W		2
20	764.1.098.1A	Vibration damper pad		8
21	827.1.431.1A	Flange		2
22	749.4.111.8B	Nut		4
23	850.4.038.1A	Nut with clip		2
24	525.1.032.3A	Tail light		1
25	764.1.090.1A	Rubber pad		2
26	713.1.373.1A	Spacer		1
27	827.1.442.1A	Plate		1


NOTES NO.	CODE NO.	DESCRIPTION	VALIDITY	Q.TY 
28	713.1.419.1A	Spacer		2
29	0000.36230	Bulb		1

CATALOGUE No: 915.1.275.1H
ISSUED: 05 - 09

CATALOGUE No: 915.1.275.1H
ISSUED: 05 - 09

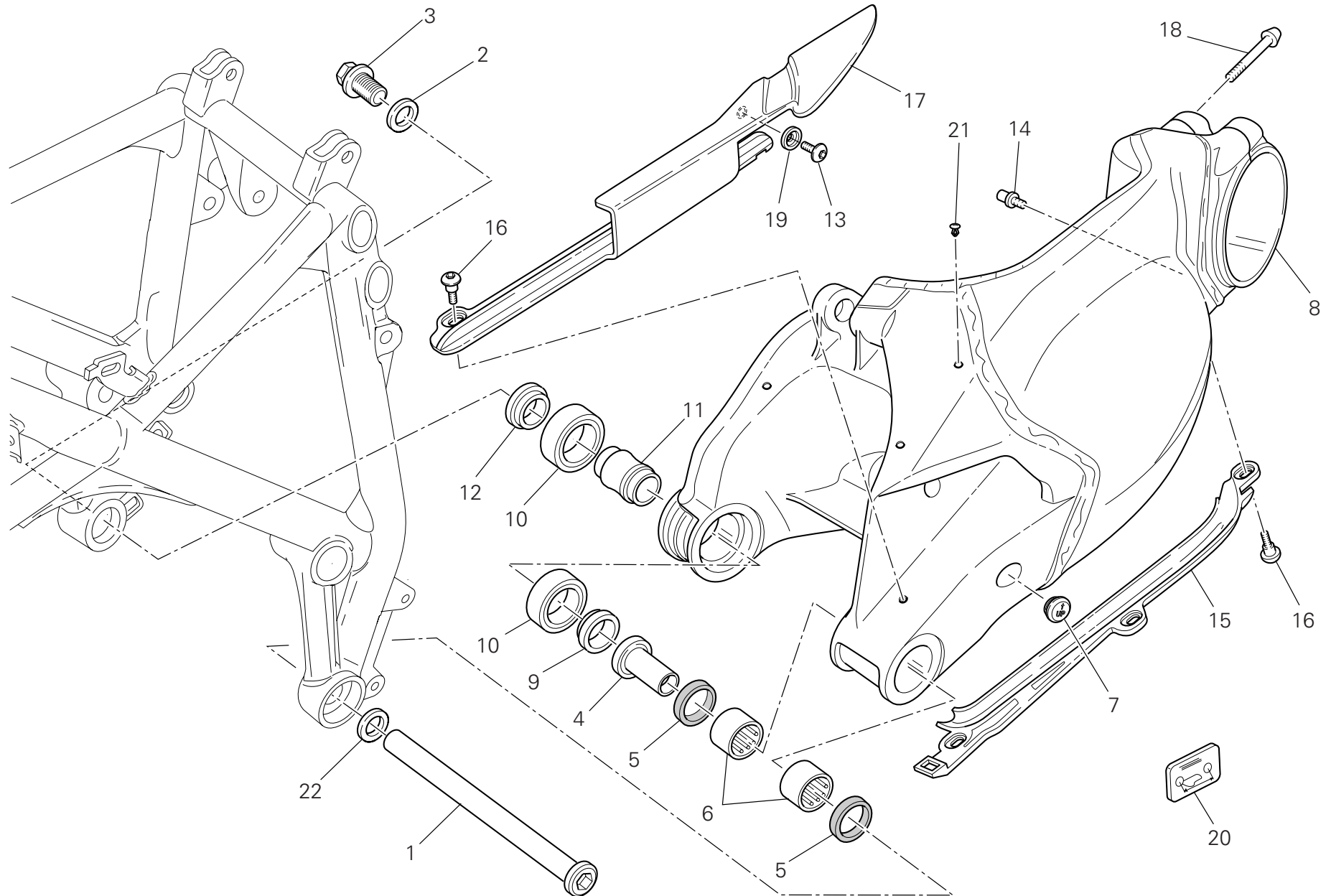


DRAWING **028** Rear suspension

NOTES NO.	CODE NO.	DESCRIPTION	VALIDITY	Q.TY 
1	771.1.031.1A	Screw		1
2	713.1.239.1A	Washer		1
3	748.4.037.1AB	Nut		1
4	779.1.504.1A	Screw		2
5	715.1.003.1A	Spacer		1
6	930.4.011.1A	Seal ring		2
7	701.4.004.1A	Needle bearing		2
8	372.2.062.2A	Rocker assembly		1
9	771.5.938.8B	Screw		2
10	365.2.084.1A	Shock absorber (OHLINS)		1
11	710.1.132.1A	Bush		4
12	750.1.021.1A	Nut		1
13	848.4.047.1A	Ball joint (R.H.)		1
14	875.1.128.1A	Tie rod		1
15	750.1.022.1A	Nut		1
16	848.4.048.1A	Ball joint (L.H.)		1

NOTES NO.	CODE NO.	DESCRIPTION	VALIDITY	Q.TY 
-----------	----------	-------------	----------	--

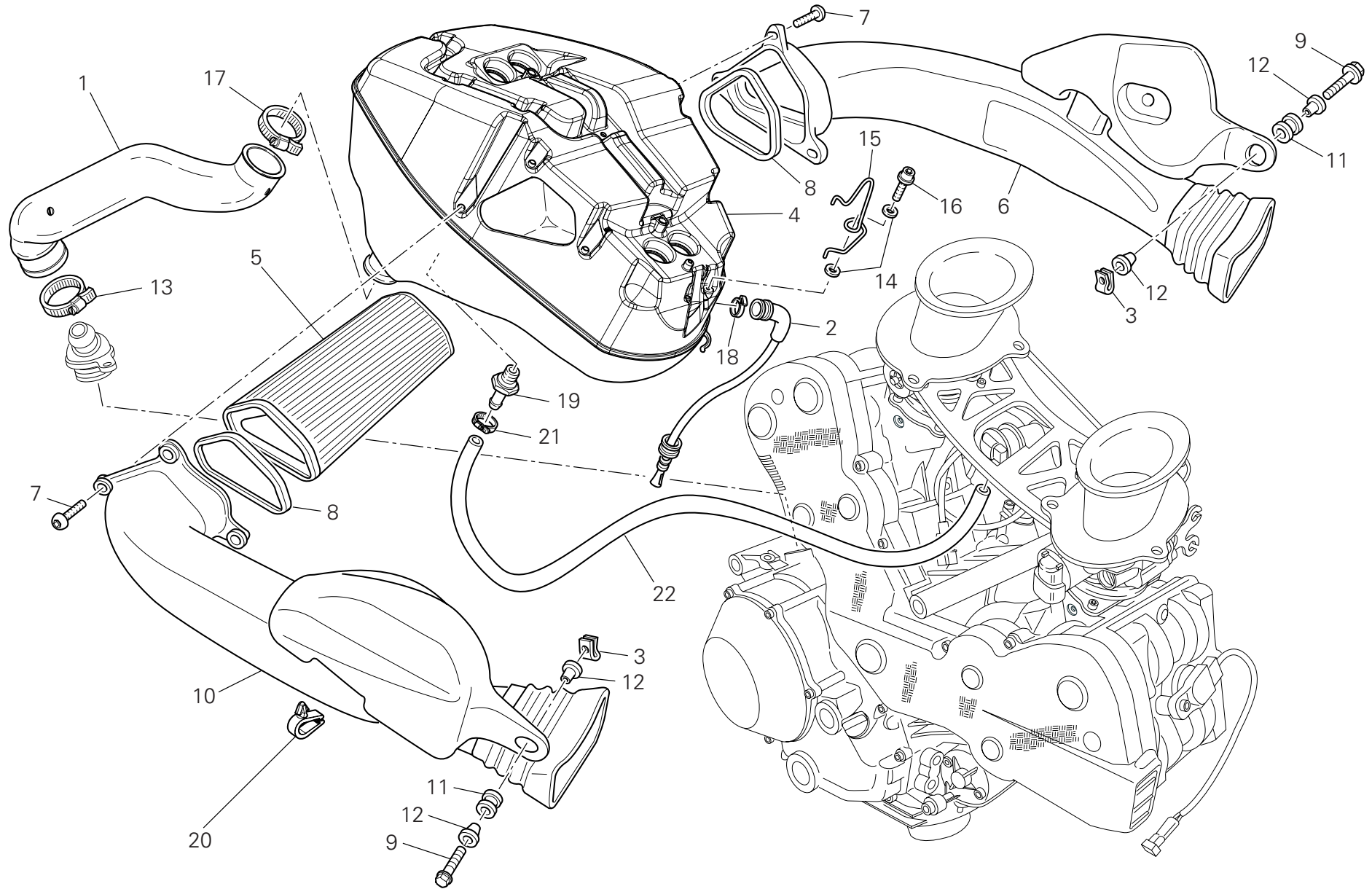
CATALOGUE No: 915.1.275.1H
ISSUED: 05 - 09CATALOGUE No: 915.1.275.1H
ISSUED: 05 - 09




DRAWING **028a** Swingarm

NOTES NO.	CODE NO.	DESCRIPTION	VALIDITY	Q.TY 
1	369.2.123.3A	Swingarm pivot		1
2	852.1.216.1A	Washer		1
3	772.1.078.2A	Special screw		1
4	710.1.109.1A	Bush		1
5	930.5.012.1A	Seal ring		2
6	701.4.017.1A	Needle bearing		2
7	872.1.054.2A	Cap		1
8	370.2.076.4CB	Complete swingarm		1
9	712.1.029.1A	Spacer		1
10	702.5.045.1A	Bearing		2
11	713.1.187.1A	Spacer		1
12	712.1.030.1A	Spacer		1
13	775.1.019.1A	Screw		1
14	832.1.003.1C	Pin		1
15	447.1.069.1A	Lower chain sliding shoe		1
16	779.1.440.2A	Special screw		4
17	447.1.070.1A	Upper chain sliding shoer		1
18	779.1.503.1A	Screw		2
19	841.1.050.1A	Retainer		1
20	433.1.339.1A	Chain adjustment sticker		1
21	872.4.044.1A	Cap		3
22	852.1.144.1A	Spacer th. 1,4		1

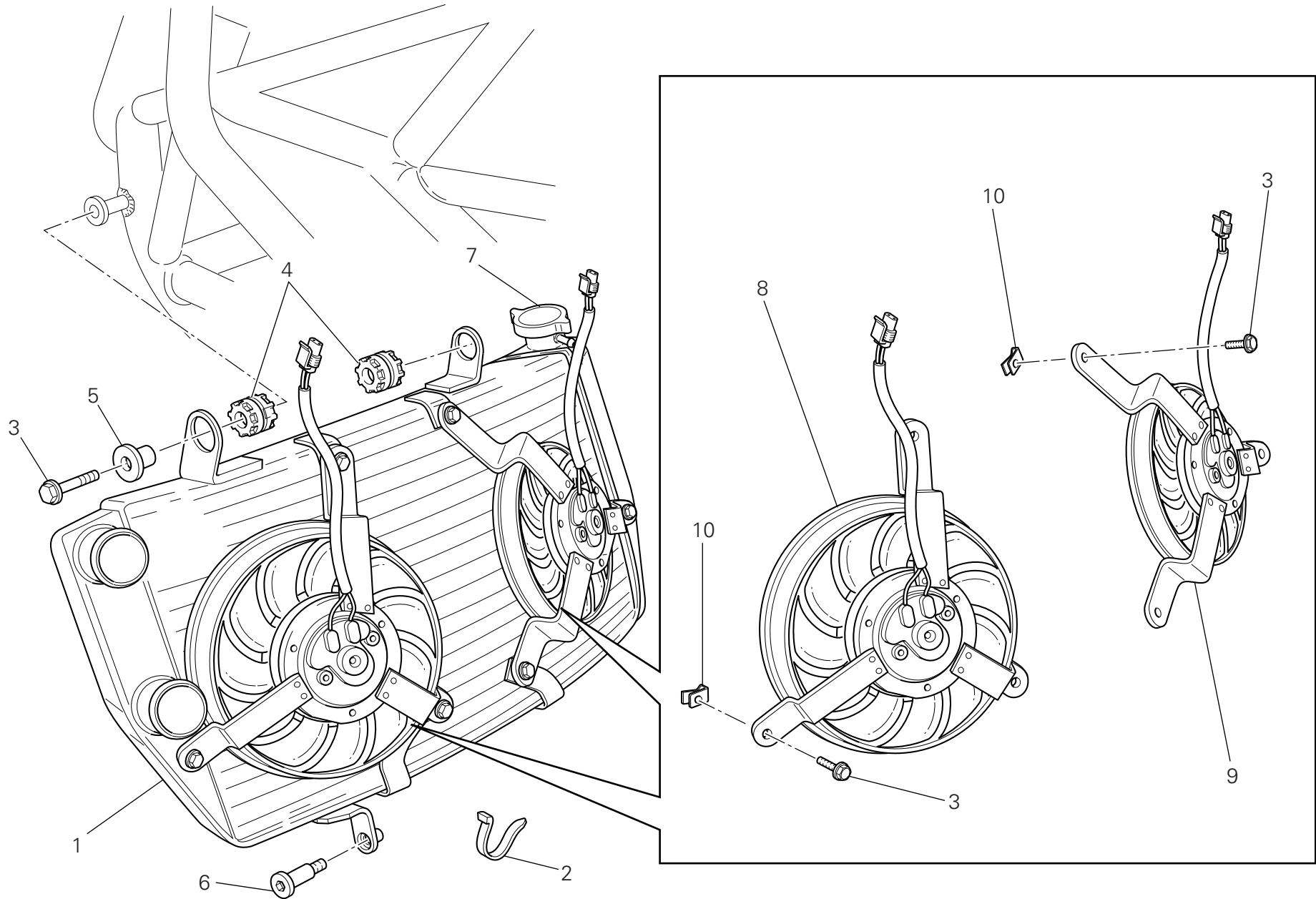
NOTES NO.	CODE NO.	DESCRIPTION	VALIDITY	Q.TY 
-----------	----------	-------------	----------	--



DRAWING **029** Air intake - oil breather


NOTES NO.	CODE NO.	DESCRIPTION	VALIDITY	Q.TY 
1	876.1.102.2B	Breather pipe		1
2	877.2.006.1B	Tube		1
3	850.4.038.1A	Nut with clip		2
4	442.1.165.1A	Airbox		1
5	426.1.020.1A	Air filter		1
6	442.1.148.2A	Air manifold (L.H.)		1
7	772.1.042.2A	Screw		6
8	788.1.098.1A	Gasket		2
9	772.5.038.1AB	Screw		2
10	442.1.149.2A	Air manifold (R.H.)		1
11	764.1.056.1B	Rubber pad		2
12	716.1.043.1B	Spacer		4
13	741.4.186.1A	Clamp		1
14	852.1.251.1A	Washer		2
15	758.1.036.1A	Fairlead		1
16	773.1.005.1A	Screw		1
17	741.4.165.1A	Clamp		1
18	741.4.063.1A	Hose guide		1
19	814.1.311.1A	Pressure pick-up point		1
20	758.4.015.1A	Fairlead		1
21	741.4.064.1A	Hose guide		1
22	934.1.010.1A	Tube		1

NOTES NO.	CODE NO.	DESCRIPTION	VALIDITY	Q.TY 
-----------	----------	-------------	----------	--

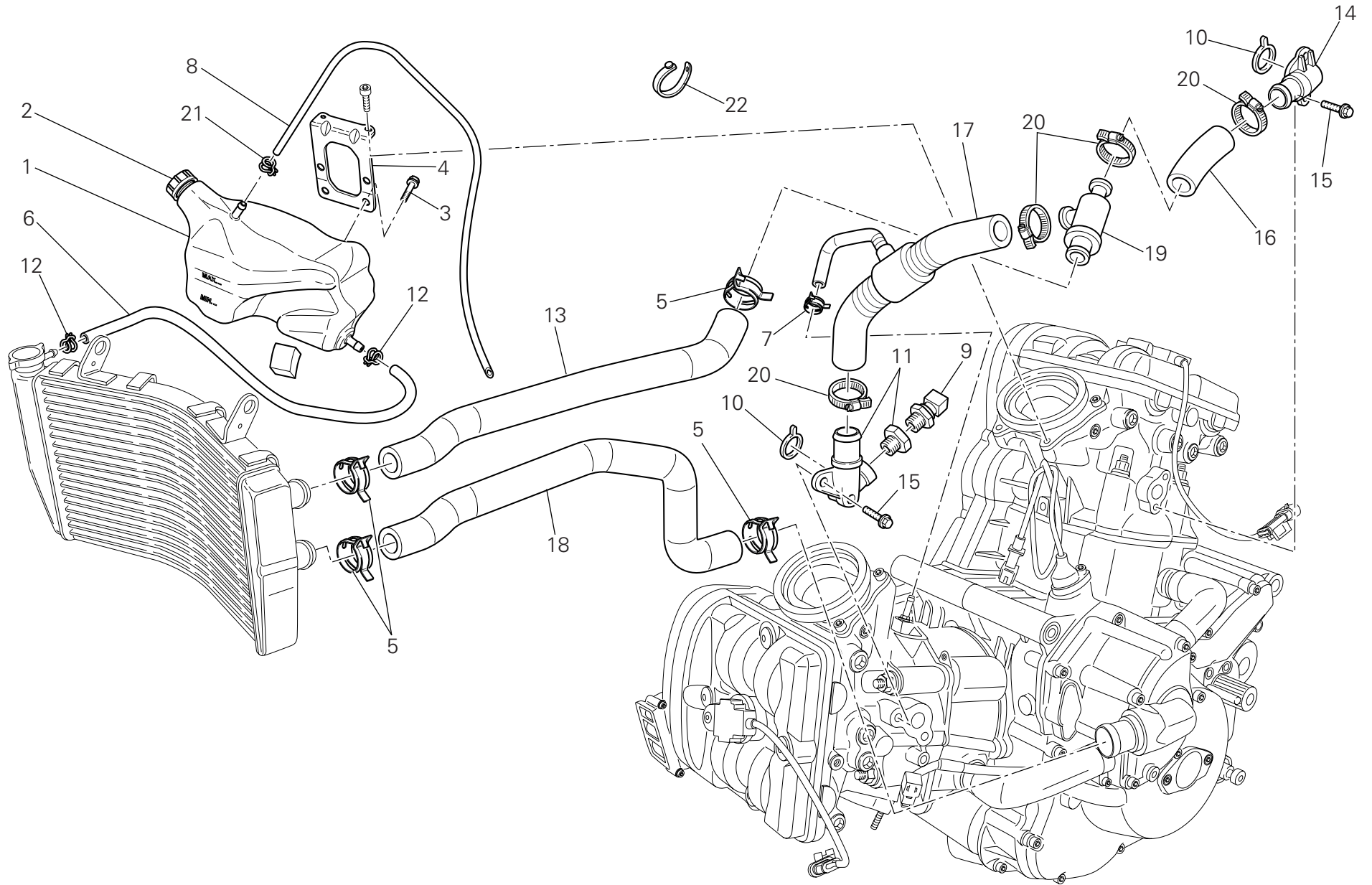


DRAWING **030**


Radiator

NOTES NO.	CODE NO.	DESCRIPTION	VALIDITY	Q.TY 
1	548.4.074.1B	Water radiator	f.m.024189	1
1	548.4.074.2B	Water radiator	d.m.024190	1
2	741.4.038.1A	Hose guide		2
3	772.5.103.8B	Screw		7
4	764.1.022.1A	Vibration damper pad		2
5	716.1.419.1A	Spacer		1
6	779.1.202.1B	Special screw		1
7	872.4.060.1A	Cap		1
8	550.4.018.1A	Electric fan (L.H.)		1
9	550.4.017.1A	Electric fan (R.H.)		1
10	850.1.197.1A	Quik fastening		6

NOTES NO.	CODE NO.	DESCRIPTION	VALIDITY	Q.TY 
-----------	----------	-------------	----------	--

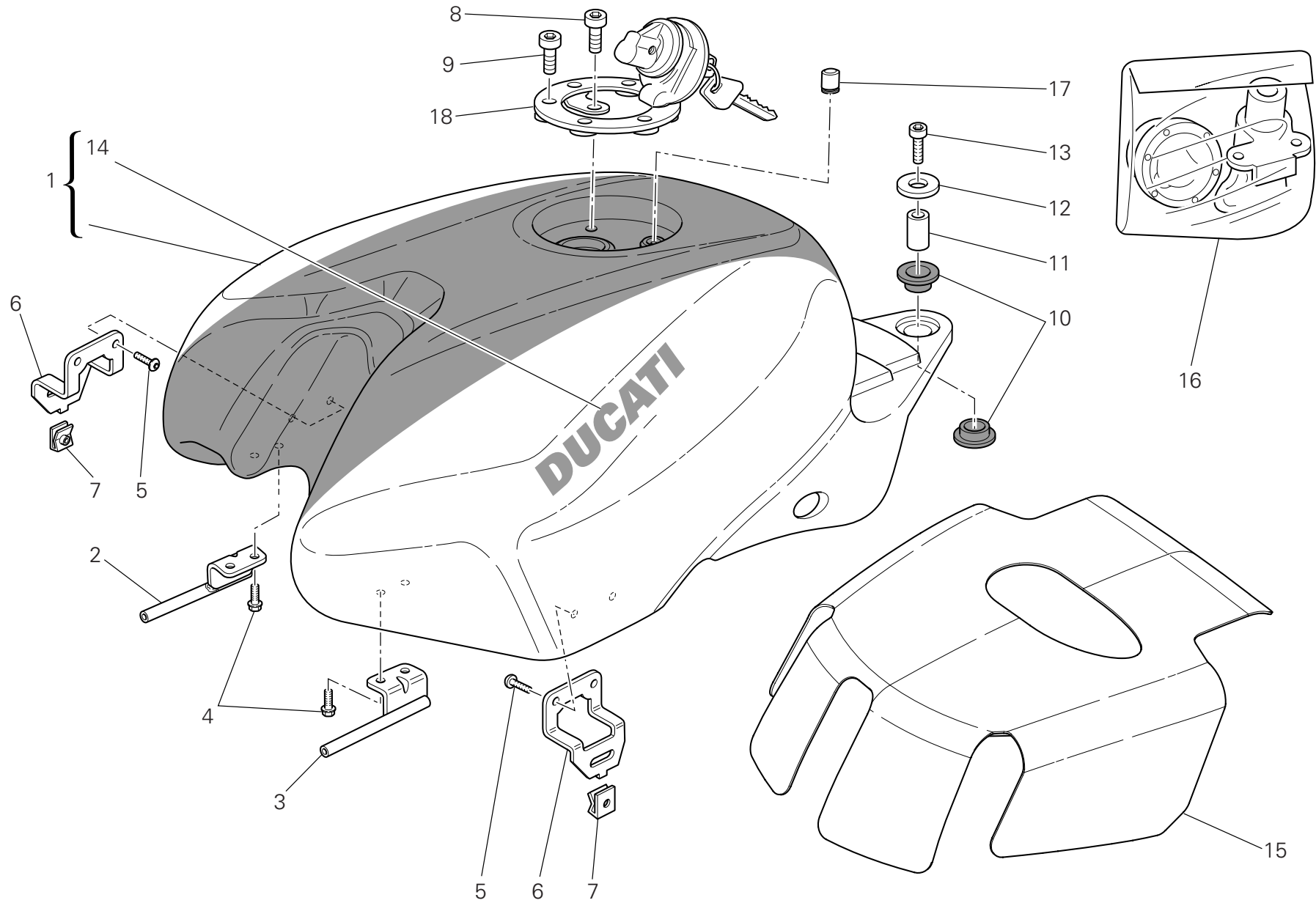


DRAWING **031** Cooling system


NOTES NO.	CODE NO.	DESCRIPTION	VALIDITY	Q.TY 
1	585.1.057.1A	Water tank		1
2	893.1.007.1A	Tank cap		1
3	772.1.059.1A	Screw		2
4	830.1.429.1A	Bracket		1
5	741.4.188.1A	Clamp		4
6	934.1.005.1A	Breather pipe		1
7	741.4.001.1A	Hose guide		1
8	934.1.006.1A	Breather pipe		1
9	552.4.013.1A	Sensor		1
10	886.4.103.1A	O-ring		2
11	814.1.236.1C	Water outlet union (horizontal)		1
12	8A00.67610	Hose guide		2
13	800.1.152.1B	Hose		1
14	814.1.235.1B	Water outlet union (vertical)		1
15	772.1.062.1A	Screw		4
16	800.1.151.1A	Hose		1
17	800.1.150.1A	Hose		1
18	800.1.153.1B	Hose		1
19	553.4.004.1A	Thermostat		1
20	741.4.181.1A	Clamp		4
21	741.4.171.1A	Clamp		1
22	741.1.013.1A	Hose guide		2

NOTES NO.	CODE NO.	DESCRIPTION	VALIDITY	Q.TY 
-----------	----------	-------------	----------	--

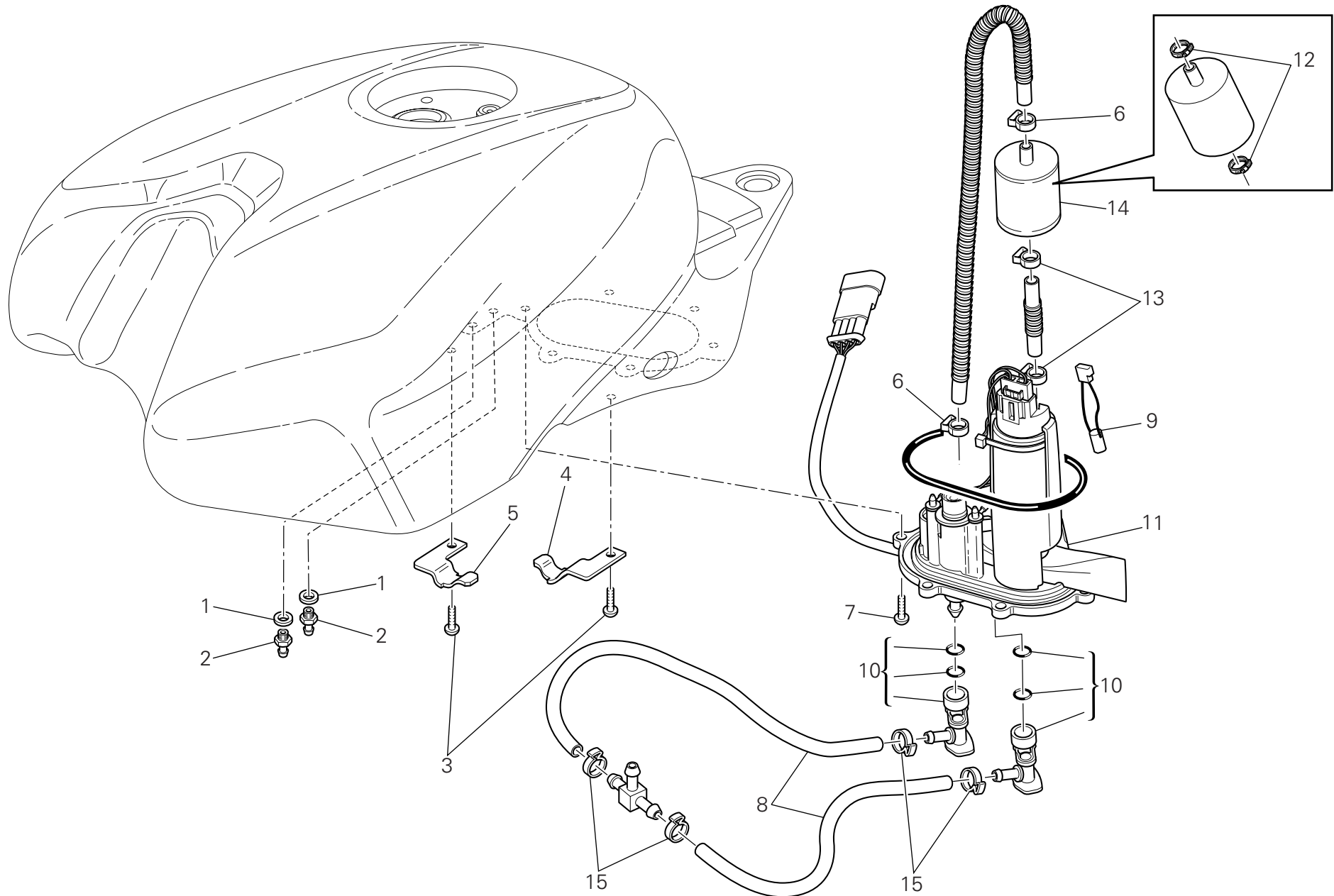
CATALOGUE No: 915.1.275.1H
ISSUED: 05 - 09CATALOGUE No: 915.1.275.1H
ISSUED: 05 - 09




DRAWING **032** Fuel tank

NOTES NO.	CODE NO.	DESCRIPTION	VALIDITY	Q.TY 
1	586.1.160.2CT	Tank (RED/WHITE) (BAYLISS)		1
2	587.1.051.2A	Tank front connection (R.H.)		1
3	587.1.052.2A	Tank front connection (L.H.)		1
4	772.1.050.1C	Screw		4
5	775.1.051.1A	Screw		4
6	830.1.431.1A	Holder		2
7	850.4.055.1A	Nut with clip		2
8	771.5.040.8B	Screw		1
9	771.5.045.7E	Screw		3
10	764.1.001.1A	Rubber pad		2
11	713.1.330.1A	Spacer		1
12	852.1.099.1A	Washer		1
13	771.5.728.8B	Screw		1
14	438.1.365.1AR	Sticker "DUCATI" (RED) (BAYLISS)		2
15	486.1.075.2A	Panel		1
16	598.2.054.1A	Locks kit		1
17	791.1.039.1A	Gasket		1
18	895.2.007.1A	Tank cap		1

NOTES NO.	CODE NO.	DESCRIPTION	VALIDITY	Q.TY 
-----------	----------	-------------	----------	--

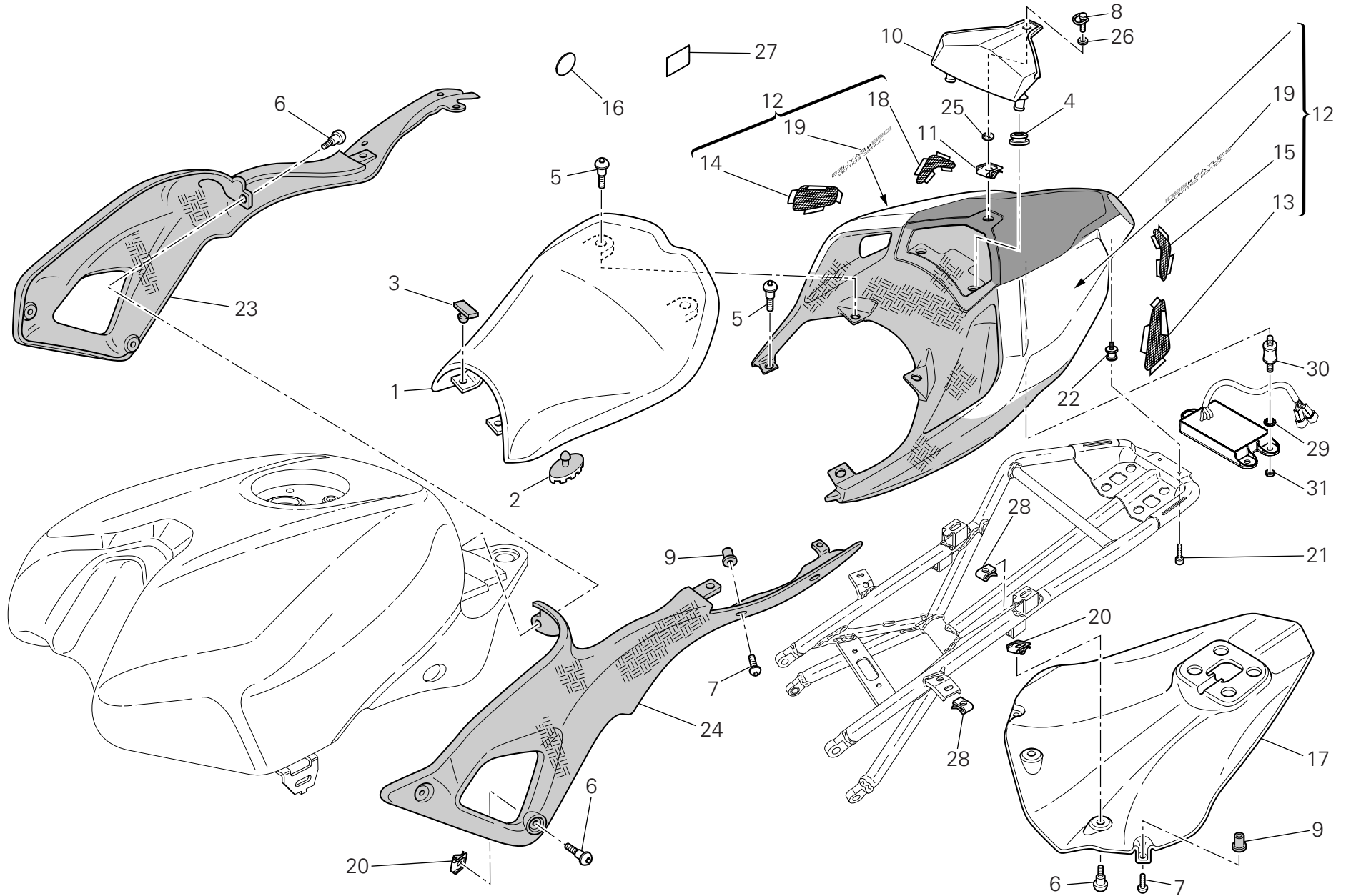


DRAWING **032a** Fuel system

NOTES NO.	CODE NO.	DESCRIPTION	VALIDITY	Q.TY 
1	886.1.013.1A	Gasket		2
2	850.1.006.1A	Union		2
3	775.1.051.1A	Screw		2
4	830.1.433.1A	Plate		1
5	830.1.432.1A	Plate		1
6	741.4.092.1A	collar		2
7	775.1.017.1B	Screw		6
8	590.1.300.1A	Tube		2
9	552.4.048.1A	Thermistor		1
10	814.4.010.1A	Quick-coupling union		2
11	160.2.366.1A	Flange		1
12	699.2.345.1A	Clamps kit		1
13	741.4.158.1A	Clamp		2
14	425.4.004.1B	Fuel filter		1
15	287.4.024.1B	Clamp		4


NOTES NO.	CODE NO.	DESCRIPTION	VALIDITY	Q.TY 
-----------	----------	-------------	----------	--

CATALOGUE No: 915.1.275.1H
ISSUED: 05 - 09CATALOGUE No: 915.1.275.1H
ISSUED: 05 - 09

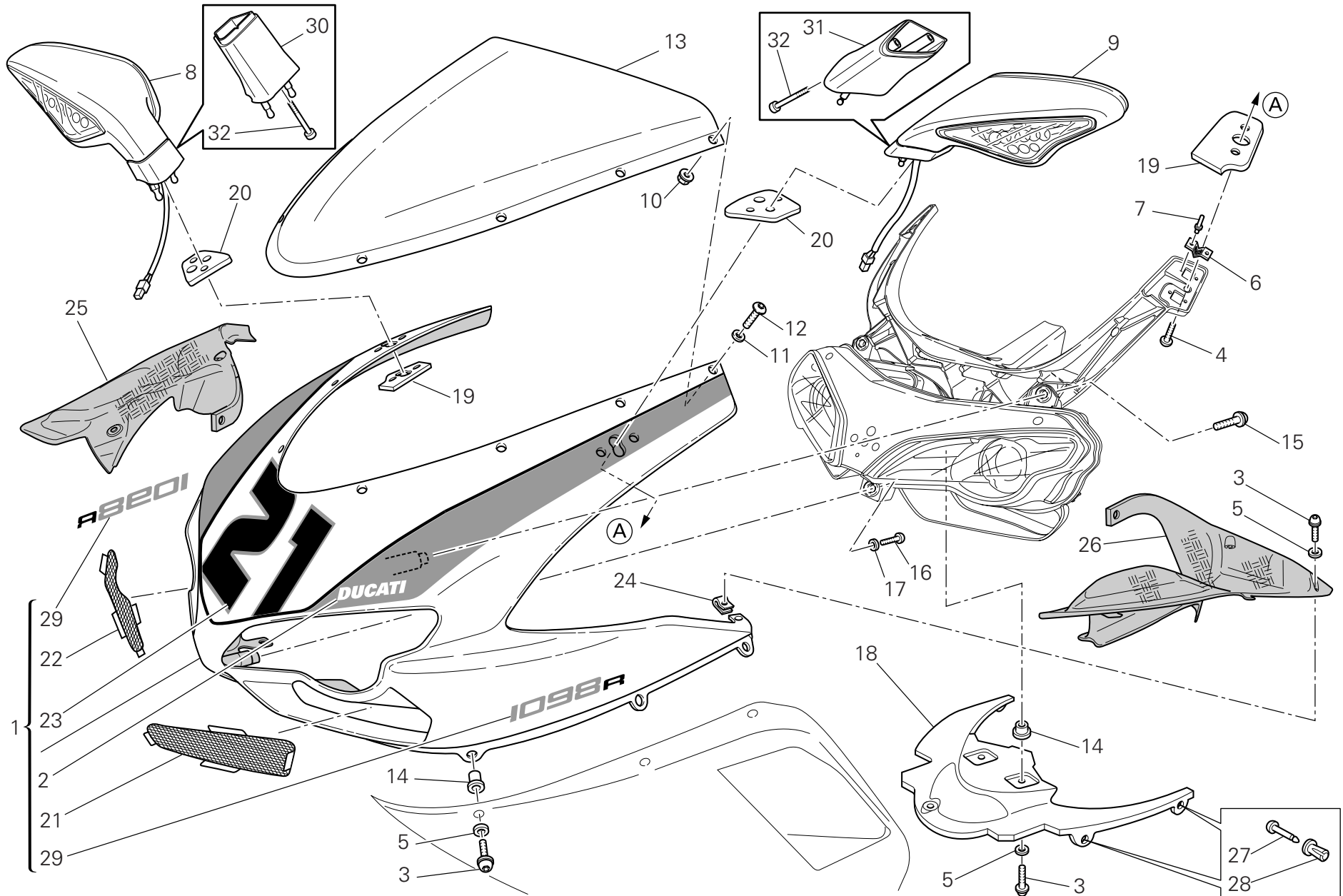


DRAWING **033** Seat


NOTES NO.	CODE NO.	DESCRIPTION	VALIDITY	Q.TY 
1	595.1.080.1A	Seat		1
2	866.1.019.1A	Rubber pad (big)		4
3	866.1.030.1A	Rubber pad (little)		2
4	764.1.067.1A	Rubber pad		2
5	772.1.084.2A	Special screw		8
6	772.1.085.3B	Special screw		7
7	772.1.086.1B	Special screw		6
8	850.4.128.1A	Screw		1
9	850.4.082.1A	Insert		6
10	247.1.332.1A	Seat back		1
11	850.4.132.1A	Nut with clip		1
12	483.2.062.1AT	Single-seater tail guard (CARBON) (RED/WHITE) (BAYLISS)		1
13	460.1.259.1A	Net (front) (L.H.)		1
14	460.1.260.1A	Net (front) (R.H.)		1
15	460.1.261.2A	Net (rear) (L.H.)		1
16	926.1.006.1A	Protection		2
17	460.1.246.1A	Tail guard thermal protection		1
18	460.1.262.2A	Net (rear) (R.H.)		1
19	438.1.073.1AT	Sticker "1098R" (rear) (BAYLISS)		2
20	850.4.047.1A	Nut with clip		4
21	771.5.038.8B	Screw		2
22	713.1.418.1A	Spacer		2
23	482.Z.002.1A	Body panel (R.H.) (CARBON)		1
24	482.Z.002.1B	Body panel (L.H.) (CARBON)		1
25	850.4.130.1A	Check ring		1
26	850.4.129.1A	Washer		1

NOTES NO.	CODE NO.	DESCRIPTION	VALIDITY	Q.TY 
27	926.1.010.1A	Heat guard		8
28	850.4.055.1A	Nut with clip		4
29	462.4.046.1A	Spring washer		3
30	700.1.043.1A	Vibration damper		3
31	748.4.038.1A	Nut		3


CATALOGUE No: 915.1.275.1H
ISSUED: 05 - 09CATALOGUE No: 915.1.275.1H
ISSUED: 05 - 09



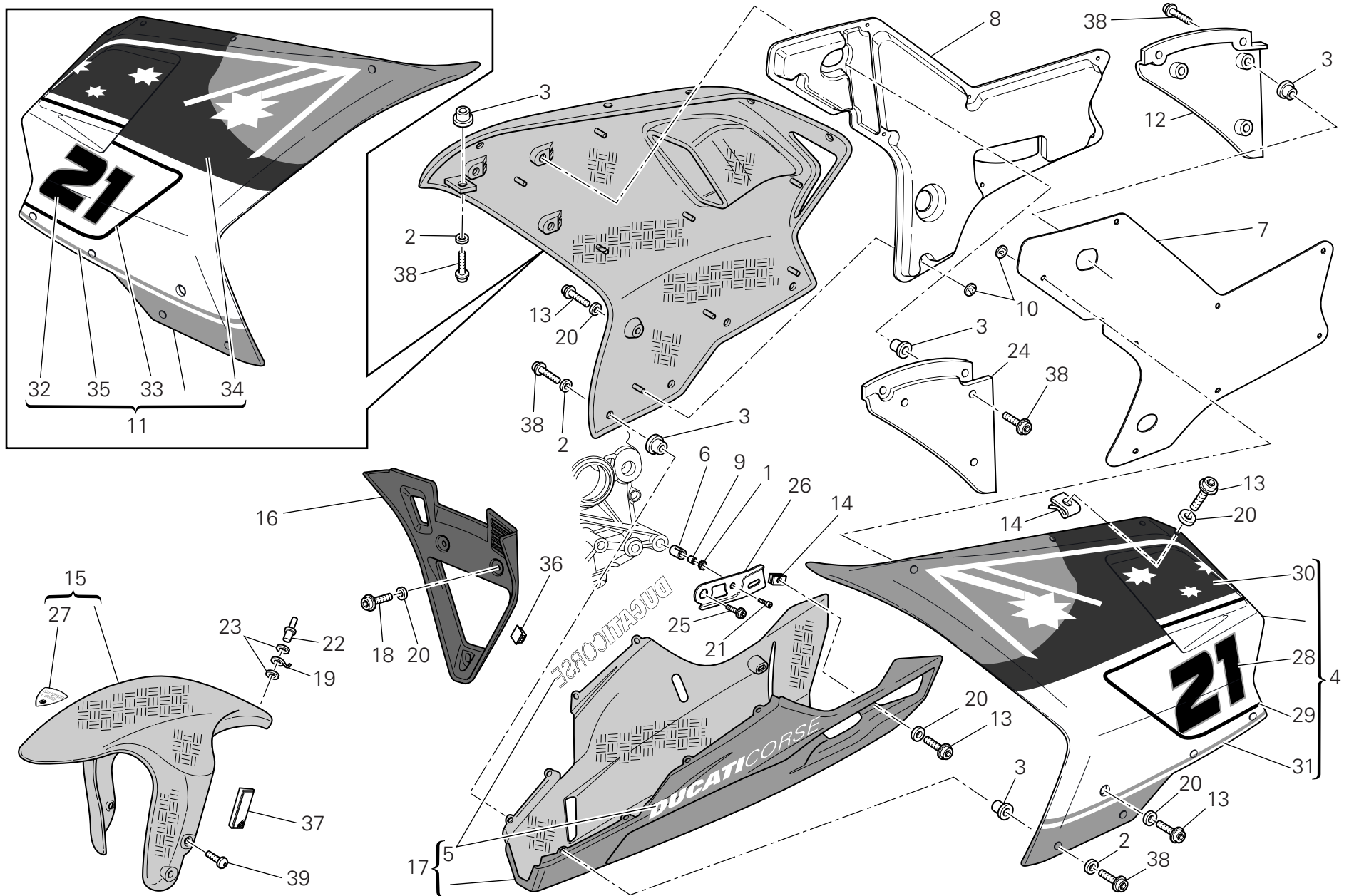
DRAWING **034** Headlight fairing

NOTES NO.	CODE NO.	DESCRIPTION	VALIDITY	Q.TY 
1	481.2.042.1AT	Headlight fairing (RED/WHITE) (BAYLISS)		1
2	438.1.061.1AR	Sticker "Headlight fairing" (BAYLISS)		1
3	772.1.086.1B	Special screw		15
4	779.1.544.1A	Screw		2
5	856.1.136.1A	Washer		15
6	799.1.228.1A	Spring		4
7	736.4.012.1A	Shear rivet		8
8	523.1.020.2D	Rear-view mirror (R.H.)		1
9	523.1.021.2D	Rear-view mirror (L.H.)		1
10	750.1.028.1A	Nut		8
11	852.1.024.1A	Nylon washer		8
12	775.1.007.1AB	Special screw		8
13	487.1.039.2A	Windshield		1
14	850.4.082.1A	Insert		10
15	772.5.101.8B	Screw		2
16	779.5.046.1A	Screw		1
17	852.5.029.1A	Washer		1
18	460.1.247.1A	Mudflap		1
19	866.1.077.1A	Pad		2
20	866.1.076.3A	Pad		2
21	460.1.278.1A	Protection (L.H.)		1
22	460.1.277.1A	Protection (R.H.)		1
23	438.1.327.1B	Decal "21" (BAYLISS)		1
24	850.4.047.1A	Nut with clip		4
25	460.Z.002.1A	Protection (R.H.) (CARBON)		1
26	460.Z.002.1B	Protection (L.H.) (CARBON)		1
27	850.4.104.1A	Pin		4

CATALOGUE No: 915.1.275.1H
ISSUED: 05 - 09

NOTES NO.	CODE NO.	DESCRIPTION	VALIDITY	Q.TY 
28	850.4.105.1A	Bush		4
29	434.1.007.1C	Sticker "1098R" (front) (RED/BLACK) (BAYLISS)		2
30	713.1.460.1A	Spacer (long) (R.H.)		1
31	713.1.461.1A	Spacer (long) (L.H.)		1
32	771.5.028.8B	Screw		4


CATALOGUE No: 915.1.275.1H
ISSUED: 05 - 09



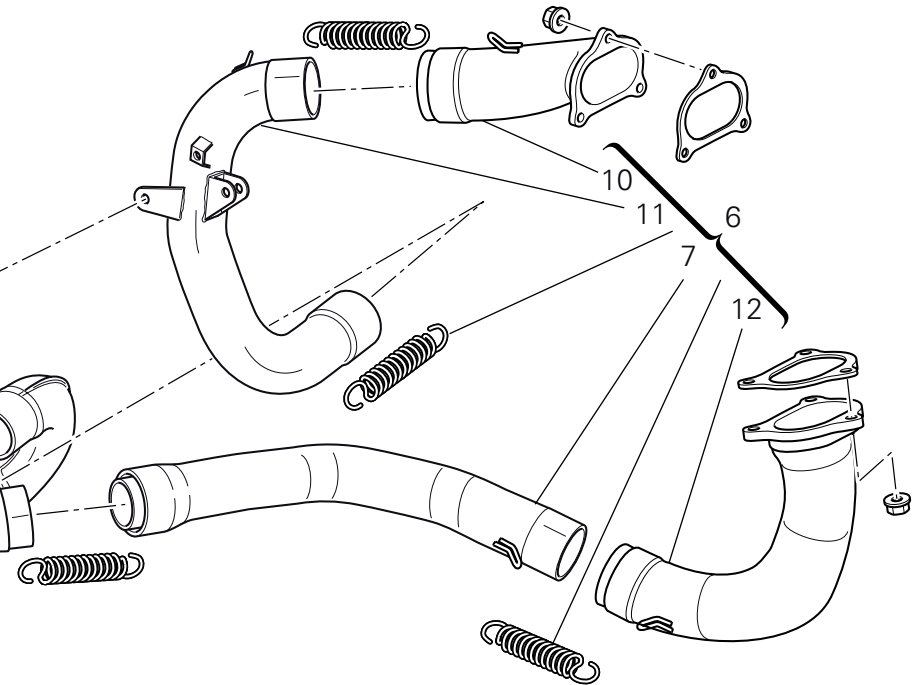
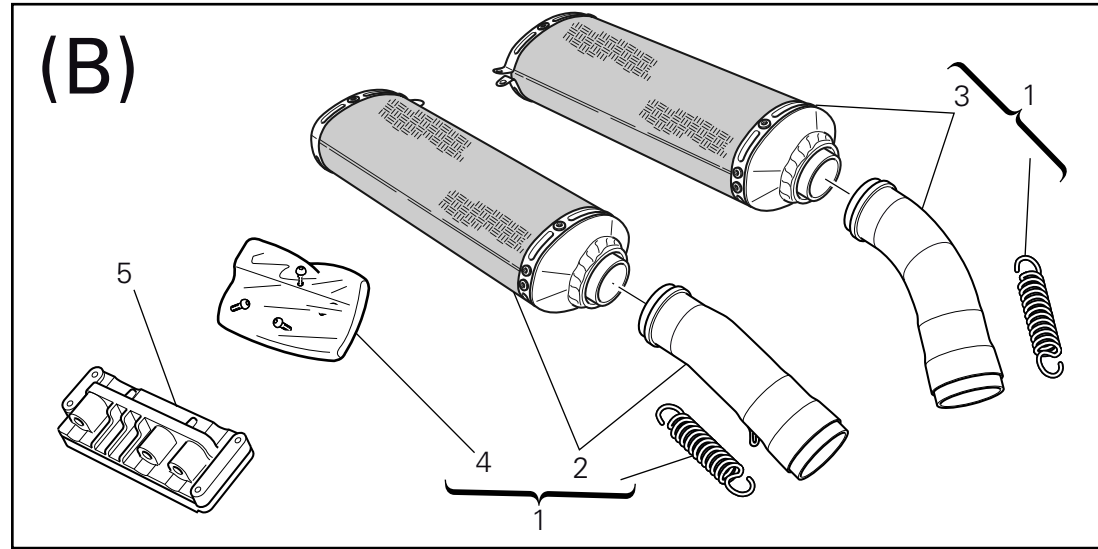
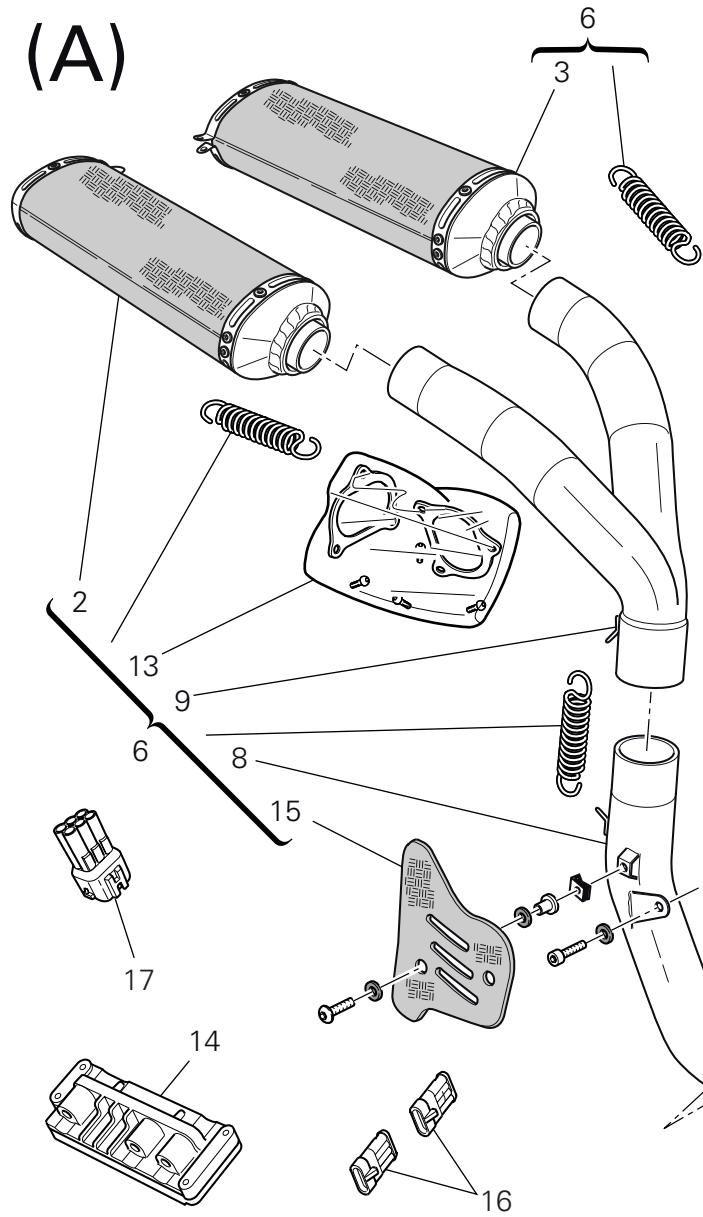
DRAWING **034a** Fairing

NOTES NO.	CODE NO.	DESCRIPTION	VALIDITY	Q.TY 
1	852.4.008.1A	Spring washer		1
2	856.1.136.1A	Washer		10
3	850.4.082.1A	Insert		14
4	480.1.260.1AT	L.H. upper half-fairing (BAYLISS)		1
4	480.3.227.3A	L.H. upper half-fairing (unpainted)		1
5	438.1.068.1A	Sticker "DUCATI CORSE" (WHITE)		2
6	711.1.072.1B	Bush		1
7	486.1.073.2A	Panel (L.H.)		1
8	486.1.074.2A	Panel (R.H.)		1
9	710.1.032.1A	Bush		1
10	850.4.109.1A	Washer		16
11	480.1.261.1AT	R.H. upper half-fairing (BAYLISS)		1
11	480.3.229.3A	R.H. upper half-fairing (unpainted)		1
12	460.1.249.1A	Panel (L.H.)		1
13	772.1.085.3B	Special screw		8
14	850.4.055.1A	Nut with clip		5
15	564.2.055.1C	Front mudguard assembly (CARBON)		1
16	484.1.060.1AG	Air manifold (MATT BLACK)		1
17	480.1.262.2AT	Belly pan (CARBON) (RED) (BAYLISS)		1
18	772.1.094.3B	Special screw		3
19	850.1.003.1A	Clip		1
20	852.1.218.1A	Nylon washer		11
21	771.5.669.8B	Screw		1
22	736.4.013.1B	Shear rivet		1
23	852.1.075.1B	Washer		2
24	460.1.248.1A	Panel (R.H.)		1
25	771.5.752.8B	Screw		1

CATALOGUE No: 915.1.275.1H
ISSUED: 05 - 09

NOTES NO.	CODE NO.	DESCRIPTION	VALIDITY	Q.TY 
26	830.1.423.2A	Bracket		1
27	438.1.453.1B	Sticker "Front mudguard"		1
28	438.1.069.1B	Decal "21" (L.H.)		1
29	438.1.070.1B	Black strip (L.H.)		1
30	438.1.071.1B	AUS flag sticker (L.H.)		1
31	438.1.079.1B	Red strip (L.H.)		1
32	438.1.069.1A	Decal "21" (R.H.)		1
33	438.1.070.1A	Black strip (R.H.)		1
34	438.1.071.1A	AUS flag sticker (R.H.)		1
35	438.1.078.1A	Red strip (R.H.)		1
36	758.4.018.1A	Hose guide		1
37	529.1.008.1AB	Cat's eye (AMBER)		2
38	772.1.086.1B	Special screw		16
39	772.1.089.3B	Screw		4

CATALOGUE No: 915.1.275.1H
ISSUED: 05 - 09

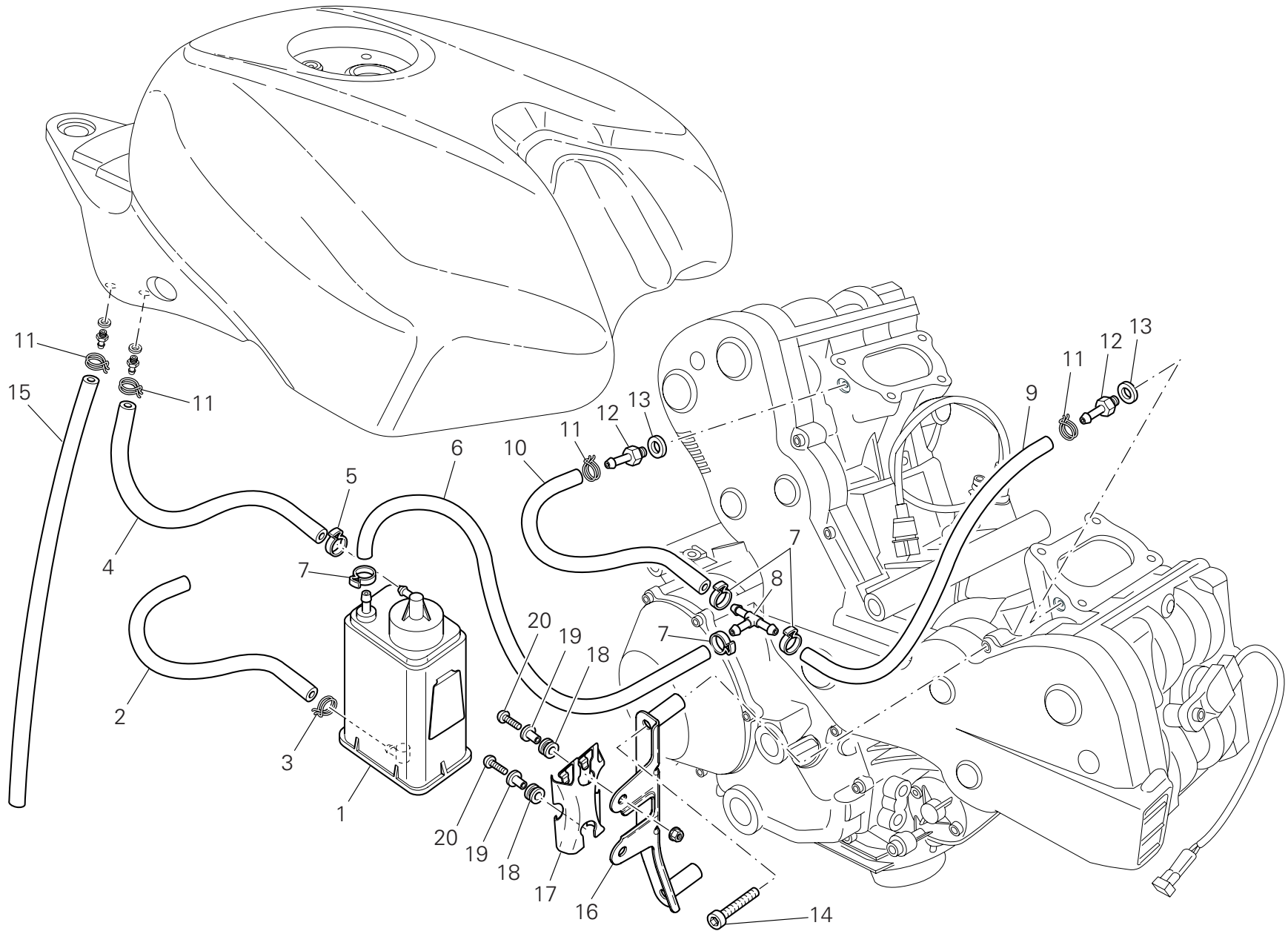


DRAWING **035**

Exhaust kit (a) / silencer kit (b)


NOTES NO.	CODE NO.	DESCRIPTION	VALIDITY	Q.TY 
1	961.1.610.7B	Silencer kit		1
2	963.1.100.7B	Silencer (R.H.)		1
3	963.1.110.7B	Silencer (L.H.)		1
4	963.1.120.7B	Small parts kit		1
5	286.4.184.1A	Injection control unit		1
6	961.1.960.8B	Exhaust kit		1
7	961.1.910.7B	Exhaust pipe (horizontal)		1
8	961.1.750.7BA	Centre exhaust pipe		1
9	961.1.760.7B	Exhaust pipe - end section		1
10	961.1.980.8B	Vertical head fitting		1
11	961.1.740.7BA	Exhaust pipe (vertical)		1
12	961.1.970.8B	Horizontal head fitting		1
13	961.1.770.7B	Small parts kit		1
14	286.4.184.1C	Injection control unit		1
15	969.8.180.7B	Heat guard (CARBON)		1
16	967.5.330.5B	Lambda sensor cap		2
17	967.5.790.7B	Exhaust valve cap		1

NOTES NO.	CODE NO.	DESCRIPTION	VALIDITY	Q.TY 
-----------	----------	-------------	----------	--



DRAWING **036**

Evaporative emissions canister

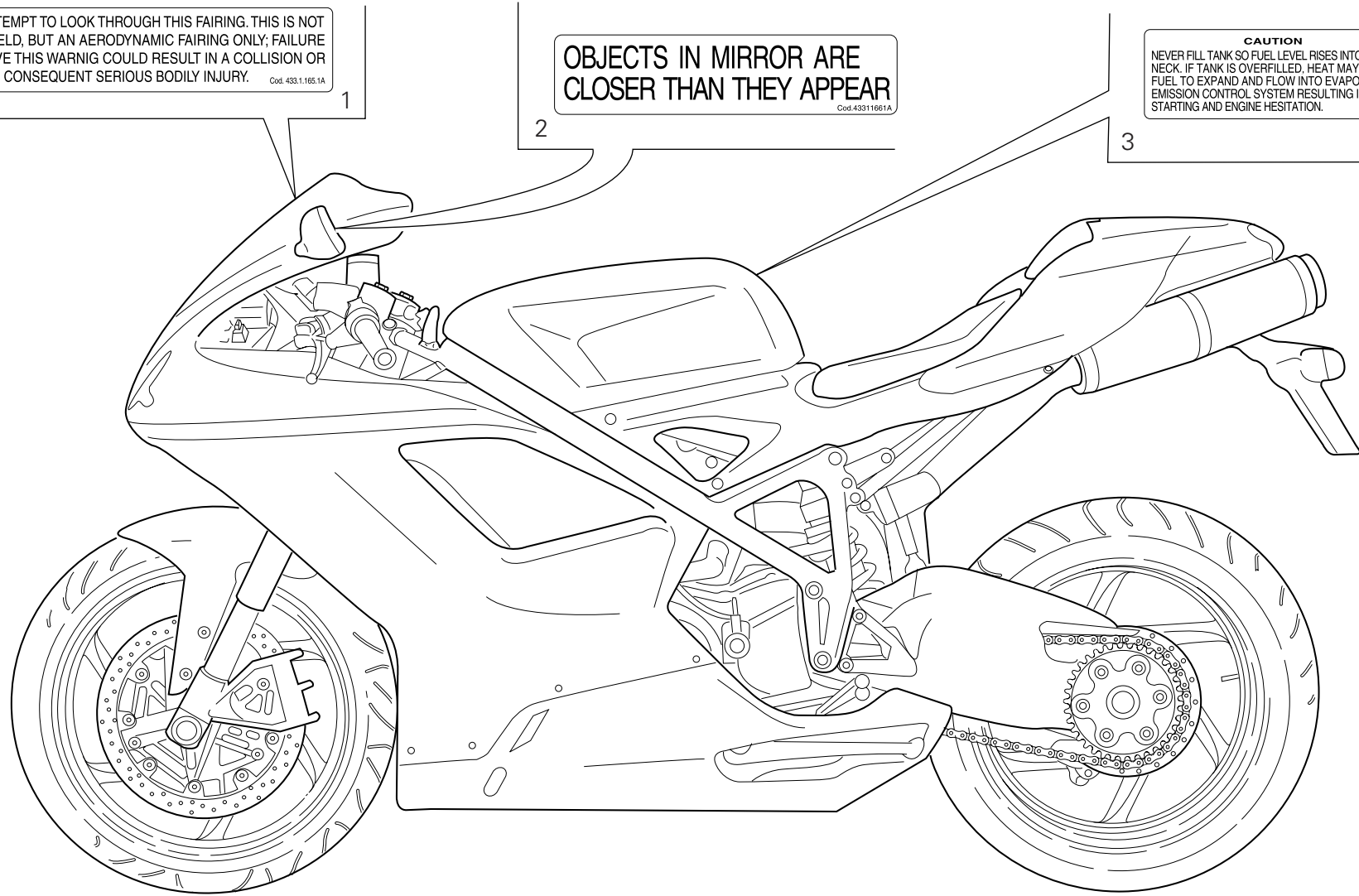
NOTES NO.	CODE NO.	DESCRIPTION	VALIDITY	Q.TY 
1	426.1.007.1A	Canister filter		1
2	590.1.307.1B	Tube		1
3	741.4.057.1A	Hose guide		1
4	590.1.254.1B	Filter/fuel tank outlet pipe		1
5	741.4.063.1A	Hose guide		1
6	590.1.309.1B	Tube		1
7	741.4.058.1A	Clamp		4
8	814.1.183.1A	Shunt valve		1
9	590.1.308.1B	Tube		1
10	590.1.310.1B	Tube		1
11	741.4.043.1A	Hose guide		4
12	814.1.111.3B	Union		2
13	852.5.023.1A	Gasket		2
14	771.5.074.8B	Screw		2
15	934.1.007.1A	Breather pipe		1
16	830.1.448.1A	Bracket		1
17	827.1.157.1A	Plate		1
18	764.1.029.1A	Rubber pad		2
19	716.1.043.1B	Spacer		2
20	775.5.013.1A	Screw		2

NOTES NO.	CODE NO.	DESCRIPTION	VALIDITY	Q.TY 
-----------	----------	-------------	----------	--

DO NOT ATTEMPT TO LOOK THROUGH THIS FAIRING. THIS IS NOT A WINDSHIELD, BUT AN AERODYNAMIC FAIRING ONLY; FAILURE TO OBSERVE THIS WARNING COULD RESULT IN A COLLISION OR UPSET AND CONSEQUENT SERIOUS BODILY INJURY. Cod. 433.1.165.1A


OBJECTS IN MIRROR ARE CLOSER THAN THEY APPEAR Cod.43311661A

CAUTION
NEVER FILL TANK SO FUEL LEVEL RISES INTO FILLER NECK. IF TANK IS OVERFILLED, HEAT MAY CAUSE FUEL TO EXPAND AND FLOW INTO EVAPORATIVE EMISSION CONTROL SYSTEM RESULTING IN HARD STARTING AND ENGINE HESITATION. 046.051.160.11



DRAWING **037**

Data plate positions

NOTES NO.	CODE NO.	DESCRIPTION	VALIDITY	Q.TY 
1	433.1.165.1A	Sticker		1
2	433.1.166.1A	Label		2
3	433.1.164.1A	Sticker		1

NOTES NO.	CODE NO.	DESCRIPTION	VALIDITY	Q.TY 
-----------	----------	-------------	----------	--

Index

CODE No.	Drwg.	POS. N.	CODE No.	Drwg.	POS. N.	CODE No.	Drwg.	POS. N.	CODE No.	Drwg.	POS. N.	CODE No.	Drwg.	POS. N.
.....	014	1	0765.92.205	002	21	150.2.135.3A	003	28	184.1.010.2A	025	20	247.1.290.1A	009	19
.....	014	2	0799.13.110	002	27	156.2.062.1B	006	5	187.1.002.1A	023	3	247.1.297.1A	018	3
.....	015	1	112.1.012.1AD	006	8	160.1.094.1A	013	10	187.1.002.1A	024	22	247.1.299.1BB	022	11
.....	015	2	112.1.012.1AE	006	8	160.1.369.2B	026a	5	190.2.019.1A	004	8	247.1.300.1BB	022	8
0000.36230	027a	29	117.1.044.1A	025	18	160.1.370.1A	012	13	194.2.049.1A	004	12	247.1.305.1AG	011	23
0000.68490	024	14	117.1.088.2A	022	26	160.2.366.1A	032a	11	195.4.003.1A	004	22	247.1.306.1A	027a	13
0124.40.060	008	15	117.2.006.1A	004	5	160.2.397.1A	004	7	196.1.050.1A	004	10	247.1.332.1A	033	10
0251.47.054	003	1	117.2.099.1A	004	30	170.2.109.1A	004	17	198.1.029.1A	004	13	247.2.130.1AC	011	31
0272.91.090	002	8	120.2.170.1A	007	5	171.Z.003.1A	008	13	208.1.029.1D	014	3	251.2.008.1A	011	29
0370.49.250	010	22	120.2.171.1A	007	10	172.1.297.1A	003	10	208.1.029.1D	015	3	254.4.001.2A	005	4
0370.72.020	023	8	121.1.078.1B	007	3	172.1.298.3A	003	8	209.1.035.1D	014	16	255.1.010.4B	008	18
0370.72.020	024	12	121.1.248.1A	007	2	172.1.299.3A	003	5	209.1.035.1D	015	16	255.1.019.3A	013	7
0400.09.050	002	21	121.2.048.1B	007	4	172.1.300.3A	003	9	209.1.036.1D	014	4	264.4.017.1A	011	1
0400.29.125	002	29	122.2.158.4A	007	1	172.1.301.1A	003	18	209.1.036.1D	015	4	270.4.010.1A	012	1
0400.29.126	002	29	135.1.026.1A	017	7	172.1.302.3A	003	24	210.1.073.1A	014	14	276.1.038.2A	012	16
041.1.191.1A	001a	15	140.1.051.1B	017	1	172.1.303.3A	003	22	210.1.073.1A	015	14	280.4.015.1A	017	4
0660.13.143	002	9	140.1.059.2A	019	9	172.1.304.3A	003	21	211.1.071.2A	014	5	280.4.016.1A	017	13
0660.13.165	002	25	140.1.060.1A	019	4	172.1.305.1A	003	20	211.1.071.2A	015	5	282.4.081.2A	017	11
0660.16.145	004	21	146.2.150.1B	006	1	172.1.306.1A	003	23	225.2.220.1B	010	1	283.4.017.1A	017	15
0665.49.680	005	22	147.1.014.2A	008	3	173.1.022.1A	012	14	242.2.074.1AB	011	13	286.1.117.1C	018a	25
0670.16.150	003	3	148.2.362.1B	013	15	174.1.038.1A	009	12	243.1.025.1AF	005	1	286.2.040.1B	018a	23
0670.16.155	003	19	148.2.363.1B	013	11	174.2.038.1A	009	1	243.2.115.1AB	005	21	286.4.177.1C	018	15
0670.16.170	003	26	148.2.364.1B	013	14	176.1.020.1A	012	10	245.1.110.1A	008	2	286.4.177.1D	018	15
0670.49.310	009	17	148.2.365.1B	013	18	180.1.001.1A	002	11	245.1.111.1A	008	1	286.4.184.1A	035	5
0691.91.030	018a	28	149.1.079.1A	003	25	180.1.002.1A	002	12	245.2.112.1A	008	28	286.4.184.1C	035	14
0691.91.030	025	39	150.2.133.1A	003	2	180.1.008.1A	002	24	247.1.287.1B	013	5	287.4.024.1B	032a	15
0759.49.280	009	15	150.2.134.3A	003	27	182.2.030.3A	002	18	247.1.288.1B	013	6	301.2.270.1AB	015	22

CATALOGUE No: 915.1.275.1H
ISSUED: 05 - 09

CATALOGUE No: 915.1.275.1H
ISSUED: 05 - 09

Index

CODE No.	Drwg.	POS. N.	CODE No.	Drwg.	POS. N.	CODE No.	Drwg.	POS. N.	CODE No.	Drwg.	POS. N.	CODE No.	Drwg.	POS. N.
301.2.271.1AB	014	22	344.2.017.1B	021a	1	417.6.011.3A	014	20	442.1.165.1A	029	4	460.1.278.1A	034	21
303.1.061.1AA	014	25	345.2.017.1B	021a	2	420.2.000.8A	025	37	444.4.017.1A	009	20	460.1.283.2A	018	20
303.1.061.1AA	015	26	349.2.039.1A	021a	4	420.2.006.4A	016	6	447.1.069.1A	028a	15	460.1.286.2B	019	34
303.1.061.1AB	014	25	349.2.040.1A	021a	5	425.4.004.1B	032a	14	447.1.070.1A	028a	17	460.1.358.1A	018	21
303.1.061.1AB	015	26	360.2.086.1CB	021	19	426.1.007.1A	036	1	449.1.053.1A	003	12	460.4.728.1A	020	17
303.1.061.1AC	014	25	360.2.087.1CB	021	31	426.1.020.1A	029	5	451.1.017.1A	008	22	460.Z.002.1A	034	25
303.1.061.1AC	015	26	361.1.002.1A	021	15	433.1.164.1A	037	3	451.1.018.2A	008	9	460.Z.002.1B	034	26
303.1.062.1AA	014	7	364.1.003.1A	021	26	433.1.165.1A	037	1	451.1.043.1A	008	16	462.4.001.1A	021	7
303.1.062.1AA	015	7	365.2.084.1A	028	10	433.1.166.1A	037	2	451.1.044.1A	008	4	462.4.046.1A	020	15
303.1.062.1AB	014	7	369.2.123.3A	028a	1	433.1.339.1A	028a	20	451.1.047.1A	008	25	462.4.046.1A	033	29
303.1.062.1AB	015	7	370.2.076.4CB	028a	8	434.1.007.1C	034	29	455.2.003.1A	002	4	463.2.022.2A	010	12
303.1.062.1AC	014	7	372.2.062.2A	028	8	438.1.061.1AR	034	2	456.1.046.1B	022	20	463.2.053.7A	003	14
303.1.062.1AC	015	7	380.1.014.3B	018a	3	438.1.068.1A	034a	5	456.1.054.1AB	022	19	463.2.053.7A	004	15
304.1.067.1A	014	13	389.4.019.1A	018a	8	438.1.069.1A	034a	32	457.2.042.1AB	025	6	464.1.053.1A	022	5
304.1.067.1A	015	13	389.4.020.1A	018a	8	438.1.069.1B	034a	28	460.1.246.1A	033	17	464.1.054.1A	022	12
304.1.067.1AB	014	13	389.4.021.1A	018a	8	438.1.070.1A	034a	33	460.1.247.1A	034	18	470.1.188.1AA	022	1
304.1.067.1AB	015	13	389.4.022.1A	018a	8	438.1.070.1B	034a	29	460.1.248.1A	034a	24	470.1.197.3A	027	1
304.1.067.1AC	014	13	389.4.023.1A	018a	19	438.1.071.1A	034a	34	460.1.249.1A	034a	12	480.1.260.1AT	034a	4
304.1.067.1AC	015	13	389.4.024.1A	018a	8	438.1.071.1B	034a	30	460.1.255.1A	026a	14	480.1.261.1AT	034a	11
304.1.068.1A	014	10	390.4.019.1A	020	7	438.1.073.1AT	033	19	460.1.256.2C	019	22	480.1.262.2AT	034a	17
304.1.068.1A	015	10	390.4.020.1A	020	13	438.1.078.1A	034a	35	460.1.259.1A	033	13	480.3.227.3A	034a	4
304.1.068.1AB	014	10	390.4.021.1A	027a	19	438.1.079.1B	034a	31	460.1.260.1A	033	14	480.3.229.3A	034a	11
304.1.068.1AB	015	10	390.4.022.1A	020	14	438.1.327.1B	034	23	460.1.261.2A	033	15	481.2.042.1AT	034	1
304.1.068.1AC	014	10	390.4.023.1A	020	18	438.1.365.1AR	032	14	460.1.262.2A	033	18	482.Z.002.1A	033	23
304.1.068.1AC	015	10	395.2.014.1A	018	4	438.1.453.1B	034a	27	460.1.263.1A	021	11	482.Z.002.1B	033	24
341.1.077.1A	021	21	397.4.003.1B	018	14	442.1.148.2A	029	6	460.1.276.1A	020	16	483.2.062.1AT	033	12
342.2.033.1A	021	1	406.1.073.3A	020	8	442.1.149.2A	029	10	460.1.277.1A	034	22	484.1.060.1AG	034a	16

Index

CODE No.	Drwg.	POS. N.	CODE No.	Drwg.	POS. N.	CODE No.	Drwg.	POS. N.	CODE No.	Drwg.	POS. N.	CODE No.	Drwg.	POS. N.
486.1.073.2A	034a	7	525.1.031.1A	027a	16	552.4.037.2E	024	35	590.1.310.1B	036	10	626.4.057.1A	024	24
486.1.074.2A	034a	8	525.1.032.3A	027a	24	552.4.037.2E	025	34	590.2.027.1A	017	20	630.4.035.1A	023	1
486.1.075.2A	032	15	529.1.008.1AB	034a	37	552.4.048.1A	032a	9	593.1.018.1A	009	5	631.4.008.1A	023	21
487.1.039.2A	034	13	529.1.010.1A	027a	8	552.4.132.1A	010	31	593.2.042.1A	010	11	631.4.008.1A	024	6
492.1.004.1A	026a	19	530.1.020.1B	027a	18	553.4.004.1A	031	19	593.4.030.1A	019	31	631.4.016.1A	025	25
492.4.089.1A	026	12	530.1.021.1B	027a	14	556.1.046.2AB	022a	3	595.1.080.1A	033	1	631.4.028.1A	023	19
492.4.102.1A	026	5	539.1.021.1B	002	6	556.2.045.1A	022a	1	598.2.054.1A	032	16	631.4.028.1A	024	33
494.1.133.1A	026a	10	539.1.022.2A	022a	5	561.1.025.1A	027a	1	598.4.018.1A	021	36	631.4.033.1A	024	2
497.2.001.2A	026	3	539.4.003.1B	025	5	561.1.027.1A	027a	7	598.4.024.1A	021	12	631.4.034.1A	023	2
497.2.003.1A	026	16	539.4.030.2A	005	9	564.2.055.1C	034a	15	610.4.090.1A	024	9	632.1.042.1A	023	6
501.2.115.1BB	026	10	539.4.035.1A	024	5	570.1.263.1A	019	21	610.4.091.1A	024	26	650.4.011.1A	021	17
502.2.125.1BB	026	7	539.4.036.1A	023	22	573.1.111.2A	019	30	611.4.029.1A	025	29	651.1.004.1A	021	30
510.1.570.1A	018a	21	540.4.019.1A	018	8	574.1.111.2A	019	29	612.4.005.1A	023	4	652.4.012.1A	021	10
510.1.577.1B	018a	14	541.4.010.1A	018a	6	585.1.057.1A	031	1	612.4.005.1A	024	21	654.2.016.1A	021	8
510.1.593.1B	018a	1	548.4.074.1B	030	1	585.4.001.1A	025	26	612.4.008.1A	025	31	656.2.003.1B	021	13
514.1.032.1A	001d	9	548.4.074.2B	030	1	585.4.008.1A	023	12	612.4.016.1A	025	36	668.1.001.4A	007	14
514.1.033.1A	001d	13	548.4.078.1A	016	1	585.4.009.1A	024	15	612.4.037.1A	024	30	668.1.001.4A	011	16
514.1.035.1A	001d	10	549.1.077.1A	016	7	586.1.160.2CT	032	1	613.4.038.1A	025	30	670.4.038.1A	018a	4
514.1.036.1A	001d	10	550.4.017.1A	030	9	587.1.051.2A	032	2	613.4.079.1A	024	8	676.2.067.1A	026a	1
514.1.037.1A	001d	6	550.4.018.1A	030	8	587.1.052.2A	032	3	618.4.074.1A	024	19	676.4.046.1A	026a	8
514.1.038.1A	001d	14	552.1.037.1A	001d	4	590.1.189.1A	001d	1	618.4.075.1A	024	29	680.1.001.1B	009	24
514.1.051.1A	018	17	552.1.038.1A	001d	5	590.1.190.1A	001d	2	619.4.034.1A	025	28	680.1.013.1A	006	10
516.4.001.1AB	018a	12	552.1.039.1A	001d	19	590.1.254.1B	036	4	624.4.046.1A	024	1	680.1.013.1A	008	12
518.4.004.2B	021	25	552.1.040.1A	001d	11	590.1.300.1A	032a	8	625.4.018.1B	025	16	680.5.006.1A	013	12
520.1.015.4A	020	1	552.1.111.1A	019	11	590.1.307.1B	036	2	626.4.056.1A	023	20	697.2.022.2A	027	6
523.1.020.2D	034	8	552.4.012.1A	020	11	590.1.308.1B	036	9	626.4.056.1A	024	7	698.1.033.1A	001d	15
523.1.021.2D	034	9	552.4.013.1A	031	9	590.1.309.1B	036	6	626.4.057.1A	023	18	699.2.001.2A	001b	8

CATALOGUE No: 915.1.275.1H
ISSUED: 05 - 09

CATALOGUE No: 915.1.275.1H
ISSUED: 05 - 09

Index

CODE No.	Drwg.	POS. N.	CODE No.	Drwg.	POS. N.	CODE No.	Drwg.	POS. N.	CODE No.	Drwg.	POS. N.	CODE No.	Drwg.	POS. N.
699.2.345.1A	032a	12	703.1.013.1AB	021	9	713.1.196.1A	026	17	716.1.072.2A	008	20	741.4.001.1A	031	7
700.1.036.1A	012	19	703.5.002.2A	013	2	713.1.197.3A	026	2	716.1.106.1A	018	16	741.4.038.1A	018a	2
700.1.043.1A	020	9	703.5.006.2A	008	21	713.1.239.1A	028	2	716.1.128.1A	008	17	741.4.038.1A	025	38
700.1.043.1A	033	30	70610.8120	004	11	713.1.241.1A	019	33	716.1.144.1A	019	41	741.4.038.1A	030	2
700.9.056.2A	026a	9	710.1.032.1A	034a	9	713.1.266.1A	003	15	716.1.150.1A	017	19	741.4.043.1A	023	14
701.4.004.1A	028	7	710.1.061.1A	006	7	713.1.292.1A	014	9	716.1.407.1A	019	26	741.4.043.1A	024	16
701.4.005.1A	003	4	710.1.109.1A	028a	4	713.1.292.1A	015	9	716.1.412.1A	021	20	741.4.043.1A	025	17
701.4.017.1A	028a	6	710.1.125.1A	010	28	713.1.330.1A	032	11	716.1.414.1A	019	6	741.4.043.1A	036	11
701.4.023.1A	012	11	710.1.126.1A	010a	12	713.1.364.1A	024	20	716.1.419.1A	030	5	741.4.057.1A	036	3
702.4.004.1A	021	3	710.1.132.1A	028	11	713.1.365.1A	005	17	72094.1616	010	17	741.4.058.1A	036	7
702.4.009.1A	011	11	711.1.072.1B	034a	6	713.1.365.1A	011	39	732.2.021.2A	019	20	741.4.063.1A	029	18
702.4.010.2A	011	9	711.1.095.1A	010a	7	713.1.373.1A	027a	26	73500.1542	002	15	741.4.063.1A	036	5
702.4.013.1A	010	19	711.1.160.1A	005	13	713.1.393.1A	003	13	73500.2054	008	27	741.4.064.1A	029	21
702.4.017.1A	004	20	711.1.160.1A	011	14	713.1.409.1A	008	24	73503.3380	010	9	741.4.092.1A	032a	6
702.4.018.1A	012	15	711.1.219.1A	007	12	713.1.418.1A	033	22	73503.3380	010a	10	741.4.158.1A	032a	13
702.4.020.1A	010a	11	712.1.029.1A	028a	9	713.1.419.1A	027a	28	73503.3380	011	17	741.4.165.1A	029	17
702.4.033.1A	010	21	712.1.030.1A	028a	12	713.1.460.1A	034	30	73503.3804	008	26	741.4.171.1A	031	21
702.4.033.1A	010a	2	712.1.034.1A	022	17	713.1.461.1A	034	31	736.4.012.1A	034	7	741.4.181.1A	007	7
702.4.058.1A	008	10	712.1.034.1A	025	10	713.1.915.1A	002	33	736.4.013.1B	034a	22	741.4.181.1A	031	20
702.5.008.1A	010	6	713.1.014.1E	003	11	714.1.047.1A	026	9	737.4.025.1A	008	5	741.4.186.1A	029	13
702.5.008.1A	011	4	713.1.095.1A	004	23	714.1.074.1A	026	15	741.1.010.1A	018a	5	741.4.187.1A	017	21
702.5.019.1A	010a	1	713.1.128.1B	011	27	714.1.075.1A	026a	12	741.1.012.1A	018a	27	741.4.188.1A	031	5
702.5.044.1A	003	29	713.1.140.1A	010a	4	715.1.003.1A	028	5	741.1.013.1A	031	22	747.5.001.1AB	022	29
702.5.045.1A	026	8	713.1.153.2A	021	28	716.1.003.1A	016	3	741.1.036.1A	024	27	747.5.003.1A	021	22
702.5.045.1A	028a	10	713.1.187.1A	028a	11	716.1.022.1B	020	6	741.1.040.1A	018a	26	747.5.003.1A	025	15
702.5.051.1A	004	18	713.1.192.1A	024	34	716.1.043.1B	029	12	741.1.045.1A	019	14	747.5.010.1A	022	23
702.5.053.1A	004	14	713.1.192.1A	025	33	716.1.043.1B	036	19	741.1.046.1A	019	15	747.5.011.1A	024	31

CATALOGUE No: 915.1.275.1H
ISSUED: 05 - 09

CATALOGUE No: 915.1.275.1H
ISSUED: 05 - 09

Index

CODE No.	Drwg.	POS. N.	CODE No.	Drwg.	POS. N.	CODE No.	Drwg.	POS. N.	CODE No.	Drwg.	POS. N.	CODE No.	Drwg.	POS. N.
748.1.024.1A	019	1	750.1.140.1A	026a	2	764.1.056.1B	029	11	771.1.043.1A	022a	2	771.5.069.8B	012	7
748.1.035.1B	019	8	750.1.149.1A	021	29	764.1.062.1A	018	1	771.1.046.1A	021	4	771.5.069.8B	016	9
748.1.036.1A	019	40	750.1.150.1A	027a	2	764.1.063.1A	019	28	771.1.049.1A	008	6	771.5.071.8B	011	15
748.1.040.1A	002	23	750.5.001.1B	021	38	764.1.067.1A	033	4	771.1.049.1A	012	5	771.5.071.8B	018a	30
748.1.046.1A	026a	4	750.5.005.1A	018	2	764.1.090.1A	018	13	771.1.050.1A	021	23	771.5.072.8B	005	19
748.1.050.1A	010	14	75191.3380	010	4	764.1.090.1A	020	2	771.1.051.8B	011	38	771.5.072.8B	010a	14
748.1.065.1A	026	1	756.2.007.1A	026a	13	764.1.090.1A	027a	25	771.1.052.1A	012	6	771.5.072.8B	011	40
748.4.002.1A	022	2	756.2.011.1A	021	44	764.1.097.1A	020	12	771.1.053.1A	018a	10	771.5.072.8B	021	33
748.4.037.1AB	028	3	75794.1542	010a	9	764.1.098.1A	027a	20	771.1.233.1A	017	22	771.5.074.8B	036	14
748.4.038.1A	020	10	758.1.036.1A	029	15	764.4.054.1A	014	8	771.5.028.8B	034	32	771.5.078.3B	005	3
748.4.038.1A	033	31	758.1.039.2A	017	14	764.4.054.1A	015	8	771.5.038.8B	033	21	771.5.079.3B	005	11
749.4.004.1A	022	21	758.1.041.2A	005	18	76402.0002	003	17	771.5.040.8B	032	8	771.5.080.8B	010a	15
749.4.008.1A	008	7	758.4.015.1A	029	20	766.1.055.2B	010	16	771.5.043.8B	004	4	771.5.125.0Z	002	30
749.4.111.8B	019	18	758.4.017.1A	017	5	766.4.019.1A	014	21	771.5.045.7E	032	9	771.5.127.8B	019	10
749.4.111.8B	027a	22	758.4.018.1A	034a	36	766.4.019.1A	015	21	771.5.048.8B	027a	9	771.5.129.8B	009	8
749.4.112.8B	021	39	759.1.022.2A	026	19	76835.1134	002	10	771.5.064.8B	011	5	771.5.136.8B	010a	20
749.4.112.8B	027	3	759.1.022.2A	026a	20	770.5.250.8B	010a	5	771.5.064.8B	016	8	771.5.139.8B	010	10
750.1.007.1A	003	32	764.1.001.1A	032	10	770.5.250.8B	011	6	771.5.065.2BB	004	28	771.5.139.8B	010a	17
750.1.012.2A	006	6	764.1.011.2A	022	18	771.1.019.1A	021	41	771.5.065.8B	010	2	771.5.639.8B	027a	12
750.1.021.1A	028	12	764.1.011.2A	025	12	771.1.019.1A	022	25	771.5.065.8B	017	2	771.5.645.8B	024	23
750.1.022.1A	028	15	764.1.022.1A	016	2	771.1.026.1A	005	2	771.5.066.8B	011	20	771.5.662.8B	021	32
750.1.028.1A	034	10	764.1.022.1A	017	3	771.1.027.1A	005	8	771.5.066.8B	018a	20	771.5.667.8B	018	11
750.1.048.1A	022a	10	764.1.022.1A	018	18	771.1.027.1A	012	12	771.5.067.0Z	002	28	771.5.667.8B	022	14
750.1.057.1A	006	13	764.1.022.1A	030	4	771.1.031.1A	028	1	771.5.067.8B	011	3	771.5.668.8B	018	19
750.1.121.1A	012	3	764.1.024.1A	019	5	771.1.039.1A	021	24	771.5.069.8B	005	5	771.5.669.8B	018	12
750.1.127.1A	004	25	764.1.029.1A	036	18	771.1.039.1A	027a	5	771.5.069.8B	009	10	771.5.669.8B	021	6
750.1.140.1A	026	13	764.1.050.1A	021	42	771.1.041.1A	020	4	771.5.069.8B	011	19	771.5.669.8B	034a	21

Index

CODE No.	Drwg.	POS. N.	CODE No.	Drwg.	POS. N.	CODE No.	Drwg.	POS. N.	CODE No.	Drwg.	POS. N.	CODE No.	Drwg.	POS. N.
771.5.672.8B	018	9	772.1.086.1B	033	7	775.1.019.1A	028a	13	779.1.331.1D	024	25	780.1.051.1A	015	12
771.5.723.8B	021	45	772.1.086.1B	034	3	775.1.031.1B	010	25	779.1.366.1AB	023	16	780.5.001.1A	005	15
771.5.723.8B	025	32	772.1.086.1B	034a	38	775.1.031.1B	010a	13	779.1.366.1AB	025	22	780.5.001.1A	011	33
771.5.725.8B	021	18	772.1.087.3A	027	2	775.1.033.1A	019	17	779.1.397.1A	024	3	786.1.094.1A	007	13
771.5.727.8B	021a	3	772.1.088.2B	019	24	775.1.051.1A	032	5	779.1.399.1A	026	4	786.1.100.1A	007	11
771.5.728.8B	032	13	772.1.089.3B	018a	17	775.1.051.1A	032a	3	779.1.415.1A	024	32	788.1.052.2A	005	14
771.5.752.8B	034a	25	772.1.089.3B	034a	39	775.5.001.3C	027a	15	779.1.421.1A	014	23	788.1.054.2A	012	4
771.5.756.8B	025	2	772.1.094.3B	034a	18	775.5.013.1A	027a	11	779.1.421.1A	015	23	788.1.093.1A	013	9
771.5.938.8B	028	9	772.1.110.1A	017	18	775.5.013.1A	036	20	779.1.440.2A	028a	16	788.1.094.1A	013	8
772.1.042.2A	029	7	772.5.038.1AB	019	7	775.5.021.1A	010	29	779.1.465.1A	024	28	788.1.096.2A	017	9
772.1.046.1B	022	6	772.5.038.1AB	029	9	775.5.024.1A	021	48	779.1.484.2B	022	24	788.1.098.1A	029	8
772.1.050.1C	027	5	772.5.077.8B	017	6	777.5.049.8B	011	24	779.1.488.1A	026a	21	788.1.100.1A	019	16
772.1.050.1C	032	4	772.5.099.8B	024	36	778.5.009.1A	021	47	779.1.493.2A	025	14	788.1.102.1A	017	10
772.1.059.1A	018	22	772.5.099.8B	025	35	779.1.026.2A	011	10	779.1.503.1A	028a	18	788.1.103.1AA	010	32
772.1.059.1A	031	3	772.5.101.8B	020	5	779.1.029.2A	010a	16	779.1.504.1A	028	4	789.4.001.1A	017	17
772.1.060.1A	009	16	772.5.101.8B	034	15	779.1.039.1A	002	3	779.1.509.2A	013	3	790.1.021.1A	019	2
772.1.060.1A	025	7	772.5.103.8B	030	3	779.1.082.1AB	023	5	779.1.544.1A	034	4	791.1.039.1A	032	17
772.1.062.1A	019	39	773.1.004.1A	019	19	779.1.092.1A	023	7	779.1.547.1A	006	4	791.1.063.1A	018	5
772.1.062.1A	031	15	773.1.005.1A	029	16	779.1.092.1A	024	13	779.1.550.1A	021	46	791.2.047.1A	007	6
772.1.063.1A	025	19	773.5.062.3B	023	10	779.1.109.2A	006	2	779.4.005.2A	022a	4	799.1.049.1A	002	1
772.1.074.1A	018a	13	773.5.062.3B	024	10	779.1.114.1A	006	9	779.4.075.1A	011	37	799.1.051.2A	004	6
772.1.077.2A	022	7	773.5.062.8B	025	24	779.1.162.2A	009	13	779.5.030.2A	013	16	799.1.051.2A	006	3
772.1.078.2A	028a	3	773.5.065.8B	026a	11	779.1.187.1A	008	23	779.5.046.1A	034	16	799.1.055.1A	009	3
772.1.084.2A	033	5	775.1.004.1A	019	38	779.1.202.1B	030	6	780.1.005.1A	010a	6	799.1.066.1B	004	9
772.1.085.1A	017	8	775.1.007.1AB	034	12	779.1.203.3A	002	7	780.1.007.1A	019	25	799.1.158.1A	022a	6
772.1.085.3B	033	6	775.1.017.1B	017	12	779.1.237.1B	025	8	780.1.018.1A	009	2	799.1.166.1A	022	3
772.1.085.3B	034a	13	775.1.017.1B	032a	7	779.1.298.1A	021	16	780.1.051.1A	014	12	799.1.228.1A	034	6

CATALOGUE No: 915.1.275.1H
ISSUED: 05 - 09

CATALOGUE No: 915.1.275.1H
ISSUED: 05 - 09

Index

CODE No.	Drwg.	POS. N.	CODE No.	Drwg.	POS. N.	CODE No.	Drwg.	POS. N.	CODE No.	Drwg.	POS. N.	CODE No.	Drwg.	POS. N.
799.1.256.1A	025	4	814.1.311.1A	029	19	827.1.430.1A	018a	15	840.1.185.1AC	14/15	1	840.1.186.1AI	14/15	2
799.1.263.2A	019	3	814.4.010.1A	032a	10	827.1.431.1A	027a	21	840.1.185.1AD	14/15	1	840.1.186.1AJ	14/15	2
799.1.482.1A	002	20	815.1.022.1A	016	5	827.1.442.1A	027a	27	840.1.185.1AE	14/15	1	840.1.186.1AK	14/15	2
799.1.485.1A	014	19	815.1.028.1A	009	21	829.1.190.1A	018a	9	840.1.185.1AF	14/15	1	840.1.186.1AL	14/15	2
799.1.485.1A	015	19	818.2.009.1A	004	3	829.1.260.2A	022a	8	840.1.185.1AG	14/15	1	840.1.186.1AM	14/15	2
799.1.486.1A	014	18	819.1.060.1A	026	11	829.1.756.1A	018a	16	840.1.185.1AH	14/15	1	840.1.186.1AN	14/15	2
799.1.486.1A	015	18	819.2.063.2A	026a	6	829.1.939.2A	018	10	840.1.185.1AI	14/15	1	840.1.186.1AO	14/15	2
799.1.492.1A	004	1	821.1.001.1A	002	26	829.1.942.1A	025	1	840.1.185.1AJ	14/15	1	840.1.186.1AP	14/15	2
799.2.077.2A	009	14	821.1.051.1AB	022	4	829.1.945.1A	023	9	840.1.185.1AK	14/15	1	840.1.186.1AQ	14/15	2
799.2.159.1A	022a	7	821.1.070.1A	002	17	829.1.946.1A	024	11	840.1.185.1AL	14/15	1	840.1.186.1AR	14/15	2
799.4.009.1A	019	37	821.1.103.2A	022a	9	829.1.947.1A	027a	4	840.1.185.1AM	14/15	1	840.1.186.1AS	14/15	2
800.1.122.1A	007	9	821.1.170.1A	022	13	829.2.966.1A	020	3	840.1.185.1AN	14/15	1	840.1.186.1AT	14/15	2
800.1.123.1A	007	8	821.1.170.1A	025	9	830.1.235.1A	011	35	840.1.185.1AO	14/15	1	840.1.186.1AU	14/15	2
800.1.150.1A	031	17	821.1.222.1B	014	17	830.1.409.1A	016	10	840.1.185.1AP	14/15	1	841.1.050.1A	028a	19
800.1.151.1A	031	16	821.1.222.1B	015	17	830.1.418.1A	027	4	840.1.185.1AQ	14/15	1	841.1.052.1A	019	36
800.1.152.1B	031	13	821.1.223.1B	014	15	830.1.423.2A	034a	26	840.1.185.1AR	14/15	1	841.1.056.1A	004	2
800.1.153.1B	031	18	821.1.223.1B	015	15	830.1.429.1A	031	4	840.1.185.1AS	14/15	1	845.4.005.1B	014	6
8000.53724	018a	7	821.1.268.1A	002	13	830.1.431.1A	032	6	840.1.185.1AT	14/15	1	845.4.005.1B	015	6
8000.56443	023	13	821.1.273.1A	025	13	830.1.432.1A	032a	5	840.1.185.1AU	14/15	1	847.1.002.1A	004	29
8000.56443	024	18	821.1.279.1A	012	8	830.1.433.1A	032a	4	840.1.186.1AA	14/15	2	848.2.002.1A	021	37
808.2.016.2A	021	35	824.1.146.1AB	022	28	830.1.448.1A	036	16	840.1.186.1AB	14/15	2	848.4.047.1A	028	13
814.1.111.3B	036	12	824.1.147.1AB	022	9	830.1.466.1AA	021	43	840.1.186.1AC	14/15	2	848.4.048.1A	028	16
814.1.114.1A	001d	8	825.1.036.2A	026a	17	830.1.475.1AA	021	40	840.1.186.1AD	14/15	2	848.5.001.1A	022	16
814.1.183.1A	036	8	826.1.012.1A	010	18	830.1.477.1A	024	37	840.1.186.1AE	14/15	2	848.5.002.1A	022	22
814.1.188.1A	015	25	826.1.030.1A	002	31	832.1.003.1C	028a	14	840.1.186.1AF	14/15	2	850.1.003.1A	034a	19
814.1.235.1B	031	14	827.1.157.1A	036	17	840.1.185.1AA	14/15	1	840.1.186.1AG	14/15	2	850.1.006.1A	032a	2
814.1.236.1C	031	11	827.1.420.1A	016	11	840.1.185.1AB	14/15	1	840.1.186.1AH	14/15	2	850.1.197.1A	030	10

CATALOGUE No: 915.1.275.1H
ISSUED: 05 - 09

CATALOGUE No: 915.1.275.1H
ISSUED: 05 - 09

Index

CODE No.	Drwg.	POS. N.	CODE No.	Drwg.	POS. N.	CODE No.	Drwg.	POS. N.	CODE No.	Drwg.	POS. N.	CODE No.	Drwg.	POS. N.
850.4.038.1A	027a	23	852.1.053.2A	002	2	852.1.174.1A	009	9	852.5.024.1A	024	4	861.5.022.1A	021	34
850.4.038.1A	029	3	852.1.053.2A	022	15	852.1.176.1A	005	20	852.5.024.1A	025	23	863.1.005.1A	026a	22
850.4.047.1A	018a	11	852.1.053.2A	025	3	852.1.176.1A	011	2	852.5.026.1A	011	25	866.1.019.1A	033	2
850.4.047.1A	033	20	852.1.072.1A	019	23	852.1.176.1A	018a	24	852.5.026.1B	014	11	866.1.030.1A	033	3
850.4.047.1A	034	24	852.1.075.1B	034a	23	852.1.186.1A	019	35	852.5.026.1B	015	11	866.1.075.1A	027a	3
850.4.052.1A	027a	6	852.1.094.1A	002	19	852.1.195.1A	005	10	852.5.029.1A	018	6	866.1.076.3A	034	20
850.4.055.1A	019	13	852.1.099.1A	032	12	852.1.195.1A	009	7	852.5.029.1A	034	17	866.1.077.1A	034	19
850.4.055.1A	032	7	852.1.104.1H	006	11	852.1.216.1A	028a	2	852.5.042.1A	010	5	872.1.015.1A	021	14
850.4.055.1A	033	28	852.1.104.1K	006	11	852.1.217.1A	026a	15	853.1.003.1A	010	30	872.1.048.1A	021	5
850.4.055.1A	034a	14	852.1.104.1L	006	11	852.1.218.1A	034a	20	853.1.003.1A	012	2	872.1.053.1A	018a	22
850.4.067.1A	018a	18	852.1.104.1M	006	11	852.1.221.1A	026	14	853.5.010.1A	018	7	872.1.054.2A	028a	7
850.4.082.1A	033	9	852.1.104.1N	006	11	852.1.221.1A	026a	3	855.5.000.1B	018a	29	872.1.064.1A	018a	31
850.4.082.1A	034	14	852.1.104.2A	006	11	852.1.222.1A	026	6	856.1.031.1A	003	16	872.4.044.1A	028a	21
850.4.082.1A	034a	3	852.1.104.2B	006	11	852.1.232.1A	019	27	856.1.062.2A	008	19	872.4.060.1A	030	7
850.4.102.1A	027a	10	852.1.104.2C	006	11	852.1.251.1A	029	14	856.1.064.2A	010	15	873.1.005.1A	013	13
850.4.104.1A	034	27	852.1.104.2D	006	11	852.4.008.1A	034a	1	856.1.071.1A	012	9	875.1.065.1A	001d	3
850.4.105.1A	034	28	852.1.104.2E	006	11	852.4.009.1A	027a	17	856.1.074.2A	013	4	875.1.128.1A	028	14
850.4.109.1A	034a	10	852.1.104.2F	006	11	852.4.013.1A	017	16	856.1.075.1A	012	17	875.1.146.1A	010	24
850.4.128.1A	033	8	852.1.104.2G	006	11	852.5.009.1A	019	32	856.1.121.1B	012	20	875.1.146.1A	010a	19
850.4.129.1A	033	26	852.1.104.2I	006	11	852.5.023.1A	011	30	856.1.136.1A	034	5	876.1.102.2B	029	1
850.4.130.1A	033	25	852.1.104.2J	006	11	852.5.023.1A	015	20	856.1.136.1A	034a	2	877.1.091.1A	025	21
850.4.132.1A	033	11	852.1.114.1A	011	34	852.5.023.1A	036	13	856.1.137.2A	003	6	877.1.113.1A	023	15
851.1.004.1A	003	31	852.1.135.1A	005	24	852.5.024.1A	002	5	860.1.004.1A	010	23	877.1.114.1A	024	17
851.1.010.1A	006	12	852.1.144.1A	028a	22	852.5.024.1A	005	16	860.1.004.1A	011	21	877.2.006.1B	029	2
851.1.013.1A	008	14	852.1.172.1A	009	11	852.5.024.1A	011	32	860.1.005.1A	010	26	881.1.012.1A	002	32
852.1.005.1A	002	14	852.1.172.1A	011	7	852.5.024.1A	019	12	860.5.006.1A	014	24	881.1.034.1A	012	18
852.1.024.1A	034	11	852.1.174.1A	008	8	852.5.024.1A	023	17	860.5.006.1A	015	24	881.1.051.1A	011	36

Index

CODE No.	Drwg.	POS. N.	CODE No.	Drwg.	POS. N.	CODE No.	Drwg.	POS. N.	CODE No.	Drwg.	POS. N.	CODE No.	Drwg.	POS. N.
881.1.054.1A	026a	7	886.4.132.1A	009	22	88713.1980	001a	16	88713.3219	001a	20	930.4.034.1A	005	6
881.2.001.1A	004	19	886.4.132.1A	010	8	88713.2011	001a	7	88713.3220	001b	20	930.4.035.1A	004	16
882.1.003.1A	008	11	886.5.013.1A	010	3	88713.2060	001a	11	88765.1126C	001d	24	930.4.052.1A	026	18
882.1.006.1A	002	16	886.5.013.1A	010a	18	88713.2102	001a	4	88765.1126T	001d	16	930.4.123.1A	010a	8
882.1.015.1A	003	7	886.5.014.1A	021	27	88713.2133	001	12	88765.1126V	001c	14	930.5.005.1A	011	26
884.4.051.1A	026a	18	886.5.051.1A	013	1	88713.2409	001b	15	88765.1188	001a	12	930.5.006.2B	011	28
884.5.003.1A	022	10	88700.5665	001	10	88713.2562	001b	13	88765.1298	001	3	930.5.007.1A	013	17
884.5.011.1A	011	8	88700.5749	001	14	88713.2669	001	17	88765.1371	001c	3	930.5.012.1A	028a	5
884.5.013.1A	005	25	88713.0123	001	4	88713.2676	001	1	88765.1374	001c	4	934.1.005.1A	031	6
884.5.034.1A	002	22	88713.0869	001	15	88713.2827	001	11	88765.1518	001a	5	934.1.006.1A	031	8
884.5.039.1A	009	25	88713.0870	001	16	88713.2832	001a	1	88765.1609	001a	14	934.1.007.1A	036	15
886.1.013.1A	032a	1	88713.1010	001a	2	88713.2834	001a	17	893.1.007.1A	031	2	934.1.010.1A	029	22
886.1.024.1A	010	27	88713.1057	001b	11	88713.2854	001b	19	893.2.006.2A	010	7	93783.1524	011	18
886.1.095.1A	011	22	88713.1058	001b	7	88713.2855	001b	18	893.2.013.1A	005	7	93823.2018	004	24
886.4.033.1A	009	4	88713.1062	001b	9	88713.2856	001b	12	893.4.005.1A	023	11	93823.3075	005	26
886.4.033.1A	010	33	88713.1068	001b	2	88713.2857	001b	14	893.4.005.1A	025	27	94247.0014	010a	3
886.4.034.1A	009	18	88713.1071	001b	10	88713.2858	001b	17	894.1.020.1A	009	23	94247.0014	011	12
886.4.037.1A	009	6	88713.1072	001b	1	88713.2861	001a	19	895.2.007.1A	032	18	961.1.610.7B	035	1
886.4.043.1A	004	27	88713.1074	001b	4	88713.2863	001	7	8A00.67610	031	12	961.1.740.7BA	035	11
886.4.103.1A	031	10	88713.1515	001b	6	88713.2870	001a	10	913.7.129.1F	027	7	961.1.750.7BA	035	8
886.4.106.1A	016	4	88713.1749	001a	13	88713.2874	001	8	926.1.006.1A	033	16	961.1.760.7B	035	9
886.4.116.1A	022	27	88713.1805	001a	3	88713.2877	001a	18	926.1.010.1A	033	27	961.1.770.7B	035	13
886.4.116.1A	025	11	88713.1806	001a	6	88713.2878	001	5	930.1.004.1A	021	2	961.1.910.7B	035	7
886.4.118.1A	004	26	88713.1821	001a	9	88713.2906	001	6	930.4.002.2A	003	30	961.1.960.8B	035	6
886.4.118.1A	010	13	88713.1832	001	9	88713.2951	001b	16	930.4.011.1A	028	6	961.1.970.8B	035	12
886.4.124.1A	026a	16	88713.1886	001	13	88713.3156	001	2	930.4.021.1A	005	23	961.1.980.8B	035	10
886.4.132.1A	005	12	88713.1920	001a	8	88713.3211	001b	5	930.4.022.1A	010	20	963.1.100.7B	035	2

Index

CODE No.	Drwg.	POS. N.	CODE No.	Drwg.	POS. N.	CODE No.	Drwg.	POS. N.	CODE No.	Drwg.	POS. N.	CODE No.	Drwg.	POS. N.
963.1.110.7B	035	3												
963.1.120.7B	035	4												
967.5.330.5B	035	16												
967.5.720.7BA	001b	3												
967.5.790.7B	035	17												
969.8.180.7B	035	15												
97900.0002	001c	2												
97900.0003	001d	23												
97900.0215	001c	1												
97900.0216	001c	5												
97900.0217	001c	15												
97900.0218	001d	18												
97900.0219	001c	10												
97900.0220	001d	21												
97900.0221	001d	22												
97900.0222	001c	9												
97900.0223	001c	11												
97900.0224	001c	6												
97900.0225	001c	8												
97900.0226	001c	12												
97900.0227	001d	7												
97900.0228	001d	12												
97900.0229	001c	13												
97900.0230	001d	20												
97900.0231	001d	17												
97900.0232	001c	7												

CATALOGUE No: 915.1.275.1H
ISSUED: 05 - 09CATALOGUE No: 915.1.275.1H
ISSUED: 05 - 09