

Spare parts catalogue **696 ABS**

Model year 2011
U.S.A.



MONSTER

Revision n°00

Spare parts catalogue part number: 915.1.296.1D

Shop Ducati OEM Parts at www.ducatiperformance.com

696 ABS

GENERAL INFORMATION

The present spare parts order exactly the right spare parts

When ordering specify:

1) the part's code number followed by its description; quantity needed;

2) the motorcycle's serial number, stamped on the steering head.

Reference to right and left apply to the vehicle in terms of its direction of movement.

Spare parts drawings are general and do not represent the part.

The contents of this catalogue are general and can undergo changes without prior notice.

VALIDITY

f.m. Until V.I.N.
d.m. From V.I.N.
f.m.m. Up to engine number
d.m.m. From engine number

LIST

CAL California
CDN Canada

Ducati Motor Holding S.p.A.
Commercial and Administration Office:
Via A. Cavalieri Ducati n. 3
40132 Bologna, Italy
Telefono 051 6413111
Fax 051 406580
Internet www.ducati.com

CATALOGUE No: 915.1.296.1D
ISSUED: 07 - 10

CATALOGUE No: 915.1.296.1D
ISSUED: 07 - 10

696 ABS

Paints

| Paint | Code |
|-------|------|
|-------|------|

| | |
|----------------------------|---------------|
| "Rosso Anniversary DUCATI" | (PPG) 473.101 |
|----------------------------|---------------|

| | |
|----------------|---------------|
| "Bianco Perla" | (PPG) 490.019 |
|----------------|---------------|

| | |
|----------|-------------|
| "Smalto" | (PPG) *0040 |
|----------|-------------|

| | |
|--------------|---------------|
| "Nero Opaco" | (PPG) 291.501 |
|--------------|---------------|

| | |
|---------------|---------------|
| "Trasparente" | (PPG) 228.880 |
|---------------|---------------|

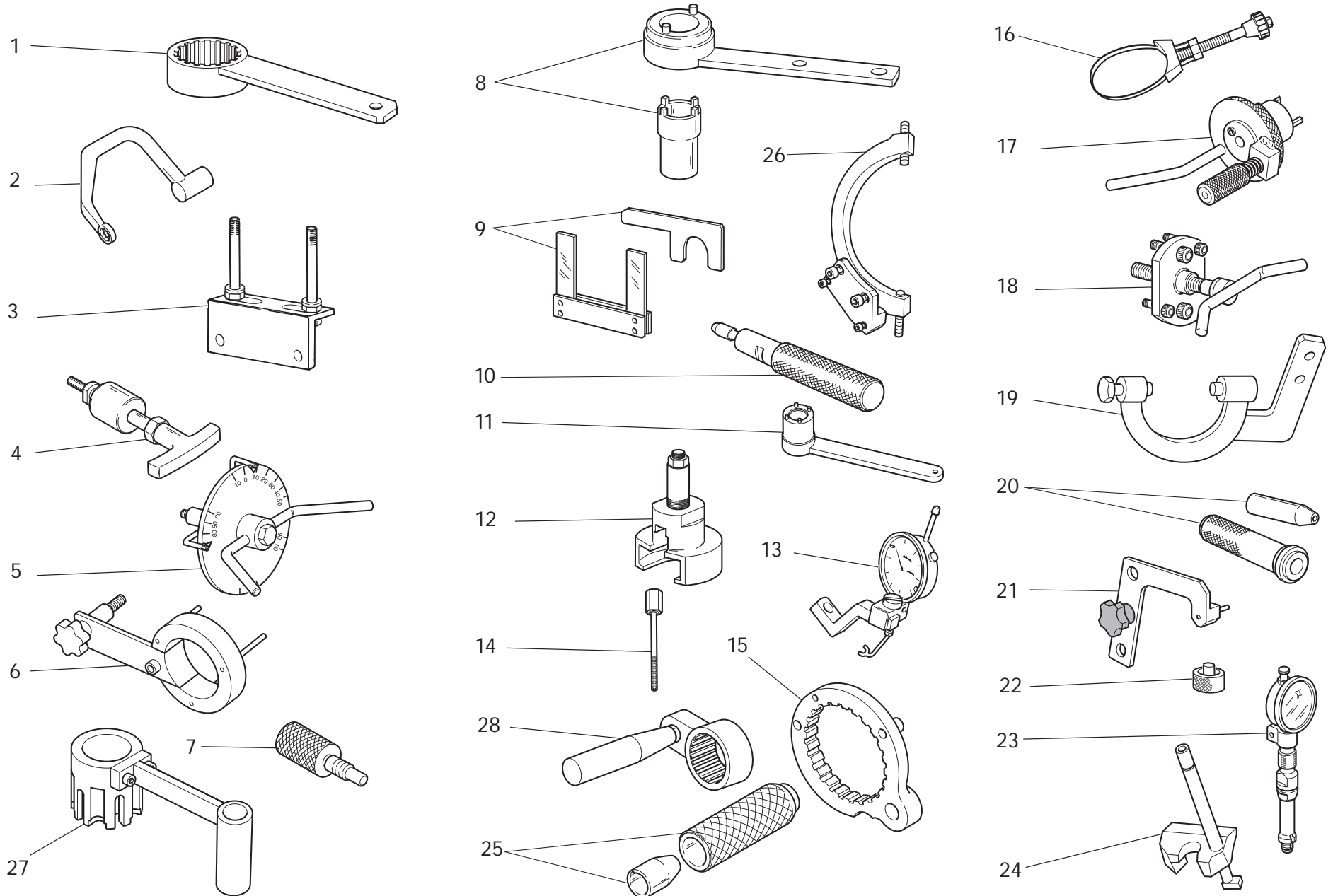


696 ABS

| page | Contents |
|------|--|
| 4 | 001 Workshop service tools |
| 6 | 001a Workshop service tools |
| 8 | 001b Dds tester |
| 10 | 001c Workshop service tools |
| 12 | 002 Gearchange control |
| 14 | 003 Gearbox |
| 16 | 004 Clutch |
| 18 | 005 Clutch-side crankcase cover |
| 20 | 006 Connecting rods |
| 22 | 007 Cylinders - pistons |
| 24 | 008 Timing system |
| 26 | 009 Filters and oil pump |
| 28 | 010 Crankcase halves |
| 30 | 011 Alternator-side crankcase cover |
| 32 | 012 Electric starting and ignition |
| 34 | 013 Cylinder head : timing system |
| 36 | 014 Vertical cylinder head |
| 38 | 015 Horizontal cylinder head |
| 40 | 016 Intake manifolds |
| 42 | 017 Stands |
| 44 | 018 Electrical system |
| 46 | 019 Battery support |
| 48 | 020 Exhaust system |
| 50 | 021 Instrument panel - headlight fairing |
| 52 | 022 Headlight |
| 54 | 023 Number plate holder - tail light |
| 56 | 024 Front forks |
| 58 | 025 Front and rear wheels |
| 60 | 026 Handlebar and controls |
| 62 | 027 Clutch control |
| 64 | 028 Front brake |
| 66 | 028a Antilock braking system (abs) |
| 68 | 029 Rear brake |
| 70 | 030 Frame |
| 72 | 031 Gearchange lever - footrest |
| 74 | 032 Swingarm and drive chain |
| 76 | 033 Rear suspension |
| 78 | 034 Air intake - oil breather |
| 80 | 035 Fuel tank |
| 82 | 036 Fuel system |
| 84 | 037 Seat |
| 86 | 038 Fuel tank (cover) |
| 88 | 039 'art' kit (696+) |
| 90 | 040 Evaporative emissions canister |
| 92 | 041 Data plate positions |

696 ABS

DRAWING 001 Workshop service tools




696 ABS

DRAWING **001**

Workshop service tools

| NOTES NO. | CODE NO. | DESCRIPTION | VALIDITY | Q.TY  |
|-----------|------------|---|----------|--|
| 1 | 88713.3218 | Wrench for holding timing belt rollers ring nuts | | 1 |
| 2 | 88713.2676 | Head nuts holder wrench | | 1 |
| 3 | 88713.2103 | Head mounting base | | 1 |
| 4 | 88713.1994 | Rocker shaft extractor | | 1 |
| 5 | 88713.0123 | Degree wheel holder tool for ignition advance check | | 1 |
| 6 | 88713.2423 | Torque wrench | | 1 |
| 7 | 88713.2282 | Belt roller timing of two-valva head | | 1 |
| 8 | 88713.1805 | Driving roller tightening tool | | 1 |
| 9 | 88713.2878 | Spacer and fork feeler gauge 0,2/0,3 mm | | 1 |
| 10 | 88713.2442 | Tool to drive valve seal ring $\varnothing 7$ | | 1 |
| 11 | 88713.0137 | Crankshaft gear holder wrench for tightening nut | | 1 |
| 12 | 88713.2092 | Extractor for primary drive gear | | 1 |
| 13 | 88765.1581 | Valve lift gauge | | 1 |
| 14 | 88713.2591 | Clutch screw | | 3 |
| 15 | 88713.2556 | Wrench to hold clutch housing drum steady | | 1 |
| 16 | 88713.2906 | Wrench to tighten oil filter cartridge | | 1 |
| 17 | 88713.2011 | Tool to hold crankshaft in TDC position | | 1 |
| 18 | 88713.1749 | Drive roller puller | | 1 |
| 19 | 88713.2036 | Flywheel Wrench | | 1 |
| 20 | 88700.5749 | Crankcases assembling cap | | 1 |
| 21 | 88713.3334 | Plate for positioning gear engagement fork | | 1 |
| 22 | 88765.1298 | Spacer for checking lower valve shim | | 1 |
| 23 | 88765.1297 | T.D.C. control gauge | | 1 |
| 24 | 88713.2916 | Tool for assembling closing rocker and spring | | 1 |

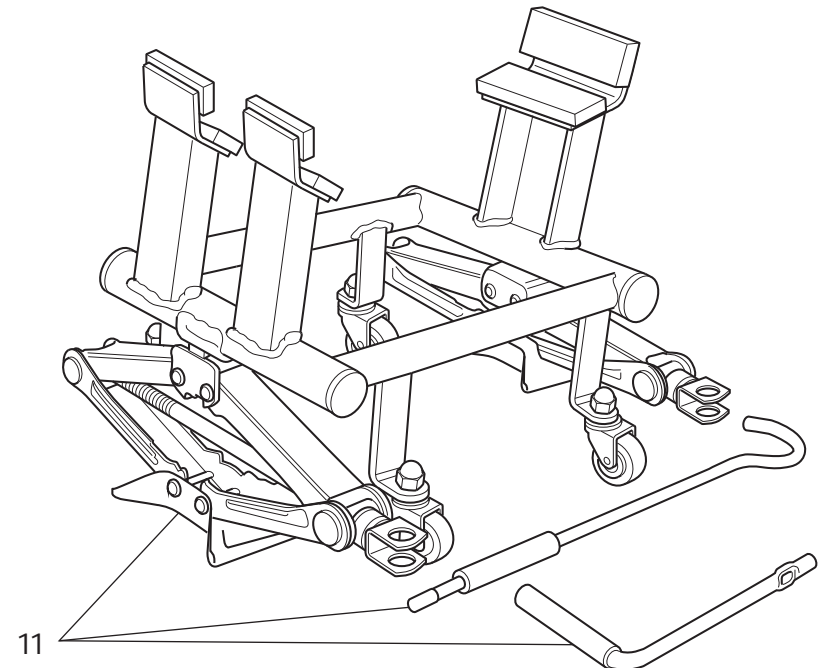
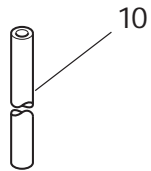
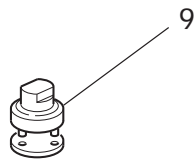
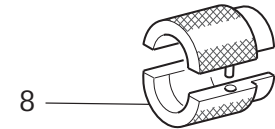
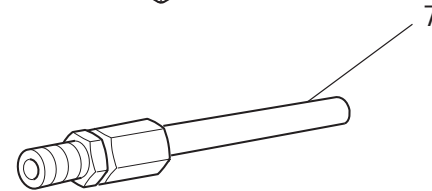
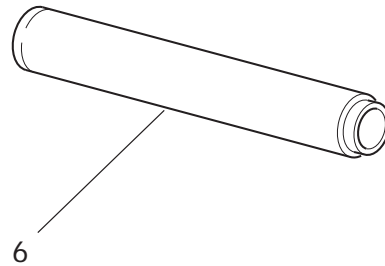
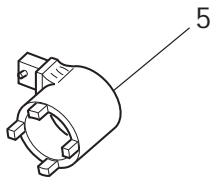
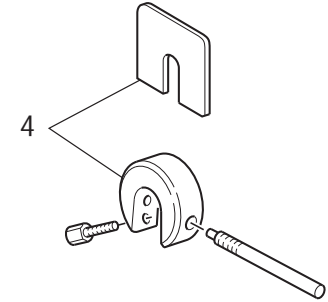
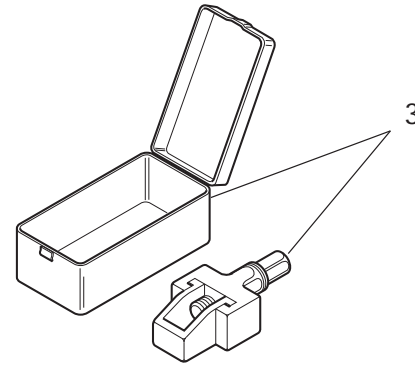
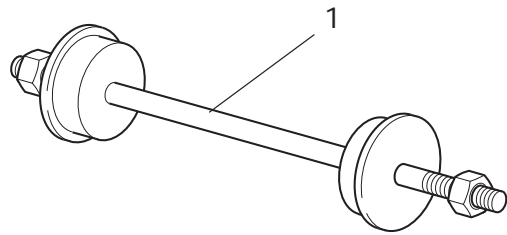
| NOTES NO. | CODE NO. | DESCRIPTION | VALIDITY | Q.TY  |
|-----------|------------|--|----------|--|
| 25 | 88713.3394 | Snap ring installation tool | | 1 |
| 26 | 88713.3367 | Flywheel Wrench | | 1 |
| 27 | 88713.2651 | Reaction tool for wet "FCC" clutch | | 1 |
| 28 | 88713.2355 | Wrench for holding timing belt rollers ring nuts | | 1 |

CATALOGUE No: 915.1.296.1D
ISSUED: 07 - 10

CATALOGUE No: 915.1.296.1D
ISSUED: 07 - 10


696 ABS

DRAWING 001a Workshop service tools



696 ABS

DRAWING **001a** Workshop service tools

| NOTES NO. | CODE NO. | DESCRIPTION | VALIDITY | Q.TY  |
|-----------|------------|--|----------|--|
| 1 | 88713.1062 | Tool for assembling the steering head bearings | | 1 |
| 2 | 8000.70139 | Wrench for front wheel spindle | | 1 |
| 3 | 88713.1344 | Tool for assembling chain | | 1 |
| 4 | 88713.0957 | Tool for holding SHOWA fork spacer | | 1 |
| 5 | 88713.3166 | Wrench for tightening frame ring nut | | 1 |
| 6 | 88713.1072 | Stopper for driving the half bearing of the steering head base | | 1 |
| 7 | 88713.1010 | Union for exhaust gas suction | | 1 |
| 8 | 88713.1096 | Tool for overhauling SHOWA forks - assembling seal ring | | 1 |
| 9 | 88713.1058 | Wrench for assembling the steering head cap | | 1 |
| 10 | 88713.0958 | Draw bar for SHOWA forks overhauling | | 1 |
| 11 | 88713.3396 | Bench for engine repair | | 1 |

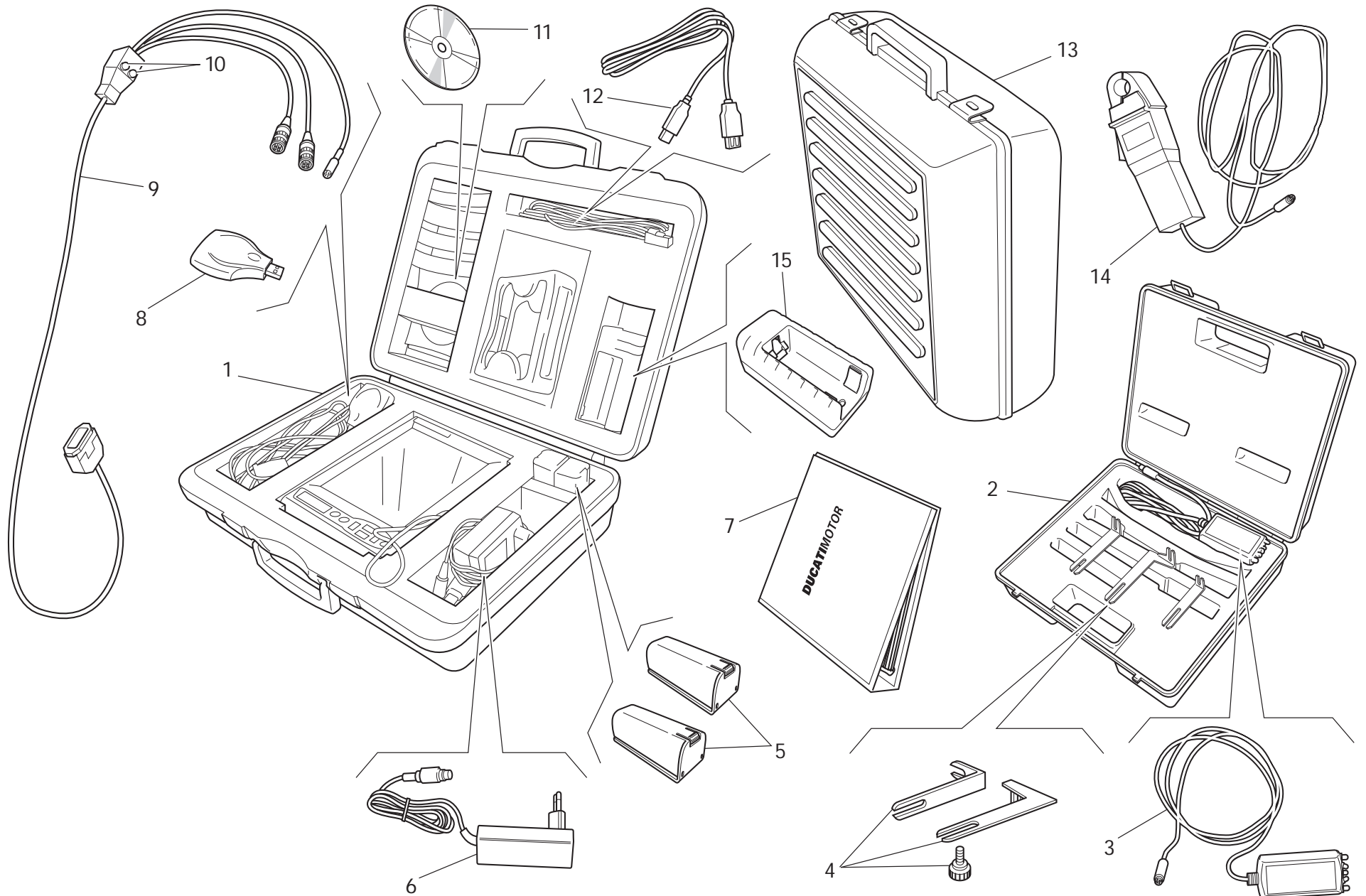
| NOTES NO. | CODE NO. | DESCRIPTION | VALIDITY | Q.TY  |
|-----------|----------|-------------|----------|--|
|-----------|----------|-------------|----------|--|

CATALOGUE No: 915.1.296.1D
ISSUED: 07 - 10

CATALOGUE No: 915.1.296.1D
ISSUED: 07 - 10

696 ABS


DRAWING 001b Dds tester



696 ABS

DRAWING **001b**

Dds tester

| NOTES NO. | CODE NO. | DESCRIPTION | VALIDITY | Q.TY  |
|-----------|------------|--|----------|--|
| 1 | 97900.0215 | DDS (Ducati Diagnosis System) + manifold vacuum meter. kit | | 1 |
| 2 | 97900.0002 | Belt tensioning kit | | 1 |
| 3 | 88765.1371 | Sensor | | 1 |
| 4 | 88765.1374 | Bracket | | 1 |
| 5 | 97900.0216 | Battery | | 2 |
| 6 | 97900.0224 | Feeder | | 1 |
| 7 | 97900.0232 | DDS manual | | 1 |
| 8 | 97900.0225 | (USB) Memory card reader | | 1 |
| 9 | 97900.0222 | Main cable 1060838 | | 1 |
| 10 | 97900.0219 | Fuse | | 2 |
| 11 | 97900.0223 | Software DDS CD | | 1 |
| 12 | 97900.0226 | (USB) Cable extension | | 1 |
| 13 | 97900.0229 | Black case with sponge rubber | | 1 |
| 14 | 97900.0234 | Amperometer plier | | 1 |
| 15 | 97900.0217 | Battery charger | | 1 |

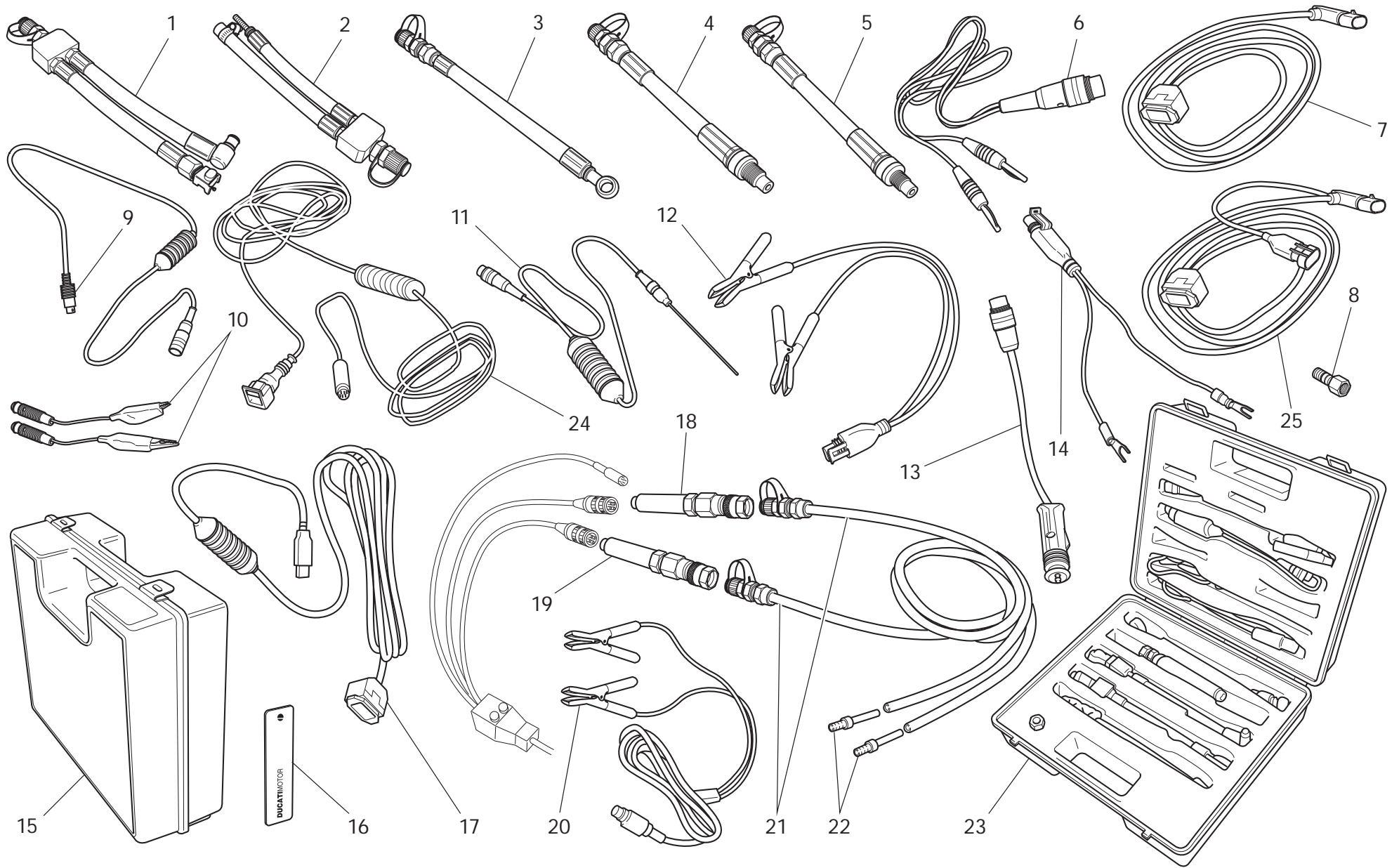
| NOTES NO. | CODE NO. | DESCRIPTION | VALIDITY | Q.TY  |
|-----------|----------|-------------|----------|--|
|-----------|----------|-------------|----------|--|

CATALOGUE No: 915.1.296.1D
ISSUED: 07 - 10

CATALOGUE No: 915.1.296.1D
ISSUED: 07 - 10


696 ABS

DRAWING 001c Workshop service tools



696 ABS

DRAWING **001c** Workshop service tools

| NOTES NO. | CODE NO. | DESCRIPTION | VALIDITY | Q.TY  |
|-----------|--------------|--|----------|--|
| 1 | 590.1.189.1A | Fuel pressure line HS. | | 1 |
| 2 | 590.1.190.1A | Fuel pressure line ST/SS/M. | | 1 |
| 3 | 875.1.065.1A | Oil pressure line | | 1 |
| 4 | 552.1.037.1A | Fitting - cylinder compression M12 | | 1 |
| 5 | 552.1.038.1A | Fitting - cylinder compression M10 | | 1 |
| 6 | 514.1.037.1A | Cable Volt PF DUC 21 | | 1 |
| 7 | 97900.0227S | Main cable (SIEMENS) | | 1 |
| 8 | 814.1.114.1A | Oil pressure fitting | | 1 |
| 9 | 514.1.032.1A | Cable for supplementary tests | | 1 |
| 10 | 514.1.035.1A | Red clamp cable | | 1 |
| 10 | 514.1.036.1A | Black clamp cable | | 1 |
| 11 | 552.1.040.1A | Temperature probe | | 1 |
| 12 | 97900.0228 | Battery connection adapter | | 1 |
| 13 | 514.1.033.1A | Electric lighter connection adapter (ST) | | 1 |
| 14 | 514.1.038.1A | Battery connection adapter | | 1 |
| 15 | 698.1.033.1A | Red case with sponge rubber | | 1 |
| 16 | 88765.1126T | DUCATI sticker RH/LH side | | 2 |
| 17 | 97900.0231 | (USB) Adaptor | | 1 |
| 18 | 97900.0218 | Depressure sensor | | 1 |
| 19 | 552.1.039.1A | Pressure sensor | | 1 |
| 20 | 97900.0230 | Feeder | | 1 |
| 21 | 97900.0220 | Depressure/pressure line | | 2 |
| 22 | 97900.0221 | Union | | 4 |
| 23 | 97900.0003 | Pressure kit | | 1 |
| 24 | 88765.1126C | Cable for potentiometer adjustment | | 1 |
| 25 | 97900.0227 | Main cable (MARELLI) (ABS) | | 1 |

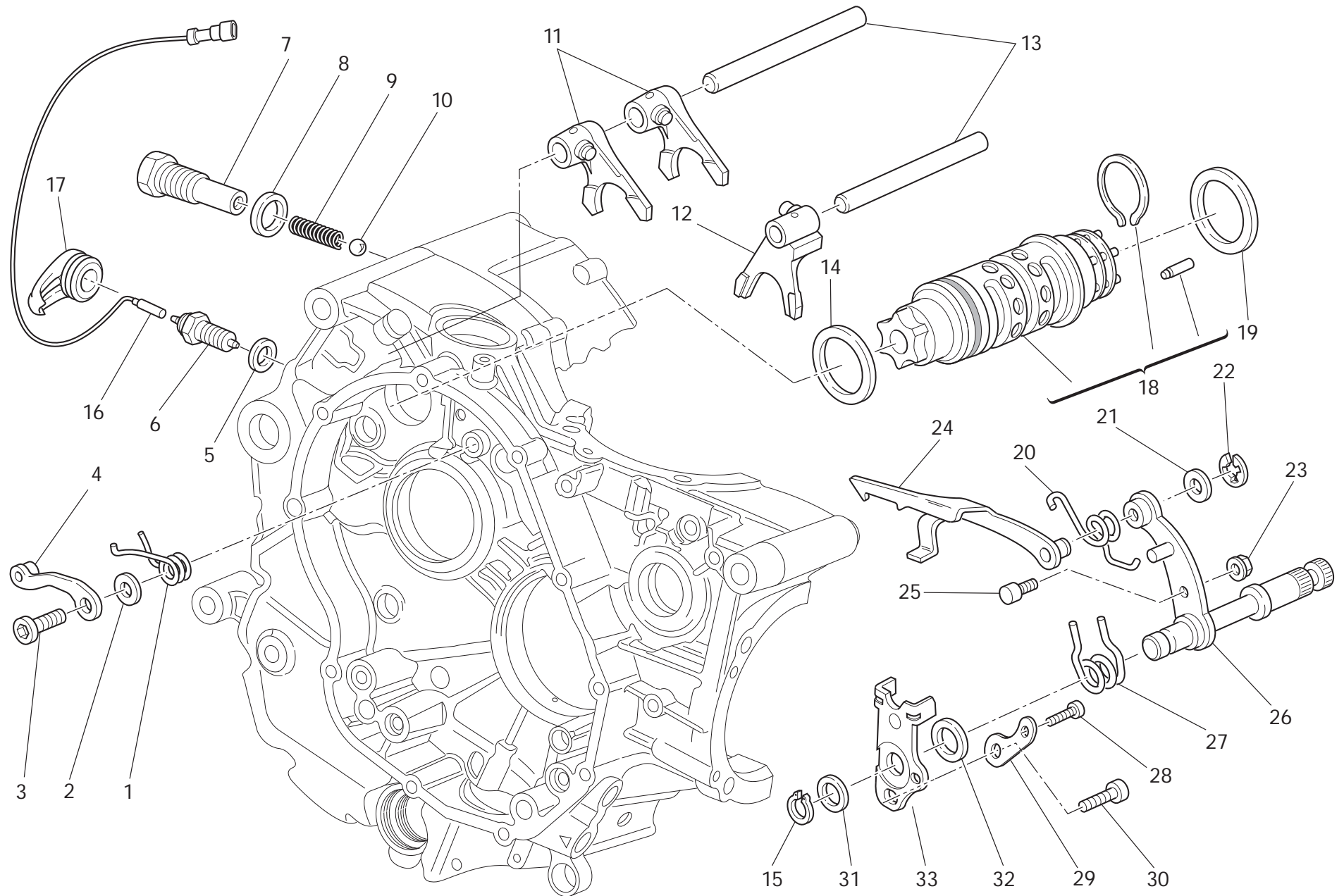
| NOTES NO. | CODE NO. | DESCRIPTION | VALIDITY | Q.TY  |
|-----------|----------|-------------|----------|--|
|-----------|----------|-------------|----------|--|

CATALOGUE No: 915.1.296.1D
ISSUED: 07 - 10

CATALOGUE No: 915.1.296.1D
ISSUED: 07 - 10

696 ABS


DRAWING 002 Gearchange control



696 ABS

DRAWING **002** Gearchange control

| NOTES NO. | CODE NO. | DESCRIPTION | VALIDITY | Q.TY  |
|-----------|--------------|------------------------------------|----------|--|
| 1 | 799.1.049.1A | Return spring | | 1 |
| 2 | 852.1.053.2A | Washer | | 1 |
| 3 | 779.1.039.1A | Special screw | | 1 |
| 4 | 455.2.003.1A | Gear stopper assembly | | 1 |
| 5 | 852.5.024.1A | Gasket th.1 | | 1 |
| 6 | 539.1.021.1B | Neutral indicator switch | | 1 |
| 7 | 779.1.203.3A | Special screw | | 1 |
| 8 | 0272.91.090 | Gasket | | 1 |
| 9 | 0660.13.143 | Gear selector spring | | 1 |
| 10 | 76835.1134 | Ball | | 1 |
| 11 | 0340.13.075 | 1st,4th-2nd,3rd gear selector fork | | 2 |
| 12 | 0340.13.080 | 5th,6th gear selector fork | | 1 |
| 13 | 0660.13.070 | Fork pin | | 2 |
| 14 | 852.1.005.1A | Shim th. 1 | | 1 |
| 15 | 73500.1542 | Circlip | | 1 |
| 16 | 510.1.658.1A | Wiring | | 1 |
| 17 | 758.1.045.1A | Fairlead | | 1 |
| 18 | 182.Z.001.1A | Complete gearbox drum | | 1 |
| 19 | 852.1.094.1A | Shim th. 0.9 | | 1 |
| 20 | 799.1.482.1A | Fork return spring | | 1 |
| 21 | 0400.09.050 | Shim th. 0.5 | | 1 |
| 21 | 0765.92.205 | Shim th. 0.2 | | 2 |
| 22 | 884.5.034.1A | Ring | | 1 |
| 23 | 748.1.040.1A | Nut | | 1 |
| 24 | 180.1.008.1A | Gearbox drum control fork | | 1 |
| 25 | 0660.13.165 | Gearchange lever pin | | 1 |
| 26 | 821.1.001.1A | Pin with gearchange lever | | 1 |

| NOTES NO. | CODE NO. | DESCRIPTION | VALIDITY | Q.TY  |
|-----------|--------------|--------------------------------|----------|--|
| 27 | 0799.13.110 | Gearchange lever return spring | | 1 |
| 28 | 771.5.067.0Z | Screw | | 1 |
| 29 | 713.1.915.1A | Spacer | | 1 |
| 30 | 771.5.125.0Z | Screw | | 1 |
| 31 | 0400.29.125 | Shim th. 0.2 | | 2 |
| 31 | 0400.29.126 | Shim th. 0.5 | | 1 |
| 32 | 881.1.012.1A | Centering ring | | 1 |
| 33 | 826.1.029.2A | Stopper plate | | 1 |

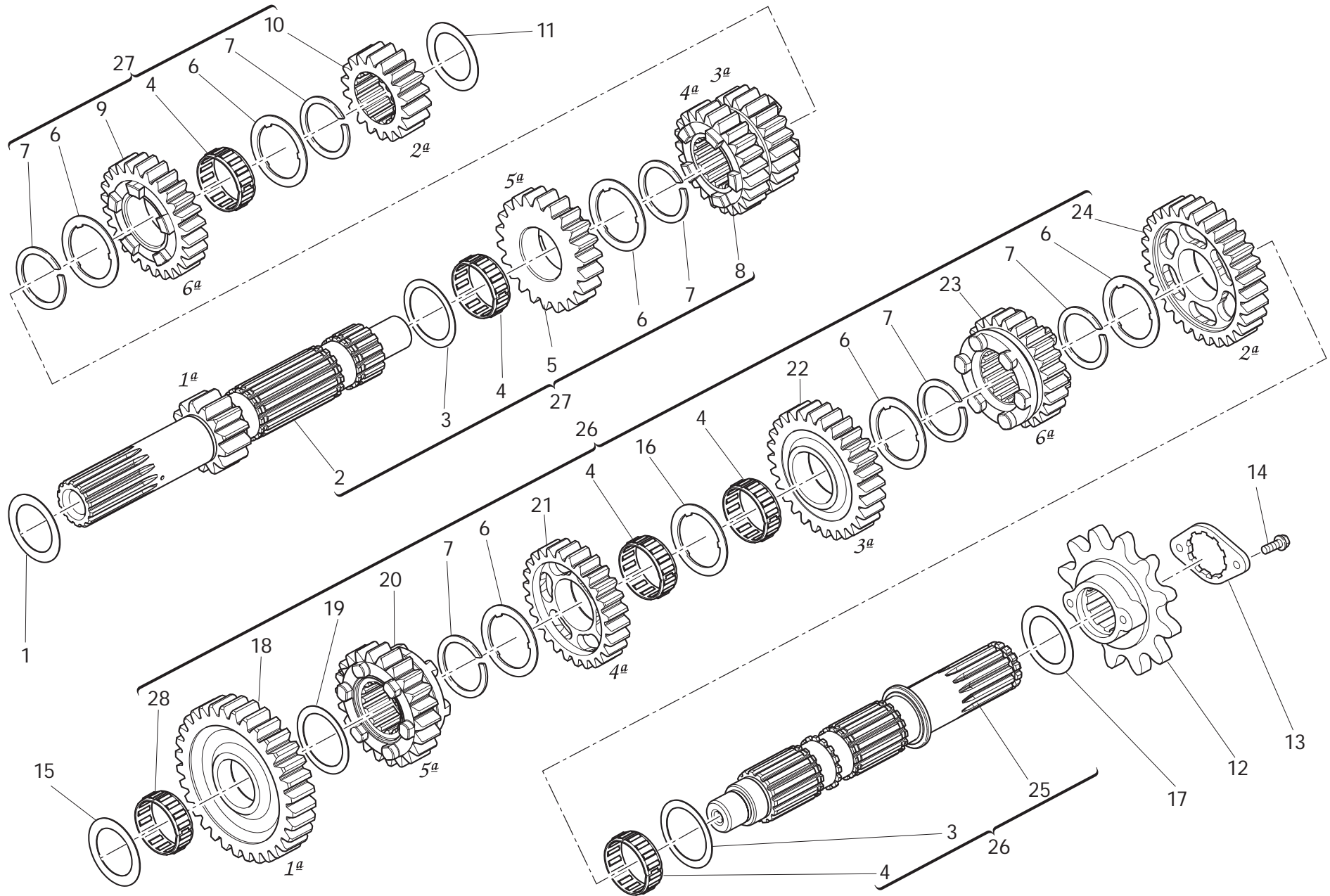
CATALOGUE No: 915.1.296.1D
ISSUED: 07 - 10

CATALOGUE No: 915.1.296.1D
ISSUED: 07 - 10

696 ABS

DRAWING 003


Gearbox




696 ABS

DRAWING **003**

Gearbox

| NOTES NO. | CODE NO. | DESCRIPTION | VALIDITY | Q.TY  |
|-----------|--------------|--------------------------|----------|--|
| 1 | 0251.47.054 | Shim th. 1.2 | | 1 |
| 2 | 149.1.033.1A | Gearbox main shaft | | 1 |
| 3 | 0670.16.150 | Shim th. 0.5 | | 2 |
| 4 | 701.4.005.1A | Needle bearing | | 5 |
| 5 | 172.1.110.1A | Driving gear 5th sp. | | 1 |
| 6 | 856.1.001.1A | Grooved washer th. 0.5 | | 6 |
| 7 | 0670.16.145 | Snap ring | | 6 |
| 8 | 172.1.109.1A | Driving gear 3rd/4th sp. | | 1 |
| 9 | 172.1.111.1A | Driving gear 6th sp. | | 1 |
| 10 | 172.1.108.1A | Driving gear 2nd sp. | | 1 |
| 11 | 713.1.014.1E | Shim th. 1.6 | | 1 |
| 12 | 449.1.052.1A | Chain sprocket | | 1 |
| 13 | 826.1.011.1A | Sprocket keep plate | | 1 |
| 14 | 772.1.062.1A | Screw | | 2 |
| 15 | 713.1.266.1A | Spacer th. 3,15 | | 1 |
| 16 | 856.1.031.1A | Grooved washer th. 0.5 | | 1 |
| 17 | 0670.16.170 | Shim th. 0.8 | | 1 |
| 18 | 172.1.112.1A | Driven gear 1st sp. | | 1 |
| 19 | 0670.16.155 | Shim th. 1 | | 1 |
| 20 | 172.1.116.1A | Driven gear 5th sp. | | 1 |
| 21 | 172.1.115.1A | Driven gear 4th sp. | | 1 |
| 22 | 172.1.114.1A | Driven gear 3rd sp. | | 1 |
| 23 | 172.1.117.1A | Driven gear 6th sp. | | 1 |
| 24 | 172.1.113.1A | Driven gear 2nd sp. | | 1 |
| 25 | 149.1.034.1A | Gearbox lay shaft | | 1 |
| 26 | 150.2.062.1A | Gearbox lay shaft | | 1 |
| 27 | 150.2.061.1A | Complete main shaft | | 1 |

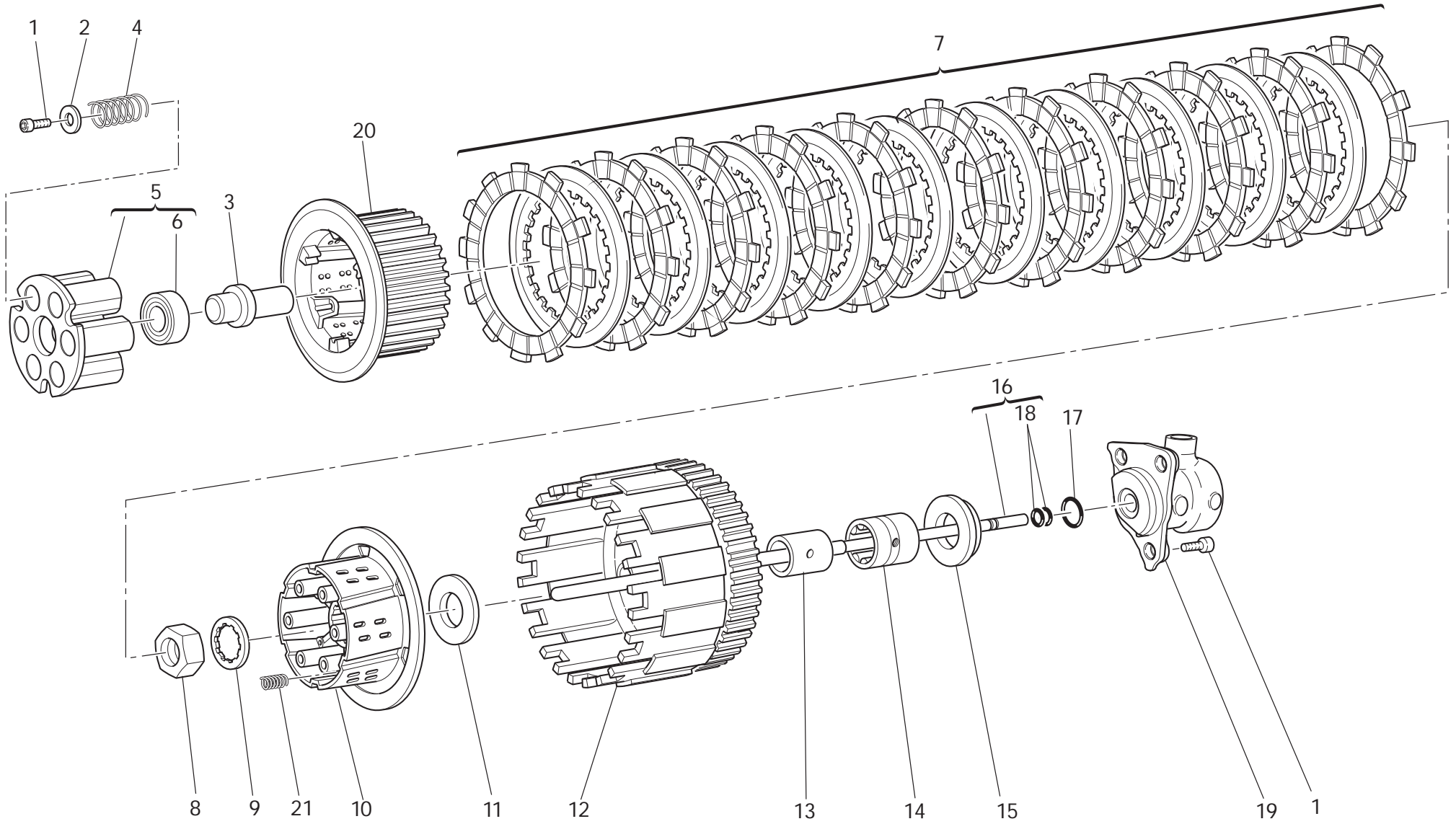
| NOTES NO. | CODE NO. | DESCRIPTION | VALIDITY | Q.TY  |
|-----------|------------|----------------|----------|--|
| 28 | 76402.0002 | Needle bearing | | 1 |

CATALOGUE No: 915.1.296.1D
ISSUED: 07 - 10

CATALOGUE No: 915.1.296.1D
ISSUED: 07 - 10

696 ABS

DRAWING 004 Clutch



696 ABS

DRAWING **004** Clutch

| NOTES NO. | CODE NO. | DESCRIPTION | VALIDITY | Q.TY  |
|-----------|--------------|--------------------|----------|--|
| 1 | 771.5.065.8B | Screw | | 9 |
| 2 | 852.1.177.1A | Washer | | 6 |
| 3 | 818.1.015.1A | Clutch control pin | | 1 |
| 4 | 797.1.022.1A | Clutch spring | | 6 |
| 5 | 194.2.020.1A | Pressure plate | | 1 |
| 6 | 702.5.038.1A | Bearing | | 1 |
| 7 | 190.2.016.1A | Clutch plates set | | 1 |
| 8 | 750.1.007.1A | Nut | | 1 |
| 9 | 851.1.020.1A | Lock washer | | 1 |
| 10 | 196.1.024.1A | Clutch drum | | 1 |
| 11 | 856.1.014.1A | Shim | | 1 |
| 12 | 198.1.033.1A | Clutch housing | | 1 |
| 13 | 881.1.026.1A | Inner ring | | 1 |
| 14 | 702.5.015.1A | Bearing | | 1 |
| 15 | 713.1.119.1A | Spacer | | 1 |
| 16 | 117.2.007.2A | Clutch control rod | | 1 |
| 17 | 886.4.043.1A | O-ring | | 1 |
| 18 | 886.4.173.1A | O-ring | | 2 |
| 19 | 195.4.003.1A | Piston assembly | | 1 |
| 20 | 196.1.025.1A | Hub | | 1 |
| 21 | 797.1.017.1A | Spring | | 3 |

| NOTES NO. | CODE NO. | DESCRIPTION | VALIDITY | Q.TY  |
|-----------|----------|-------------|----------|--|
|-----------|----------|-------------|----------|--|

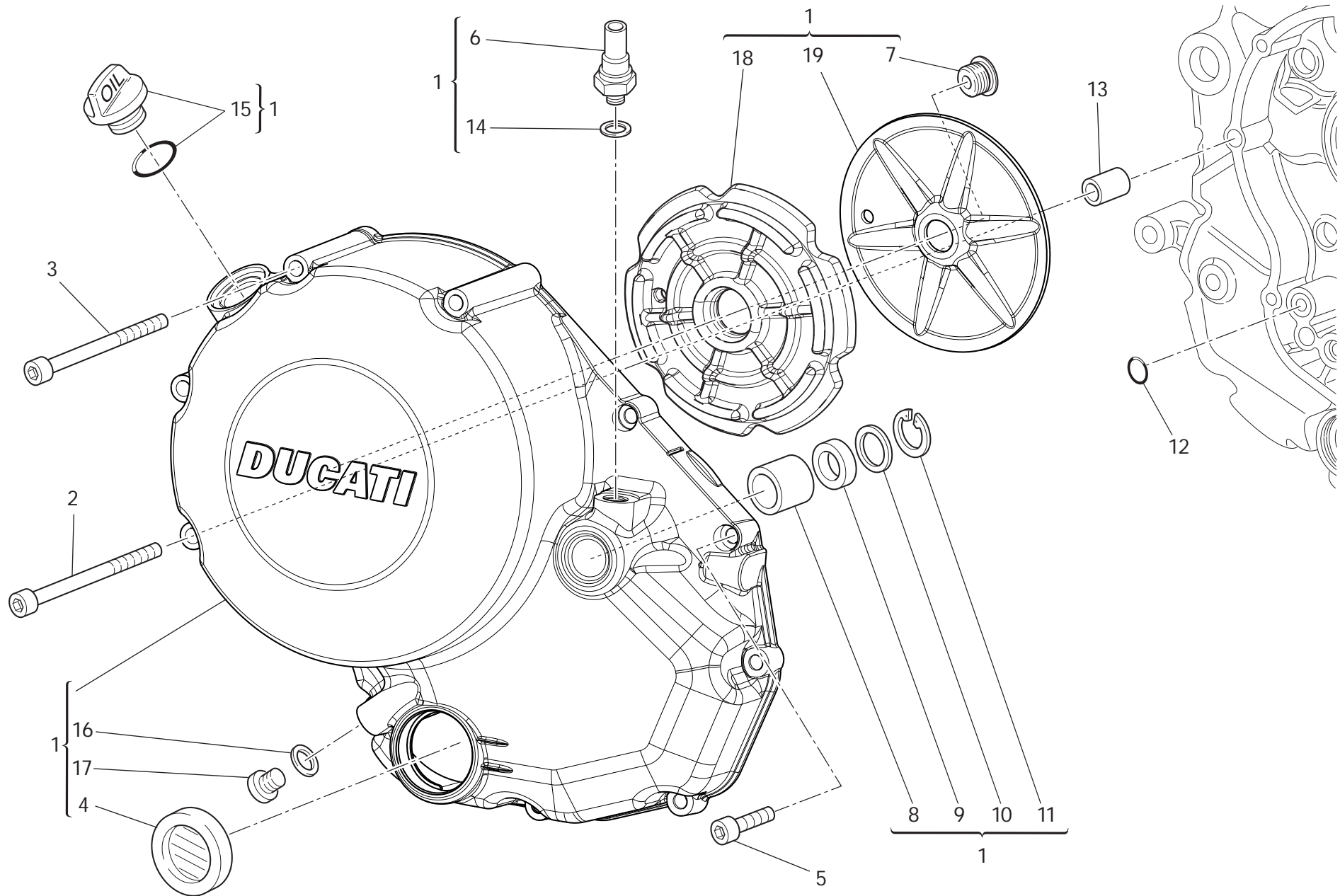
CATALOGUE No: 915.1.296.1D
ISSUED: 07 - 10

CATALOGUE No: 915.1.296.1D
ISSUED: 07 - 10

696 ABS


DRAWING 005

Clutch-side crankcase cover



696 ABS

DRAWING **005** Clutch-side crankcase cover

| NOTES NO. | CODE NO. | DESCRIPTION | VALIDITY | Q.TY  |
|-----------|---------------|----------------------------|----------|--|
| 1 | 243.2.118.1CC | Cover clutch side | | 1 |
| 2 | 771.5.083.8B | Screw | | 1 |
| 3 | 771.5.081.8B | Screw | | 3 |
| 4 | 254.4.001.2A | Oil level sight glass | | 1 |
| 5 | 771.5.069.8B | Screw | | 6 |
| 6 | 539.4.030.2A | Engine oil pressure sensor | | 1 |
| 7 | 779.1.501.1A | Screw | | 1 |
| 8 | 0665.49.680 | Bush | | 1 |
| 9 | 930.4.021.1A | Seal ring | | 1 |
| 10 | 852.1.135.1A | Shim th. 1 | | 1 |
| 11 | 884.5.013.1A | Circlip | | 1 |
| 12 | 886.4.132.1A | O-ring | | 1 |
| 13 | 711.1.160.1A | Locating bush | | 1 |
| 14 | 852.1.195.1A | Washer | | 1 |
| 15 | 893.2.012.1A | Complete cap | | 1 |
| 16 | 852.5.024.1A | Gasket th.1 | | 1 |
| 17 | 780.5.001.2A | Cap | | 1 |
| 18 | 486.1.072.1A | Panel | | 1 |
| 19 | 827.1.433.1A | Plate | | 1 |

| NOTES NO. | CODE NO. | DESCRIPTION | VALIDITY | Q.TY  |
|-----------|----------|-------------|----------|--|
|-----------|----------|-------------|----------|--|

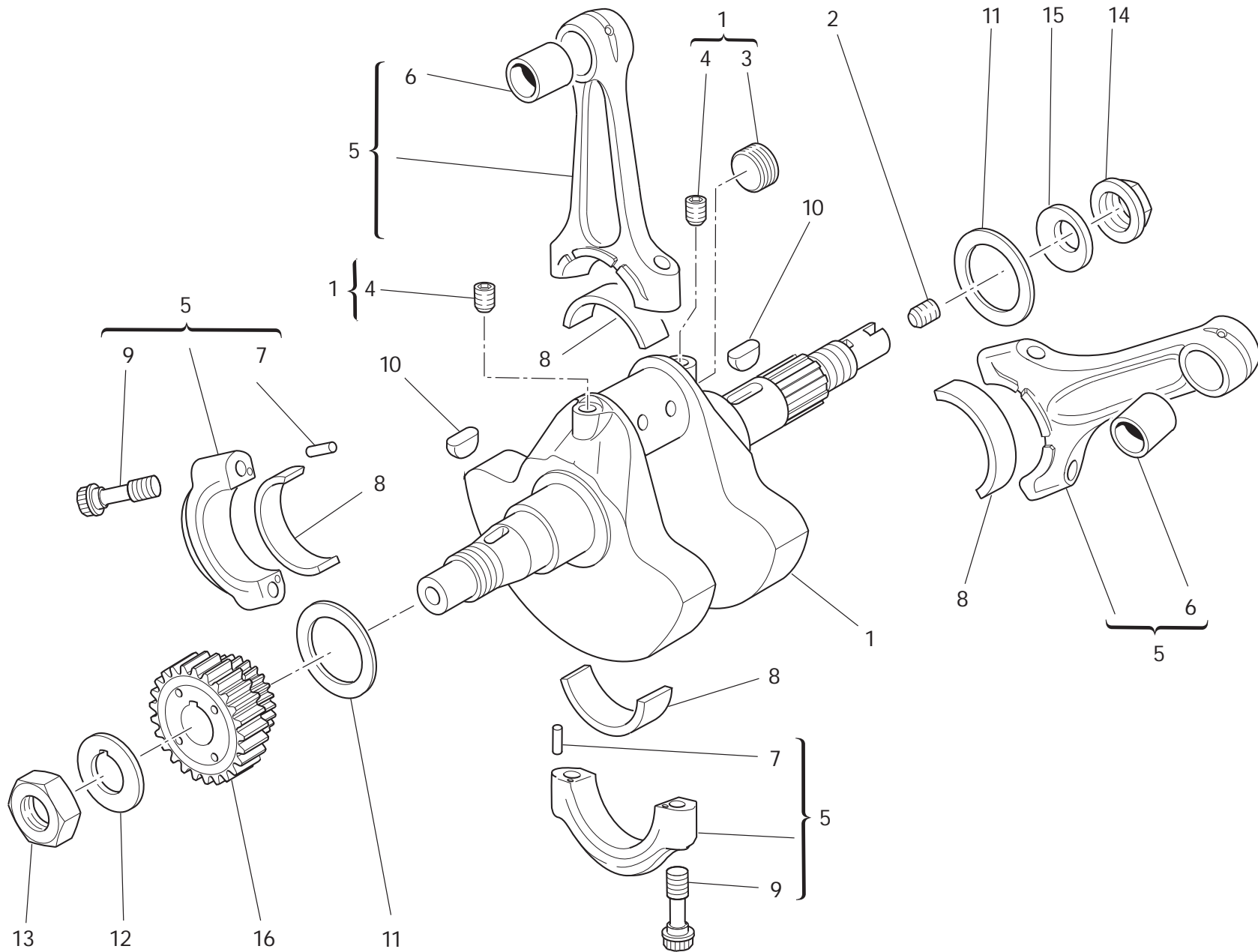
CATALOGUE No: 915.1.296.1D
ISSUED: 07 - 10

CATALOGUE No: 915.1.296.1D
ISSUED: 07 - 10

696 ABS


DRAWING **006**

Connecting rods




696 ABS

DRAWING **006** Connecting rods

| NOTES NO. | CODE NO. | DESCRIPTION | VALIDITY | Q.TY  |
|-----------|--------------|-----------------------|----------|--|
| 1 | 146.2.152.1A | Crankshaft | | 1 |
| 2 | 779.1.109.2A | Special screw | | 1 |
| 3 | 780.1.016.1A | Cap | | 1 |
| 4 | 779.1.547.1A | Special screw | | 2 |
| 5 | 158.2.018.2A | Connecting rods pair | | 1 |
| 6 | 0660.47.290 | Standard bush | | 2 |
| 7 | 74224.0570 | Pin | | 4 |
| 8 | 0660.47.230 | Standard half-bearing | | 4 |
| 9 | 779.1.404.1A | Special screw | | 4 |
| 10 | 680.1.013.1A | Woodruff key | | 2 |
| 11 | 852.1.104.1K | Shim th. 2,4 | | 2 |
| 11 | 852.1.104.1H | Shim th. 2,25 | | 1 |
| 11 | 852.1.104.1L | Shim th. 2,45 | | 2 |
| 11 | 852.1.104.1M | Shim th. 2,5 | | 2 |
| 11 | 852.1.104.1N | Shim th. 2,55 | | 2 |
| 11 | 852.1.104.2A | Shim th. 1,9 | | 2 |
| 11 | 852.1.104.2B | Shim th. 1,95 | | 2 |
| 11 | 852.1.104.2C | Shim th. 2 | | 2 |
| 11 | 852.1.104.2D | Shim th. 2,05 | | 2 |
| 11 | 852.1.104.2E | Shim th. 2,1 | | 2 |
| 11 | 852.1.104.2F | Shim th. 2,15 | | 2 |
| 11 | 852.1.104.2G | Shim th. 2,2 | | 2 |
| 11 | 852.1.104.2I | Shim th. 2,3 | | 2 |
| 11 | 852.1.104.2J | Shim th. 2,35 | | 2 |
| 12 | 851.1.019.1A | Lock washer | | 1 |
| 13 | 0660.47.040 | Nut | | 1 |
| 14 | 750.1.012.2A | Nut | | 1 |

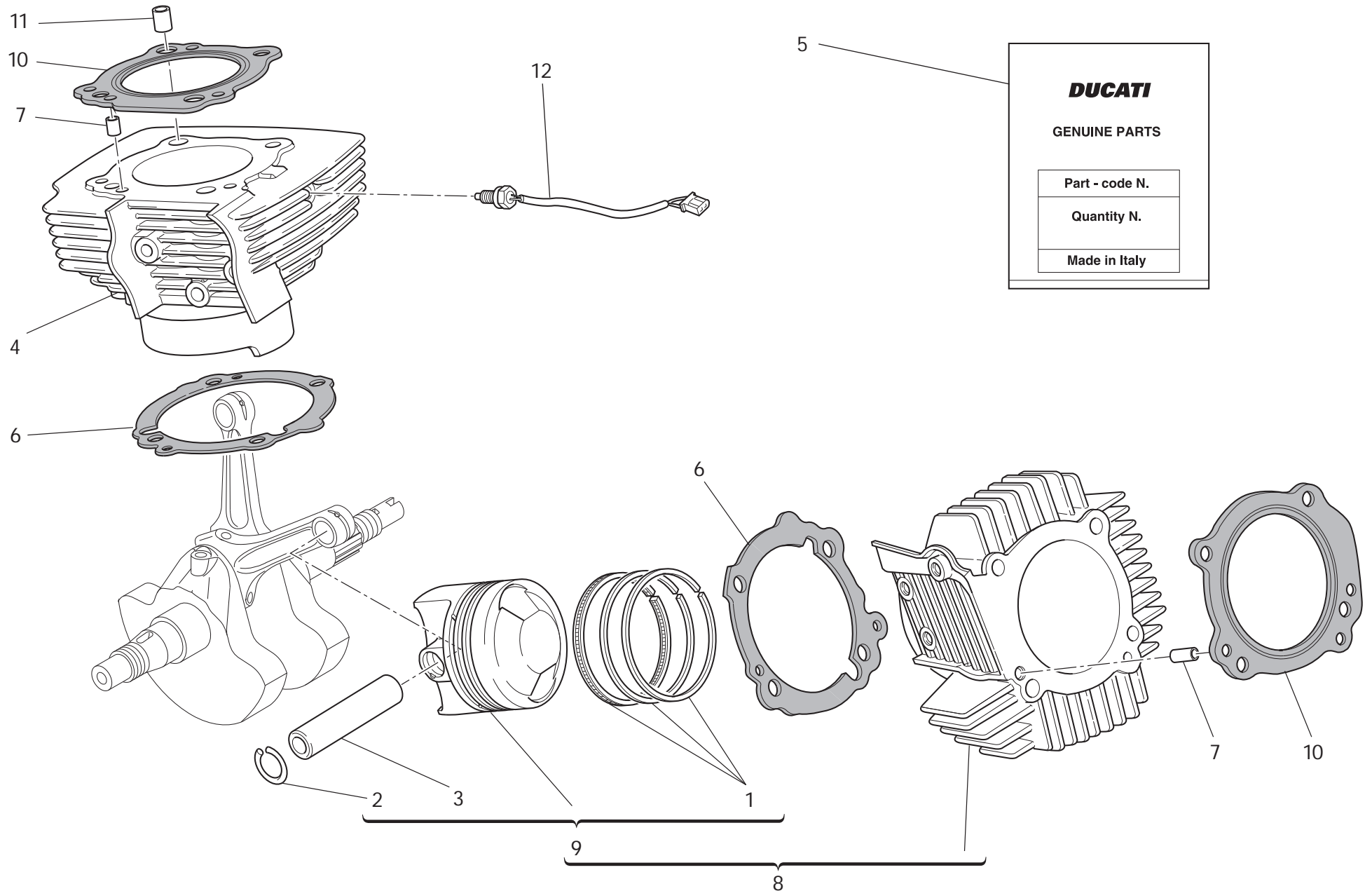
CATALOGUE No: 915.1.296.1D
ISSUED: 07 - 10

| NOTES NO. | CODE NO. | DESCRIPTION | VALIDITY | Q.TY  |
|-----------|--------------|-----------------|----------|--|
| 15 | 799.1.051.2A | Spring washer | | 1 |
| 16 | 170.1.051.1A | Engine sprocket | | 1 |

CATALOGUE No: 915.1.296.1D
ISSUED: 07 - 10

696 ABS

DRAWING **007** Cylinders - pistons




DUCATI
GENUINE PARTS

| |
|----------------|
| Part - code N. |
| Quantity N. |
| Made in Italy |

696 ABS

DRAWING **007** Cylinders - pistons

| NOTES NO. | CODE NO. | DESCRIPTION | VALIDITY | Q.TY  |
|-----------|--------------|-----------------------------------|----------|--|
| 1 | 121.2.053.1B | Piston rings set | | 2 |
| 2 | 121.1.174.1A | Piston pin circlip | | 4 |
| 3 | 121.1.237.1A | Piston pin | | 2 |
| 4 | 120.2.122.3A | Vertical cylinder-piston fit | | 1 |
| 5 | 791.2.046.1A | Head-cylinder gaskets set | | 1 |
| 6 | 786.1.106.1A | Cylinder-crankcase gasket th. 0.4 | | 2 |
| 7 | 711.1.172.1A | Bush | | 2 |
| 8 | 120.2.123.3A | Horizontal cylinder-piston fit | | 1 |
| 9 | 122.2.157.1C | Complete piston | | 2 |
| 10 | 786.1.104.1A | Head-cylinder gasket | | 2 |
| 11 | 711.1.126.1A | Bush | | 4 |
| 12 | 552.4.145.2A | Temperature sensor | | 1 |

| NOTES NO. | CODE NO. | DESCRIPTION | VALIDITY | Q.TY  |
|-----------|----------|-------------|----------|--|
|-----------|----------|-------------|----------|--|

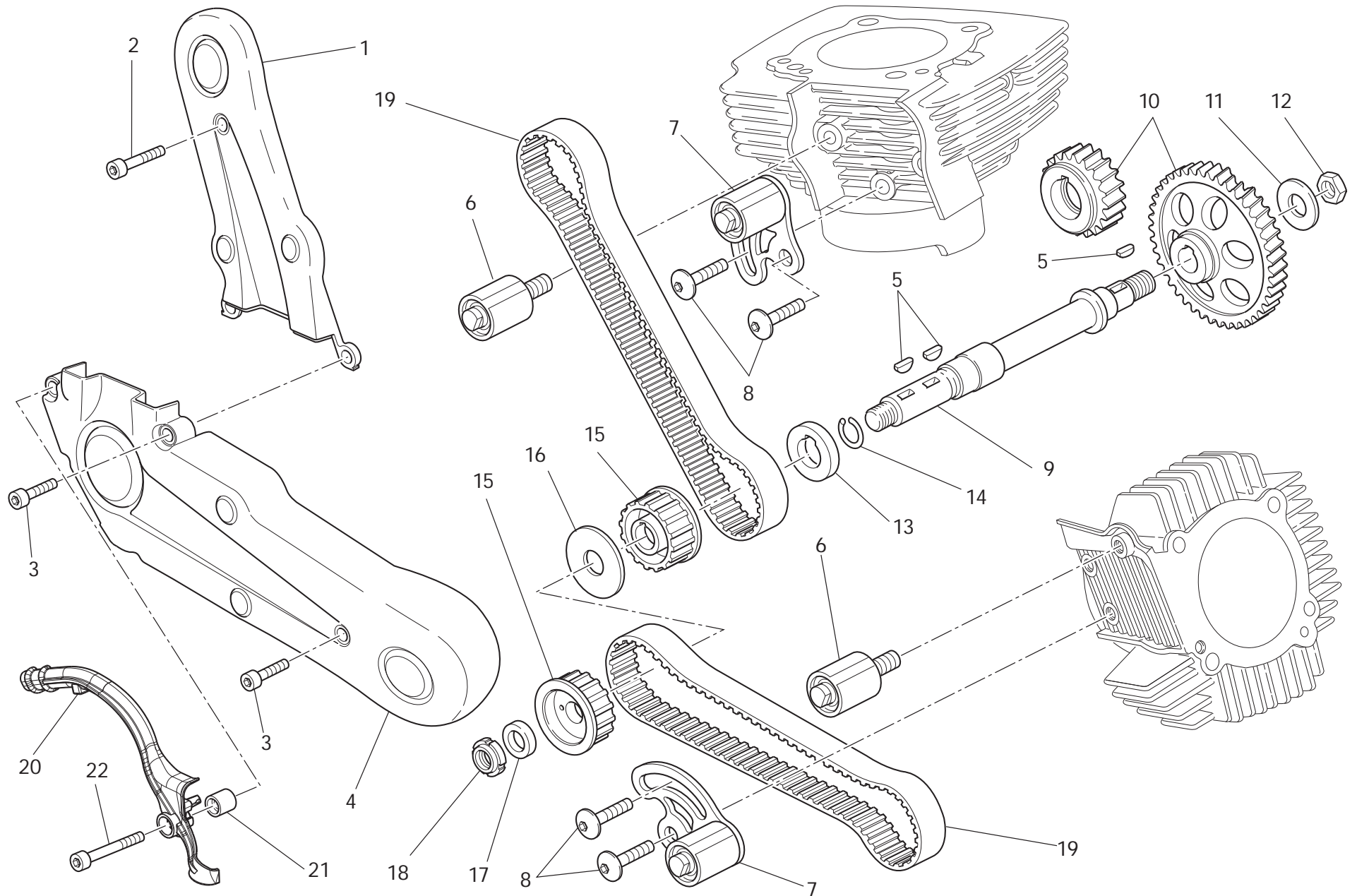
CATALOGUE No: 915.1.296.1D
ISSUED: 07 - 10

CATALOGUE No: 915.1.296.1D
ISSUED: 07 - 10

696 ABS


DRAWING 008

Timing system



696 ABS

DRAWING **008** Timing system

| NOTES NO. | CODE NO. | DESCRIPTION | VALIDITY | Q.TY  |
|-----------|--------------|---|----------|--|
| 1 | 245.1.079.1A | Vertical timing belt cover | | 1 |
| 2 | 771.1.052.1A | Screw | | 1 |
| 3 | 771.1.049.1A | Screw | | 3 |
| 4 | 245.1.080.1A | Horizontal timing belt cover | | 1 |
| 5 | 680.1.013.1A | Woodruff key | | 3 |
| 6 | 451.2.021.1A | Fixed tensioner assembly | | 2 |
| 7 | 451.2.020.1A | Complete vertical cylinder tensioner roller | | 2 |
| 8 | 772.1.010.3A | Screw | | 4 |
| 9 | 147.1.026.1A | Lay shaft | | 1 |
| 10 | 171.2.108.1A | Timing gears pair | | 1 |
| 11 | 851.1.013.1A | Lock washer | | 1 |
| 12 | 0124.40.060 | Hexagon nut | | 1 |
| 13 | 716.1.073.2A | Spacer | | 1 |
| 14 | 882.1.003.1A | Snap ring | | 1 |
| 15 | 255.1.023.3A | Timing belt roller Z=20 | | 2 |
| 16 | 856.1.062.2A | Belt roller separating washer | | 1 |
| 17 | 716.1.099.1A | Spacer | | 1 |
| 18 | 703.5.006.2A | Elastic-stop ring nut | | 1 |
| 19 | 737.4.024.2A | Timing drive toothed belt | | 2 |
| 20 | 758.1.048.1A | Fairlead | | 1 |
| 21 | 713.1.907.1A | Spacer | | 1 |
| 22 | 771.1.376.1A | Screw | | 1 |

| NOTES NO. | CODE NO. | DESCRIPTION | VALIDITY | Q.TY  |
|-----------|----------|-------------|----------|--|
|-----------|----------|-------------|----------|--|

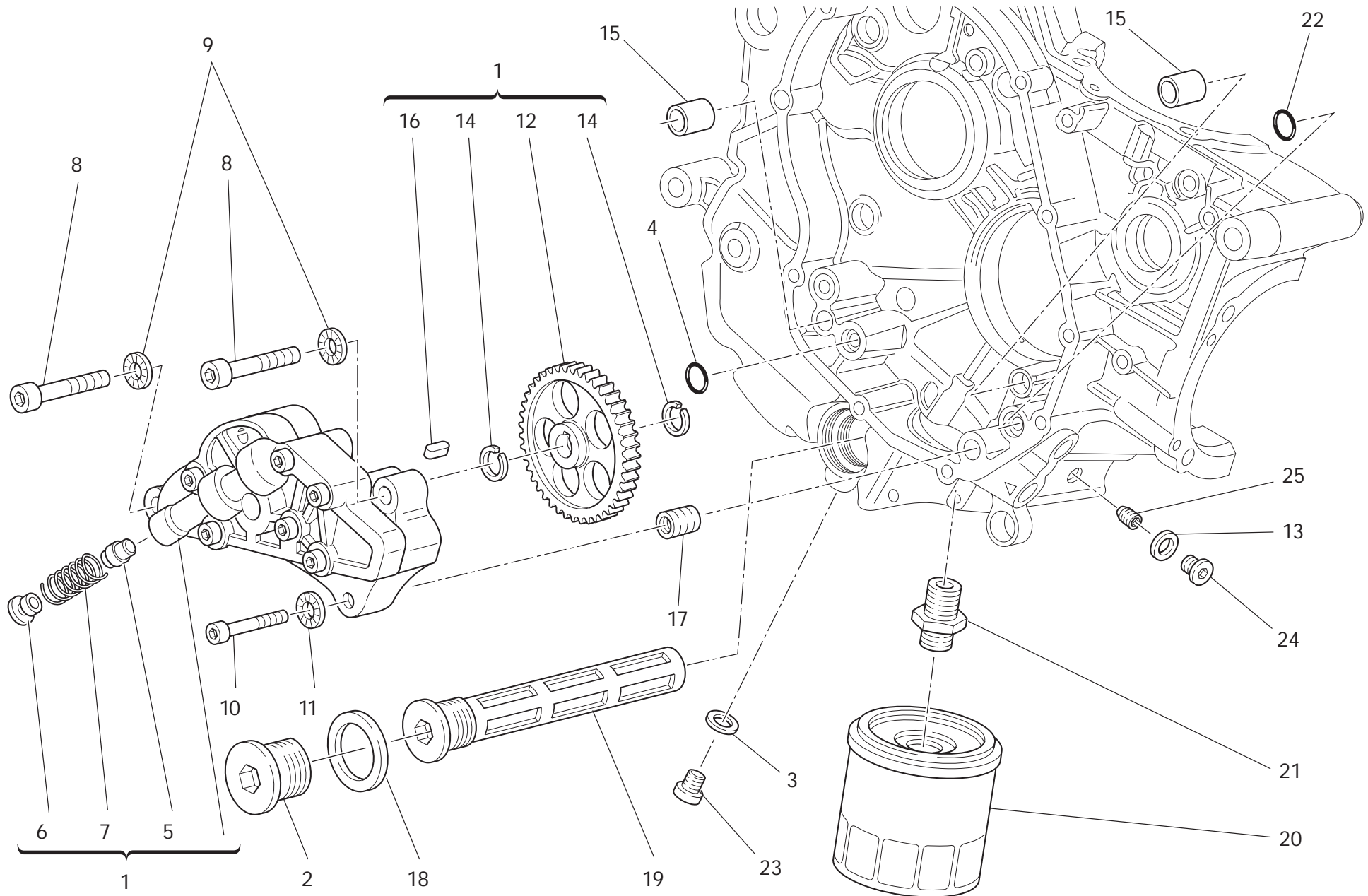
CATALOGUE No: 915.1.296.1D
ISSUED: 07 - 10

CATALOGUE No: 915.1.296.1D
ISSUED: 07 - 10

696 ABS

DRAWING 009

Filters and oil pump



696 ABS

DRAWING **009** Filters and oil pump

| NOTES NO. | CODE NO. | DESCRIPTION | VALIDITY | Q.TY  |
|-----------|--------------|----------------------|----------|--|
| 1 | 174.2.038.1D | Complete oil pump | | 1 |
| 2 | 873.1.037.1A | Cap | | 1 |
| 3 | 852.1.120.1A | Aluminium gasket | | 1 |
| 4 | 886.4.037.1A | O-Ring | | 1 |
| 5 | 593.1.018.1A | Bypass valve | | 1 |
| 6 | 780.1.018.1C | Bypass cap | | 1 |
| 7 | 799.1.055.1A | Bypass spring | | 1 |
| 8 | 771.5.129.8B | Screw | | 2 |
| 9 | 852.1.174.1A | Washer | | 2 |
| 10 | 771.5.069.8B | Screw | | 1 |
| 11 | 852.1.172.1A | Washer | | 1 |
| 12 | 174.1.038.1A | Pump drive gear | | 1 |
| 13 | 852.1.195.1A | Washer | | 1 |
| 14 | 884.5.039.1A | Circlip | | 2 |
| 15 | 0759.49.280 | Locating bush | | 2 |
| 16 | 680.1.001.1B | Woodruff key | | 1 |
| 17 | 0670.49.310 | Reduction bush | | 1 |
| 18 | 852.5.005.1A | Gasket th.1,5 | | 1 |
| 19 | 894.2.009.1A | Oil filter | | 1 |
| 20 | 444.4.003.5A | Oil filter cartridge | | 1 |
| 21 | 815.1.028.1A | Nipple | | 1 |
| 22 | 886.4.132.1A | O-ring | | 1 |
| 23 | 779.1.198.2A | Cap | | 1 |
| 24 | 779.1.162.2A | Cap | | 1 |
| 25 | 778.5.016.1A | Threaded dowel | | 1 |

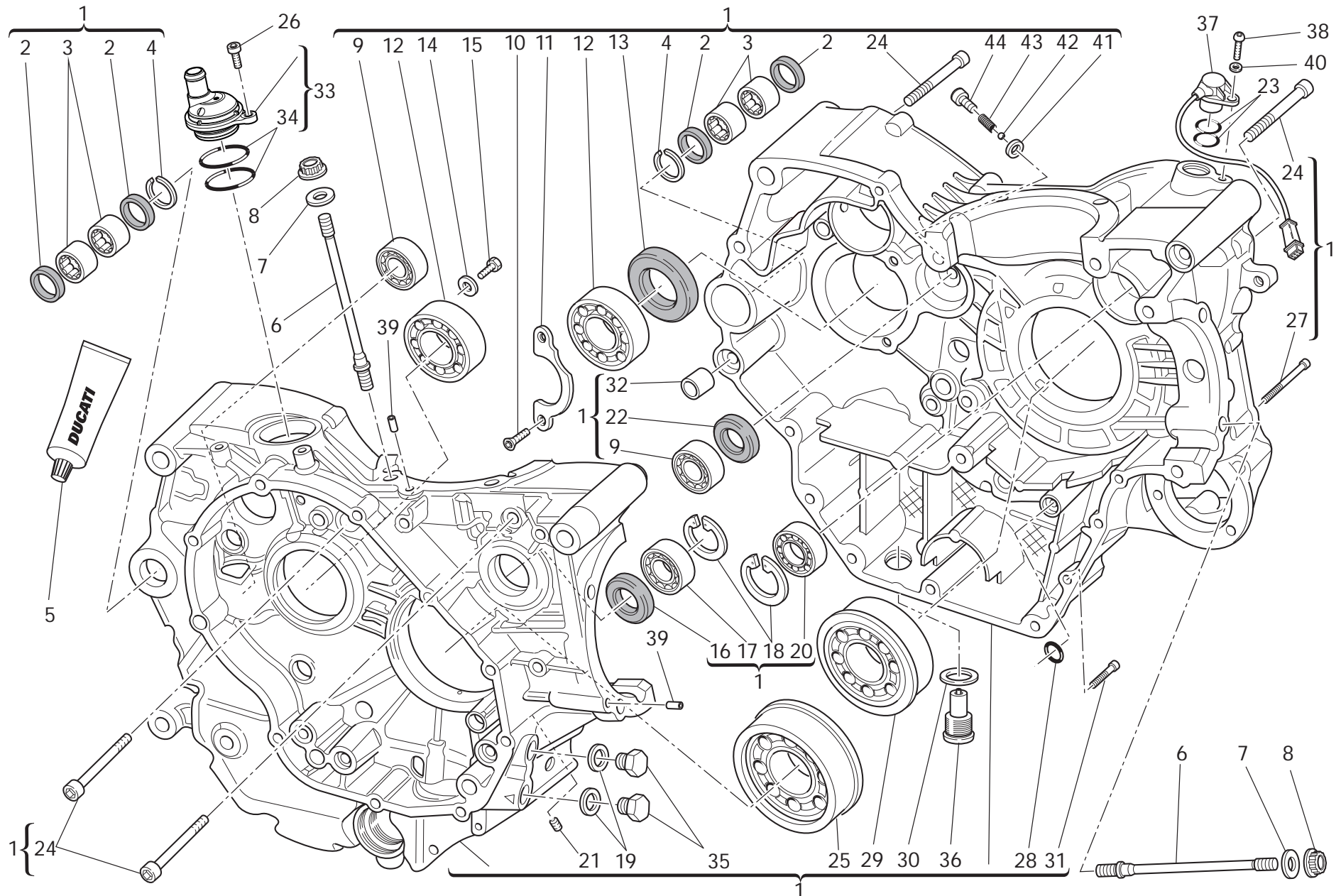
| NOTES NO. | CODE NO. | DESCRIPTION | VALIDITY | Q.TY  |
|-----------|----------|-------------|----------|--|
|-----------|----------|-------------|----------|--|

CATALOGUE No: 915.1.296.1D
ISSUED: 07 - 10

CATALOGUE No: 915.1.296.1D
ISSUED: 07 - 10


696 ABS

DRAWING 010 Crankcase halves




696 ABS

DRAWING **010** Crankcase halves

| NOTES NO. | CODE NO. | DESCRIPTION | VALIDITY | Q.TY  |
|-----------|--------------|---------------------------------------|----------|--|
| 1 | 225.2.255.1D | Complete half-crankcases pair | | 1 |
| 2 | 0755.49.265 | Seal ring | | 4 |
| 3 | 76400.0004 | Needle bearing | | 4 |
| 4 | 884.4.053.1A | Snap ring | | 2 |
| 5 | 94247.0014 | Fluid sealant | | 1 |
| 6 | 766.1.067.3B | Stud bolt for fastening head cylinder | | 8 |
| 7 | 856.1.064.2A | Special washer | | 8 |
| 8 | 748.1.050.1A | Nut | | 8 |
| 9 | 702.4.040.1A | Bearing | | 2 |
| 10 | 72094.1616 | Screw | | 2 |
| 11 | 036749.275 | Keep plate | | 1 |
| 12 | 75120.2567 | Bearing | | 2 |
| 13 | 0660.49.268 | Seal ring | | 1 |
| 14 | 713.1.140.1A | Spacer | | 2 |
| 15 | 770.5.250.8B | Screw | | 2 |
| 16 | 930.4.123.1A | Seal ring | | 1 |
| 17 | 75794.1542 | Bearing | | 1 |
| 18 | 73503.3380 | Circlip | | 2 |
| 19 | 787.1.011.1A | Aluminium gasket th.2 | | 2 |
| 20 | 702.5.008.1A | Bearing | | 1 |
| 21 | 779.5.062.1A | Threaded dowel | | 1 |
| 22 | 930.4.093.1A | Seal ring | | 1 |
| 23 | 886.4.033.1A | O-ring | | 2 |
| 24 | 771.5.136.8B | Screw | | 7 |
| 25 | 702.4.093.1A | Bearing | | 1 |
| 26 | 771.5.065.8B | Screw | | 1 |
| 27 | 771.5.080.8B | Screw | | 1 |

CATALOGUE No: 915.1.296.1D
ISSUED: 07 - 10

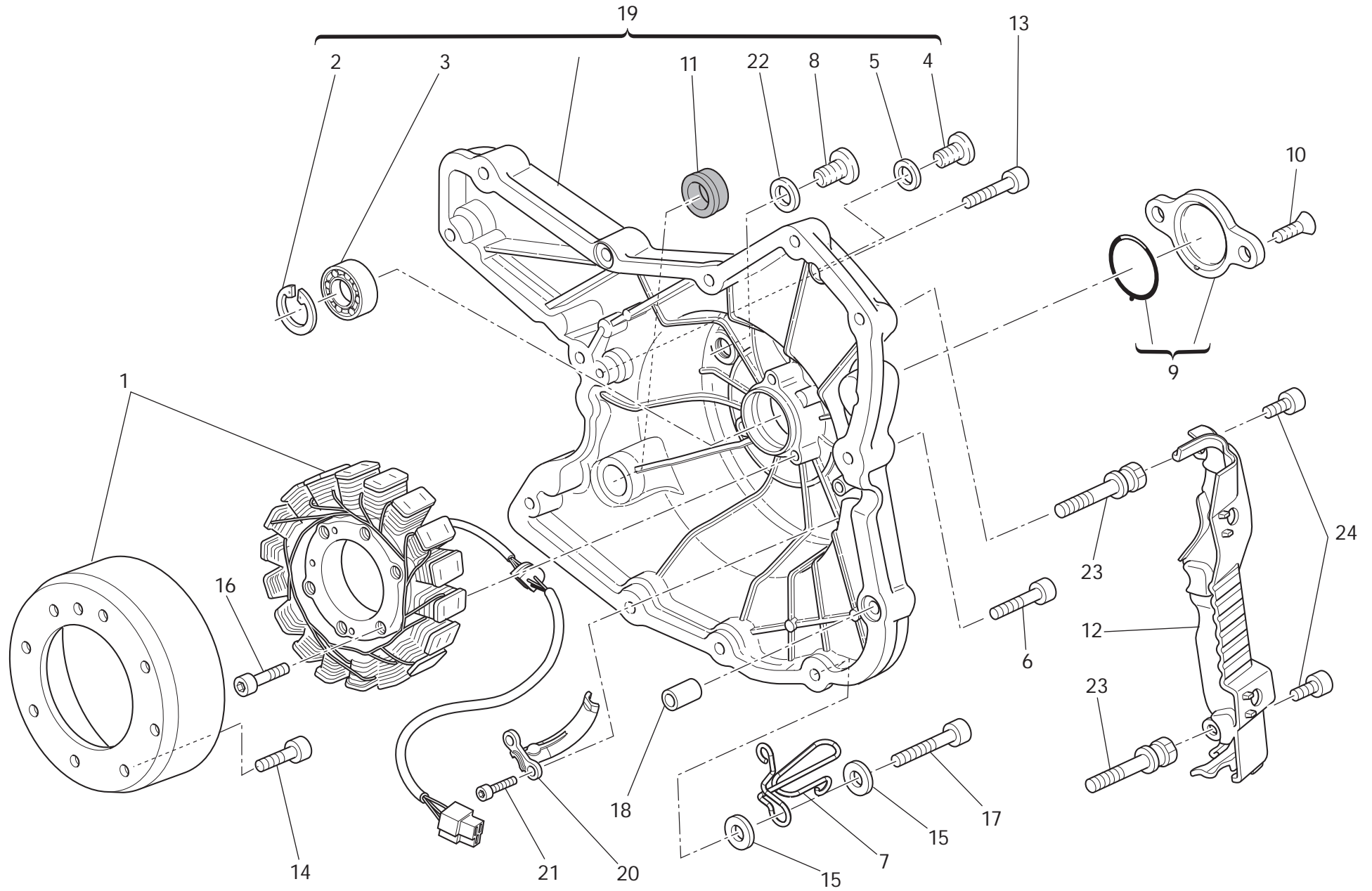
| NOTES NO. | CODE NO. | DESCRIPTION | VALIDITY | Q.TY  |
|-----------|--------------|-------------------|----------|--|
| 28 | 886.4.132.1A | O-ring | | 1 |
| 29 | 702.4.092.1A | Bearing | | 1 |
| 30 | 852.5.024.1A | Gasket th.1 | | 1 |
| 31 | 771.5.072.8B | Screw | | 5 |
| 32 | 711.1.095.1A | Bush | | 2 |
| 33 | 593.2.047.1A | Breather valve | | 1 |
| 34 | 463.2.022.2A | O-Ring | | 2 |
| 35 | 780.1.037.1A | Cap | | 2 |
| 36 | 893.2.006.2A | Cap | | 1 |
| 37 | 552.4.132.1B | Rpm/timing sensor | | 1 |
| 38 | 775.5.021.1A | Screw | | 1 |
| 39 | 711.1.128.1A | Bush | | 2 |
| 40 | 853.1.003.1A | Spring washer | | 1 |
| 41 | 852.5.023.1A | Gasket | | 1 |
| 42 | 847.4.006.1A | Ball | | 1 |
| 43 | 799.4.012.1A | Spring | | 1 |
| 44 | 771.1.382.1A | Special screw | | 1 |

CATALOGUE No: 915.1.296.1D
ISSUED: 07 - 10

696 ABS

DRAWING **011**

Alternator-side crankcase cover



696 ABS

DRAWING **011** Alternator-side crankcase cover

| NOTES NO. | CODE NO. | DESCRIPTION | VALIDITY | Q.TY  |
|-----------|---------------|-------------------------|----------|--|
| 1 | 264.4.022.1A | Generator "KOKUSAN" | | 1 |
| 2 | 73503.3380 | Circlip | | 1 |
| 3 | 702.5.008.1A | Bearing | | 1 |
| 4 | 779.1.026.2A | Screw | | 1 |
| 5 | 852.5.026.1A | Aluminium gasket th.1,5 | | 1 |
| 6 | 771.4.069.7C | Screw | | 7 |
| 7 | 881.1.063.1A | Hose guide | | 1 |
| 8 | 779.1.198.2A | Cap | | 1 |
| 9 | 699.2.453.1A | Cover kit | | 1 |
| 10 | 777.5.049.8C | Screw | | 2 |
| 11 | 93783.1524 | Seal ring | | 1 |
| 12 | 758.1.047.1C | Cover | | 1 |
| 13 | 771.4.067.7C | Screw | | 2 |
| 14 | 779.4.075.1A | Screw | | 8 |
| 15 | 852.1.176.1A | Washer | | 2 |
| 16 | 771.5.073.8B | Screw | | 3 |
| 17 | 771.4.071.7C | Screw | | 2 |
| 18 | 711.1.160.1A | Locating bush | | 2 |
| 19 | 242.2.102.1CD | Generator cover | | 1 |
| 20 | 830.1.284.1A | Bracket | | 1 |
| 21 | 771.5.040.8B | Screw | | 2 |
| 22 | 852.1.120.1A | Aluminium gasket | | 1 |
| 23 | 779.1.631.1A | Special screw | | 2 |
| 24 | 771.5.038.8B | Screw | | 2 |

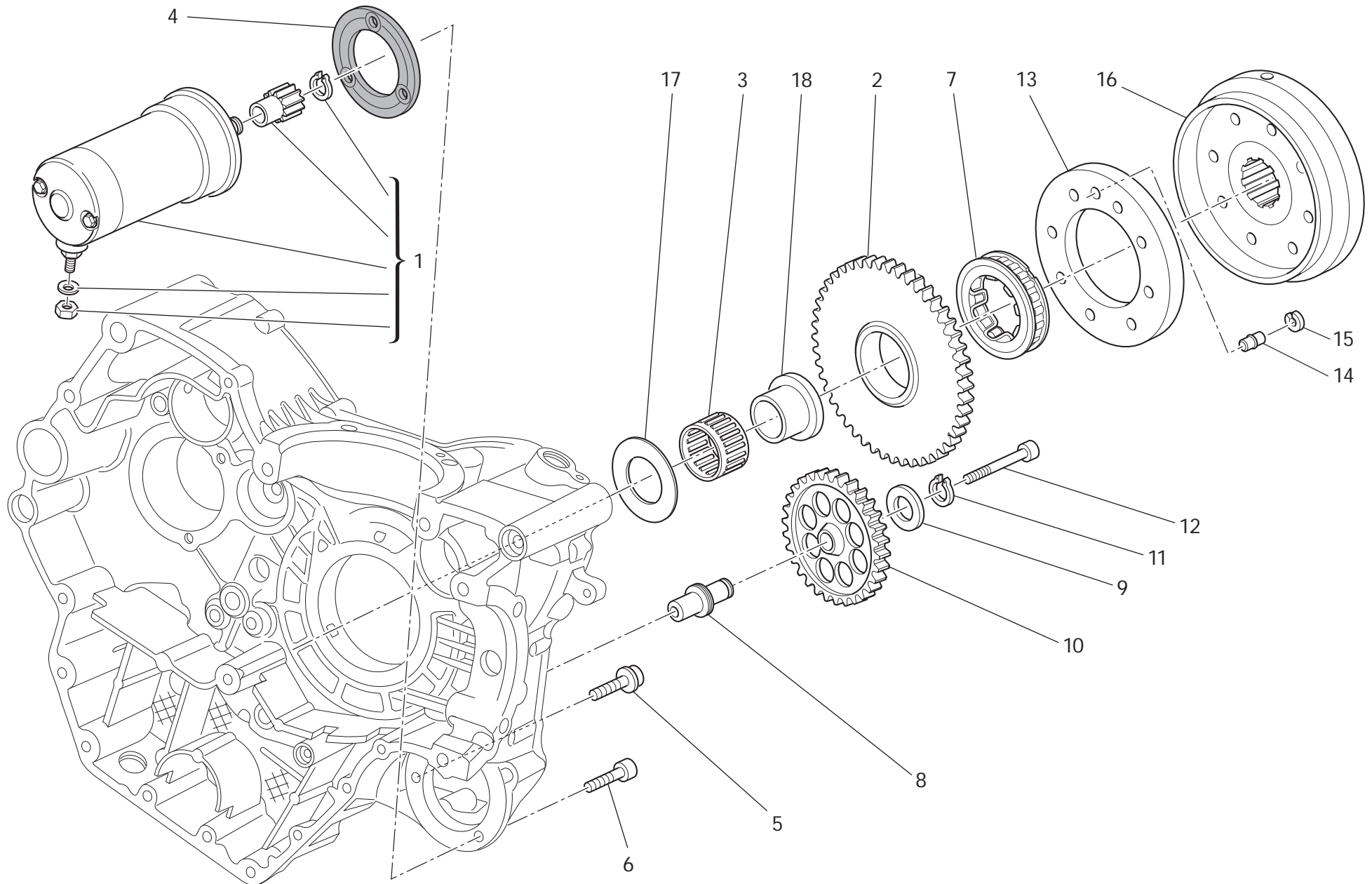
| NOTES NO. | CODE NO. | DESCRIPTION | VALIDITY | Q.TY  |
|-----------|----------|-------------|----------|--|
|-----------|----------|-------------|----------|--|

CATALOGUE No: 915.1.296.1D
ISSUED: 07 - 10

CATALOGUE No: 915.1.296.1D
ISSUED: 07 - 10


696 ABS

DRAWING **012** Electric starting and ignition



696 ABS

DRAWING **012** Electric starting and ignition

| NOTES NO. | CODE NO. | DESCRIPTION | VALIDITY | Q.TY  |
|-----------|--------------|------------------------------|----------|--|
| 1 | 270.4.011.4A | Starter motor | | 1 |
| 2 | 173.Z.001.1A | Electric starter driven gear | | 1 |
| 3 | 701.4.003.1A | Needle bearing | | 1 |
| 4 | 788.1.054.2A | Starter motor gasket | | 1 |
| 5 | 771.1.386.1A | Screw | | 2 |
| 6 | 771.1.051.8B | Screw | | 1 |
| 7 | 701.4.024.1A | Starter clutch | | 1 |
| 8 | 821.1.257.1B | Intermediate gear pin | | 1 |
| 9 | 856.1.071.1A | Washer | | 1 |
| 10 | 176.Z.001.1A | Intermediate gear assembly | | 1 |
| 11 | 73500.1440 | Circlip | | 1 |
| 12 | 771.5.078.8B | Screw | | 1 |
| 13 | 160.1.057.1A | Flange | | 1 |
| 14 | 863.1.002.1A | Locating pin | | 1 |
| 15 | 882.1.012.1A | Check ring | | 1 |
| 16 | 276.1.025.1C | Ignition flywheel | | 1 |
| 17 | 0619.50.065 | Washer | | 1 |
| 18 | 881.1.010.1C | Inner ring | | 1 |

| NOTES NO. | CODE NO. | DESCRIPTION | VALIDITY | Q.TY  |
|-----------|----------|-------------|----------|--|
|-----------|----------|-------------|----------|--|

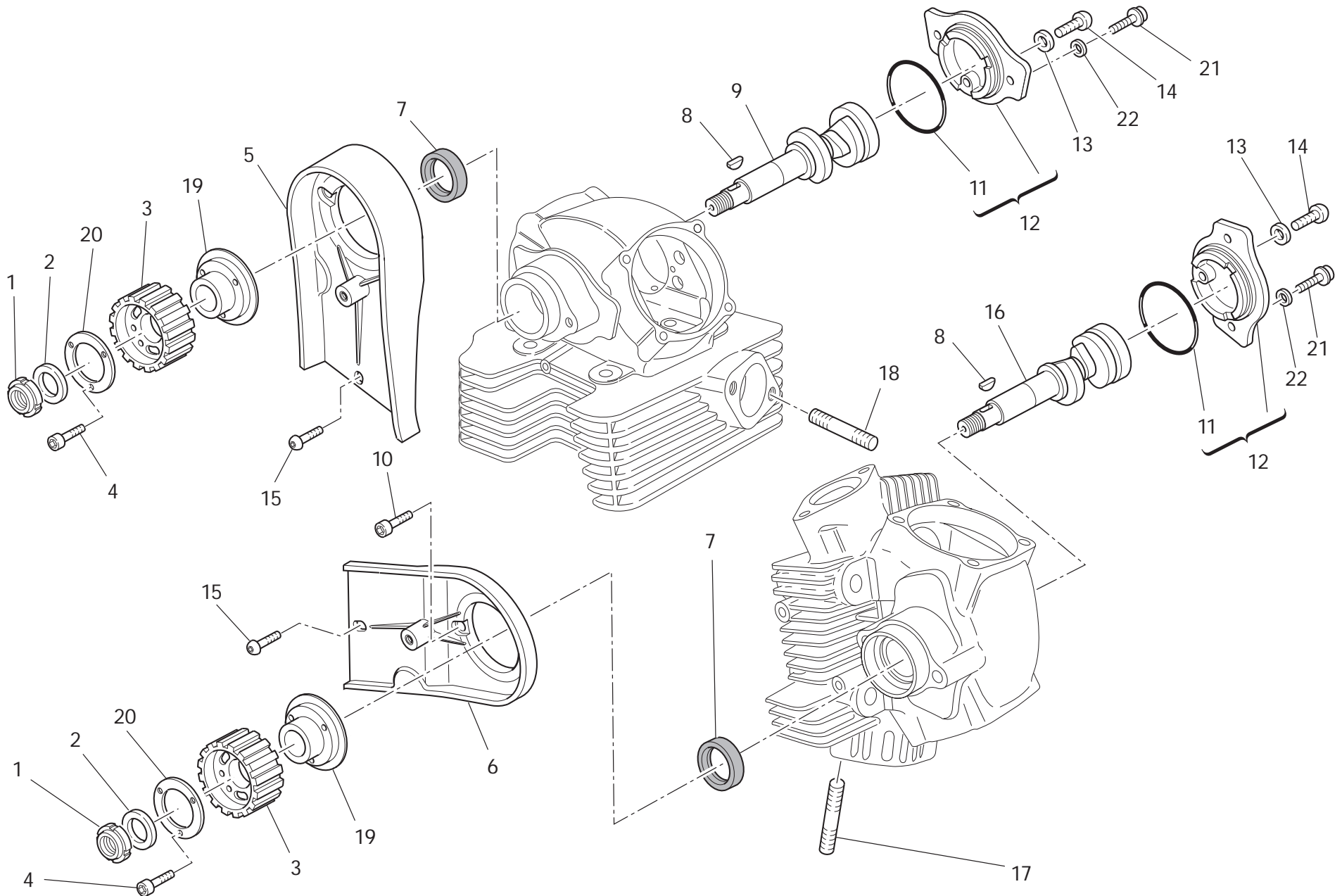
CATALOGUE No: 915.1.296.1D
ISSUED: 07 - 10

CATALOGUE No: 915.1.296.1D
ISSUED: 07 - 10

696 ABS


DRAWING **013**

Cylinder head : timing system



696 ABS

DRAWING **013** Cylinder head : timing system

| NOTES NO. | CODE NO. | DESCRIPTION | VALIDITY | Q.TY  |
|-----------|---------------|-----------------------------|----------|--|
| 1 | 703.5.006.2A | Elastic-stop ring nut | | 2 |
| 2 | 852.1.173.1A | Washer | | 2 |
| 3 | 255.1.024.3A | Timing belt roller | | 2 |
| 4 | 779.5.030.2A | Screw | | 6 |
| 5 | 245.1.081.2A | Vertical belt inner cover | | 1 |
| 6 | 245.1.082.2A | Horizontal belt inner cover | | 1 |
| 7 | 930.4.061.1A | Seal ring | | 2 |
| 8 | 680.1.013.1A | Woodruff key | | 2 |
| 9 | 148.1.319.1A | Vertical head camshaft | | 1 |
| 10 | 771.1.049.1A | Screw | | 4 |
| 11 | 886.4.060.2A | O-ring | | 2 |
| 12 | 235.2.040.1AC | Side cap | | 2 |
| 13 | 852.1.197.1A | Aluminium gasket | | 2 |
| 14 | 775.1.036.1A | Screw | | 2 |
| 15 | 775.5.021.1A | Screw | | 2 |
| 16 | 148.1.318.1A | Horizontal head camshaft | | 1 |
| 17 | 766.4.017.2A | Stud bolt | | 4 |
| 18 | 766.4.018.1A | Stud bolt | | 4 |
| 19 | 160.1.105.1A | Flange | | 2 |
| 20 | 856.1.074.2A | Special washer | | 2 |
| 21 | 771.1.386.1A | Screw | | 4 |
| 22 | 852.1.246.1A | Washer | | 4 |

| NOTES NO. | CODE NO. | DESCRIPTION | VALIDITY | Q.TY  |
|-----------|----------|-------------|----------|--|
|-----------|----------|-------------|----------|--|

CATALOGUE No: 915.1.296.1D
ISSUED: 07 - 10

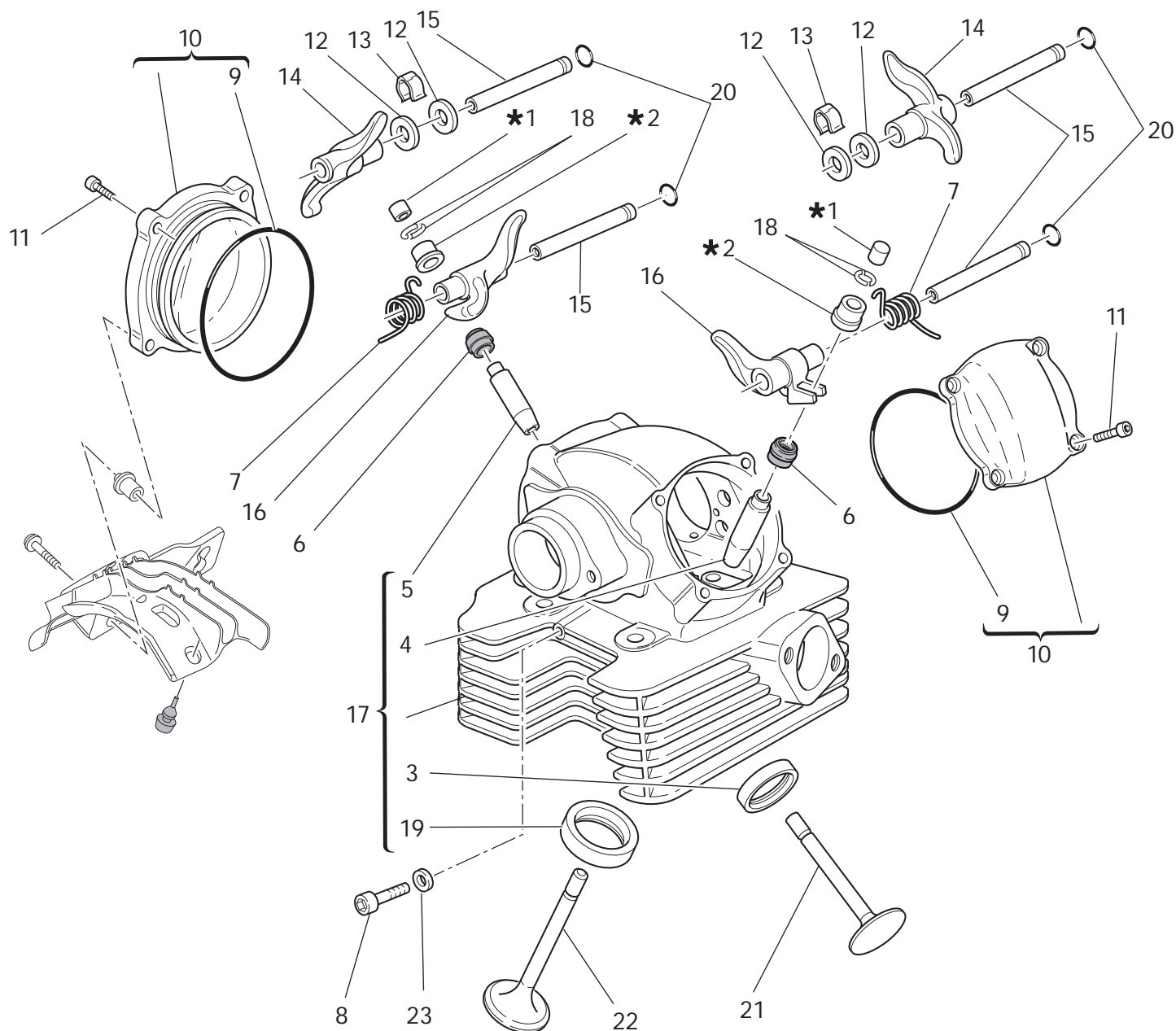
CATALOGUE No: 915.1.296.1D
ISSUED: 07 - 10

696 ABS

DRAWING **014**


Vertical cylinder head


| 1 | 2 |
|---------------------------|---------------------------|
| Registro bilanc. apertura | Registro bilanc. chiusura |
| Adjustment | Adjustment |
| Réglage | Réglage |
| Ventilkäppchen | Ventilkäppchen |
| 840.1.031.1A - 1,8 | 840.1.041.2B - 2,2 |
| 840.1.032.1A - 1,85 | 840.1.042.2B - 2,25 |
| 840.1.033.1A - 1,9 | 840.1.043.2B - 2,3 |
| 840.1.034.1A - 1,95 | 840.1.044.2B - 2,35 |
| 840.1.001.1A - 2,0 | 840.1.045.2B - 2,4 |
| 840.1.002.1A - 2,05 | 840.1.046.2B - 2,45 |
| 840.1.003.1A - 2,1 | 840.1.047.2B - 2,5 |
| 840.1.004.1A - 2,15 | 840.1.048.2B - 2,55 |
| 840.1.005.1A - 2,2 | 840.1.050.2B - 2,65 |
| 840.1.006.1A - 2,25 | 840.1.051.2B - 2,7 |
| 840.1.007.1A - 2,3 | 840.1.052.2B - 2,75 |
| 840.1.008.1A - 2,35 | 840.1.053.2B - 2,8 |
| 840.1.009.1A - 2,4 | 840.1.054.2B - 2,85 |
| 840.1.010.1A - 2,45 | 840.1.055.2B - 2,9 |
| 840.1.011.1A - 2,5 | 840.1.056.2B - 2,95 |
| 840.1.012.1A - 2,55 | 840.1.057.2B - 3,0 |
| 840.1.013.1A - 2,6 | 840.1.058.2B - 3,05 |
| 840.1.014.1A - 2,65 | 840.1.059.2B - 3,1 |
| 840.1.015.1A - 2,7 | 840.1.060.2B - 3,15 |
| 840.1.016.1A - 2,75 | 840.1.061.2B - 3,2 |
| 840.1.017.1A - 2,8 | 840.1.062.2B - 3,25 |
| 840.1.018.1A - 2,85 | 840.1.063.2B - 3,3 |
| 840.1.019.1A - 2,9 | 840.1.064.2B - 3,35 |
| 840.1.020.1A - 2,95 | 840.1.065.2B - 3,4 |
| 840.1.021.1A - 3,0 | 840.1.066.2B - 3,45 |
| 840.1.022.1A - 3,05 | 840.1.067.2B - 3,5 |
| 840.1.023.1A - 3,1 | 840.1.068.2B - 3,55 |
| 840.1.024.1A - 3,15 | 840.1.069.2B - 3,6 |
| 840.1.025.1A - 3,2 | 840.1.070.2B - 3,65 |
| 840.1.026.1A - 3,25 | 840.1.071.2B - 3,7 |
| 840.1.027.1A - 3,3 | 840.1.072.2B - 3,75 |
| 840.1.028.1A - 3,35 | 840.1.073.2B - 3,8 |
| 840.1.029.1A - 3,4 | 840.1.074.2B - 3,85 |
| 840.1.030.1A - 3,45 | 840.1.075.2B - 3,9 |
| | 840.1.076.2B - 3,95 |
| | 840.1.077.2B - 4,0 |
| | 840.1.078.2B - 4,05 |
| | 840.1.079.2B - 4,1 |
| | 840.1.080.2B - 4,15 |
| | 840.1.081.2B - 4,2 |
| | 840.1.082.2B - 4,25 |
| | 840.1.083.2B - 4,3 |
| | 840.1.084.2B - 4,35 |
| | 840.1.085.2B - 4,4 |
| | 840.1.086.2B - 4,45 |
| | 840.1.087.2B - 4,5 |



696 ABS

DRAWING **014** Vertical cylinder head

| NOTES NO. | CODE NO. | DESCRIPTION | VALIDITY | Q.TY  |
|-----------|---------------|----------------------------------|----------|--|
| 1 | | See table | | 2 |
| 2 | | See table | | 2 |
| 3 | 304.1.091.1A | Exhaust valve seat | | 1 |
| 3 | 304.1.091.1AB | Oversize exhaust valve seat 0.03 | | 1 |
| 3 | 304.1.091.1AC | Oversize exhaust valve seat 0.06 | | 1 |
| 4 | 303.1.041.1CA | Intake valve guide magg. 0,03 | | 1 |
| 4 | 303.1.041.1CB | Intake valve guide magg. 0,06 | | 1 |
| 4 | 303.1.041.1CC | Intake valve guide magg. 0,09 | | 1 |
| 5 | 303.1.066.1AA | Exhaust valve guide magg. 0,03 | | 1 |
| 5 | 303.1.066.1AB | Exhaust valve guide magg. 0,06 | | 1 |
| 5 | 303.1.066.1AC | Exhaust valve guide magg. 0,09 | | 1 |
| 6 | 764.1.087.1A | Valve seal | | 2 |
| 7 | 799.1.260.1A | Closing rocker spring | | 2 |
| 8 | 779.1.133.1A | Screw | | 1 |
| 9 | 886.4.138.1A | O-ring | | 2 |
| 10 | 240.2.039.2A | Valve cover | | 2 |
| 11 | 771.5.066.8B | Screw | | 8 |
| 12 | 0647.70.010 | Shim | | 4 |
| 13 | 799.1.212.1A | Spring | | 2 |
| 14 | 208.Z.001.1A | Opening rocker | | 2 |
| 15 | 821.Z.001.1B | Rocker shaft | | 4 |
| 16 | 209.Z.001.1A | Closing rocker | | 2 |
| 17 | 301.2.287.1BA | Complete vertical head | | 1 |
| 18 | 669.1.001.1E | Split rings | | 4 |
| 19 | 304.1.090.1A | Intake valve seat | | 1 |
| 19 | 304.1.090.1AB | Oversize intake valve seat 0.03 | | 1 |
| 19 | 304.1.090.1AC | Oversize intake valve seat 0.06 | | 1 |

| NOTES NO. | CODE NO. | DESCRIPTION | VALIDITY | Q.TY  |
|-----------|--------------|---------------|----------|--|
| 20 | 886.4.140.1A | O-ring | | 4 |
| 21 | 211.1.075.2B | Exhaust valve | | 1 |
| 22 | 210.1.075.2B | Intake valve | | 1 |
| 23 | 852.5.023.1A | Gasket | | 1 |

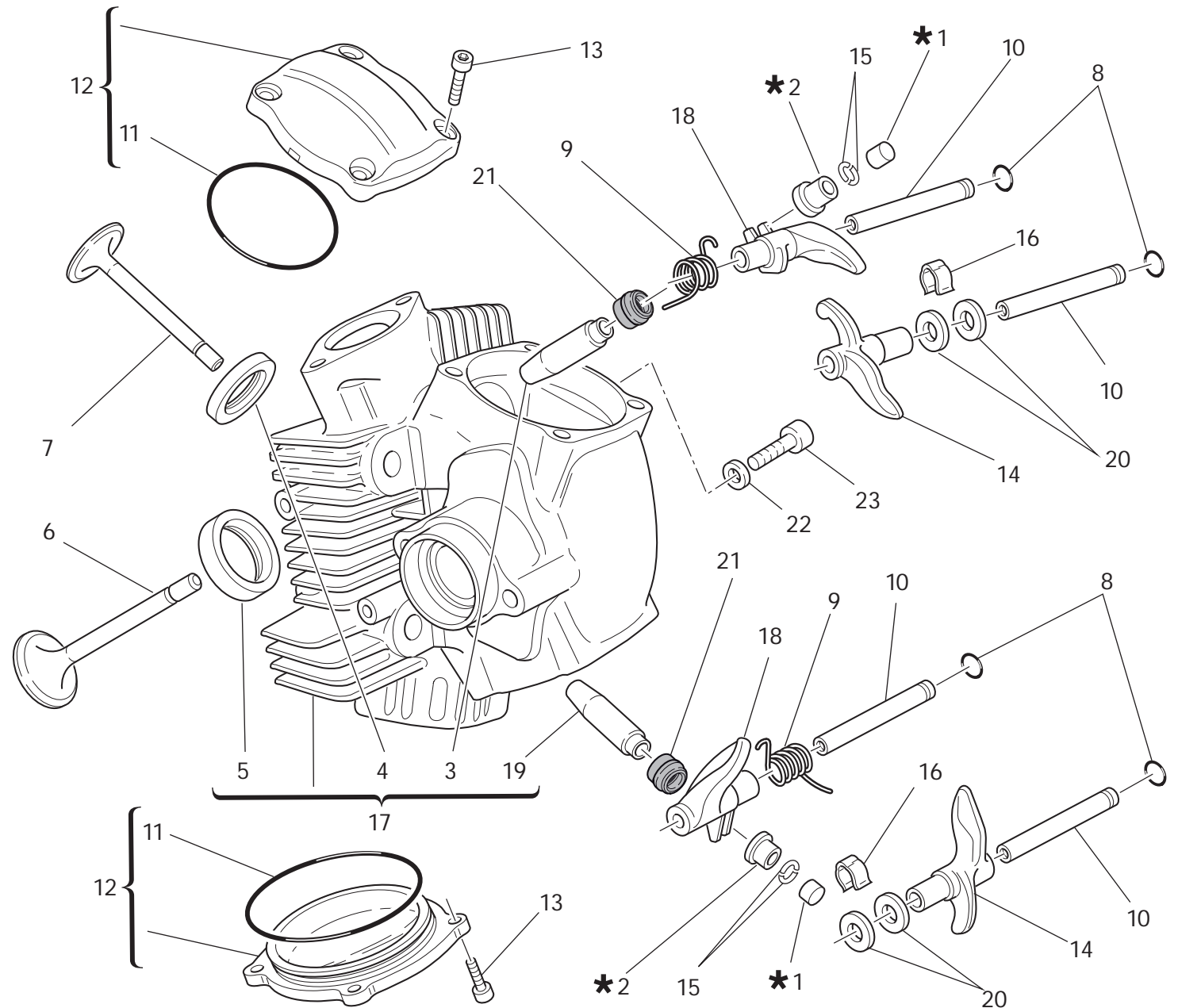
CATALOGUE No: 915.1.296.1D
ISSUED: 07 - 10

CATALOGUE No: 915.1.296.1D
ISSUED: 07 - 10

696 ABS

DRAWING **015** Horizontal cylinder head


| 1 | 2 |
|---------------------------|---------------------------|
| Registro bilanc. apertura | Registro bilanc. chiusura |
| Adjustment | Adjustment |
| Réglage | Réglage |
| Ventilkäppchen | Ventilkäppchen |
| 840.1.031.1A - 1,8 | 840.1.041.2B - 2,2 |
| 840.1.032.1A - 1,85 | 840.1.042.2B - 2,25 |
| 840.1.033.1A - 1,9 | 840.1.043.2B - 2,3 |
| 840.1.034.1A - 1,95 | 840.1.044.2B - 2,35 |
| 840.1.001.1A - 2,0 | 840.1.045.2B - 2,4 |
| 840.1.002.1A - 2,05 | 840.1.046.2B - 2,45 |
| 840.1.003.1A - 2,1 | 840.1.047.2B - 2,5 |
| 840.1.004.1A - 2,15 | 840.1.048.2B - 2,55 |
| 840.1.005.1A - 2,2 | 840.1.049.2B - 2,6 |
| 840.1.006.1A - 2,25 | 840.1.051.2B - 2,7 |
| 840.1.007.1A - 2,3 | 840.1.052.2B - 2,75 |
| 840.1.008.1A - 2,35 | 840.1.053.2B - 2,8 |
| 840.1.009.1A - 2,4 | 840.1.054.2B - 2,85 |
| 840.1.010.1A - 2,45 | 840.1.055.2B - 2,9 |
| 840.1.011.1A - 2,5 | 840.1.056.2B - 2,95 |
| 840.1.012.1A - 2,55 | 840.1.057.2B - 3,0 |
| 840.1.013.1A - 2,6 | 840.1.058.2B - 3,05 |
| 840.1.014.1A - 2,65 | 840.1.059.2B - 3,1 |
| 840.1.015.1A - 2,7 | 840.1.060.2B - 3,15 |
| 840.1.016.1A - 2,75 | 840.1.061.2B - 3,2 |
| 840.1.017.1A - 2,8 | 840.1.062.2B - 3,25 |
| 840.1.018.1A - 2,85 | 840.1.063.2B - 3,3 |
| 840.1.019.1A - 2,9 | 840.1.064.2B - 3,35 |
| 840.1.020.1A - 2,95 | 840.1.065.2B - 3,4 |
| 840.1.021.1A - 3,0 | 840.1.066.2B - 3,45 |
| 840.1.022.1A - 3,05 | 840.1.067.2B - 3,5 |
| 840.1.023.1A - 3,1 | 840.1.068.2B - 3,55 |
| 840.1.024.1A - 3,15 | 840.1.069.2B - 3,6 |
| 840.1.025.1A - 3,2 | 840.1.070.2B - 3,65 |
| 840.1.026.1A - 3,25 | 840.1.071.2B - 3,7 |
| 840.1.027.1A - 3,3 | 840.1.072.2B - 3,75 |
| 840.1.028.1A - 3,35 | 840.1.073.2B - 3,8 |
| 840.1.029.1A - 3,4 | 840.1.074.2B - 3,85 |
| 840.1.030.1A - 3,45 | 840.1.075.2B - 3,9 |
| | 840.1.076.2B - 3,95 |
| | 840.1.077.2B - 4,0 |
| | 840.1.078.2B - 4,05 |
| | 840.1.079.2B - 4,1 |
| | 840.1.080.2B - 4,15 |
| | 840.1.081.2B - 4,2 |
| | 840.1.082.2B - 4,25 |
| | 840.1.083.2B - 4,3 |
| | 840.1.084.2B - 4,35 |
| | 840.1.085.2B - 4,4 |
| | 840.1.086.2B - 4,45 |
| | 840.1.087.2B - 4,5 |



696 ABS

DRAWING **015** Horizontal cylinder head

| NOTES NO. | CODE NO. | DESCRIPTION | VALIDITY | Q.TY  |
|-----------|---------------|----------------------------------|----------|--|
| 1 | | See table | | 2 |
| 2 | | See table | | 2 |
| 3 | 303.1.041.1CA | Intake valve guide magg. 0,03 | | 1 |
| 3 | 303.1.041.1CB | Intake valve guide magg. 0,06 | | 1 |
| 3 | 303.1.041.1CC | Intake valve guide magg. 0,09 | | 1 |
| 4 | 304.1.091.1A | Exhaust valve seat | | 1 |
| 4 | 304.1.091.1AB | Oversize exhaust valve seat 0.03 | | 1 |
| 4 | 304.1.091.1AC | Oversize exhaust valve seat 0.06 | | 1 |
| 5 | 304.1.090.1A | Intake valve seat | | 1 |
| 5 | 304.1.090.1AB | Oversize intake valve seat 0.03 | | 1 |
| 5 | 304.1.090.1AC | Oversize intake valve seat 0.06 | | 1 |
| 6 | 210.1.075.2B | Intake valve | | 1 |
| 7 | 211.1.075.2B | Exhaust valve | | 1 |
| 8 | 886.4.140.1A | O-ring | | 4 |
| 9 | 799.1.260.1A | Closing rocker spring | | 2 |
| 10 | 821.Z.001.1B | Rocker shaft | | 4 |
| 11 | 886.4.138.1A | O-ring | | 2 |
| 12 | 240.2.039.2A | Valve cover | | 2 |
| 13 | 771.5.066.8B | Screw | | 8 |
| 14 | 208.Z.001.1A | Opening rocker | | 2 |
| 15 | 669.1.001.1E | Split rings | | 4 |
| 16 | 799.1.212.1A | Spring | | 2 |
| 17 | 301.2.288.1BA | Complete horizontal head | | 1 |
| 18 | 209.Z.001.1A | Closing rocker | | 2 |
| 19 | 303.1.066.1AA | Exhaust valve guide magg. 0,03 | | 1 |
| 19 | 303.1.066.1AB | Exhaust valve guide magg. 0,06 | | 1 |
| 19 | 303.1.066.1AC | Exhaust valve guide magg. 0,09 | | 1 |

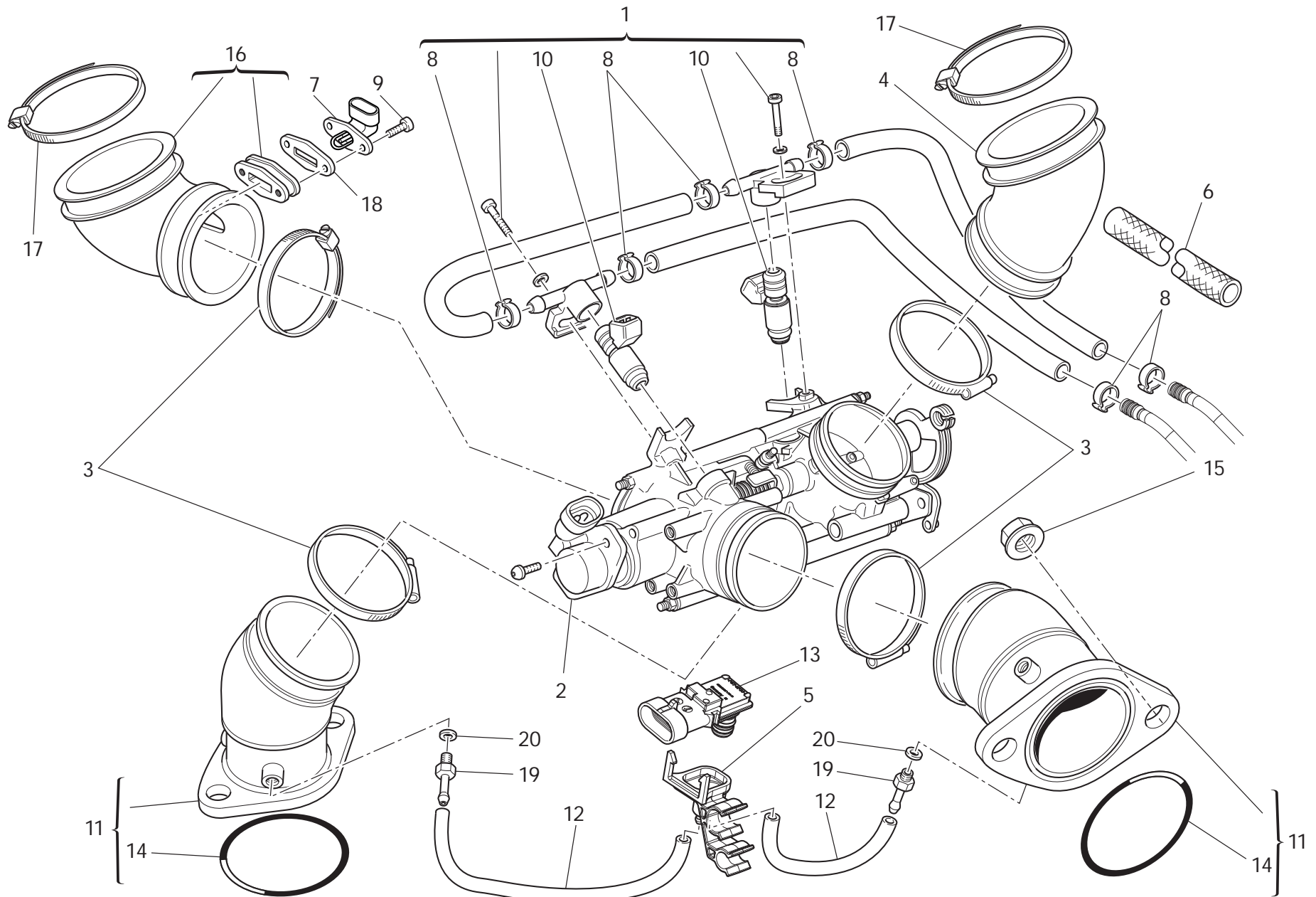
| NOTES NO. | CODE NO. | DESCRIPTION | VALIDITY | Q.TY  |
|-----------|--------------|-------------|----------|--|
| 20 | 0647.70.010 | Shim | | 4 |
| 21 | 764.1.087.1A | Valve seal | | 2 |
| 22 | 852.5.023.1A | Gasket | | 1 |
| 23 | 779.1.133.1A | Screw | | 1 |

CATALOGUE No: 915.1.296.1D
ISSUED: 07 - 10

CATALOGUE No: 915.1.296.1D
ISSUED: 07 - 10


696 ABS

DRAWING **016** Intake manifolds



696 ABS

DRAWING **016** Intake manifolds

| NOTES NO. | CODE NO. | DESCRIPTION | VALIDITY | Q.TY  |
|-----------|--------------|------------------------|----------|--|
| 1 | 282.4.084.2A | Feed unit assembly | | 1 |
| 2 | 284.4.008.1A | Potentiometer | | 1 |
| 3 | 741.4.180.1A | Clamp | | 4 |
| 4 | 801.1.027.1A | Hose | | 1 |
| 5 | 814.1.303.1A | Holder sensor | | 1 |
| 6 | 460.1.338.1A | Protection sheath | | 1 |
| 7 | 552.4.012.1A | Air temperature sensor | | 1 |
| 8 | 287.4.024.1B | Clamp | | 6 |
| 9 | 773.5.006.8B | Screw | | 2 |
| 10 | 280.4.023.1A | Injector | | 2 |
| 11 | 140.2.063.2A | Intake manifold | | 2 |
| 12 | 590.1.328.1A | Tube | | 2 |
| 13 | 552.4.144.1A | Pressure sensor | | 1 |
| 14 | 463.2.022.2A | O-Ring | | 4 |
| 15 | 748.1.039.1A | Nut | | 4 |
| 16 | 801.1.031.1A | Hose | | 1 |
| 17 | 741.4.067.1A | Hose guide | | 2 |
| 18 | 788.1.104.1A | Gasket | | 1 |
| 19 | 814.1.323.1A | Union | | 2 |
| 20 | 0250.70.223 | Aluminium gasket | | 2 |

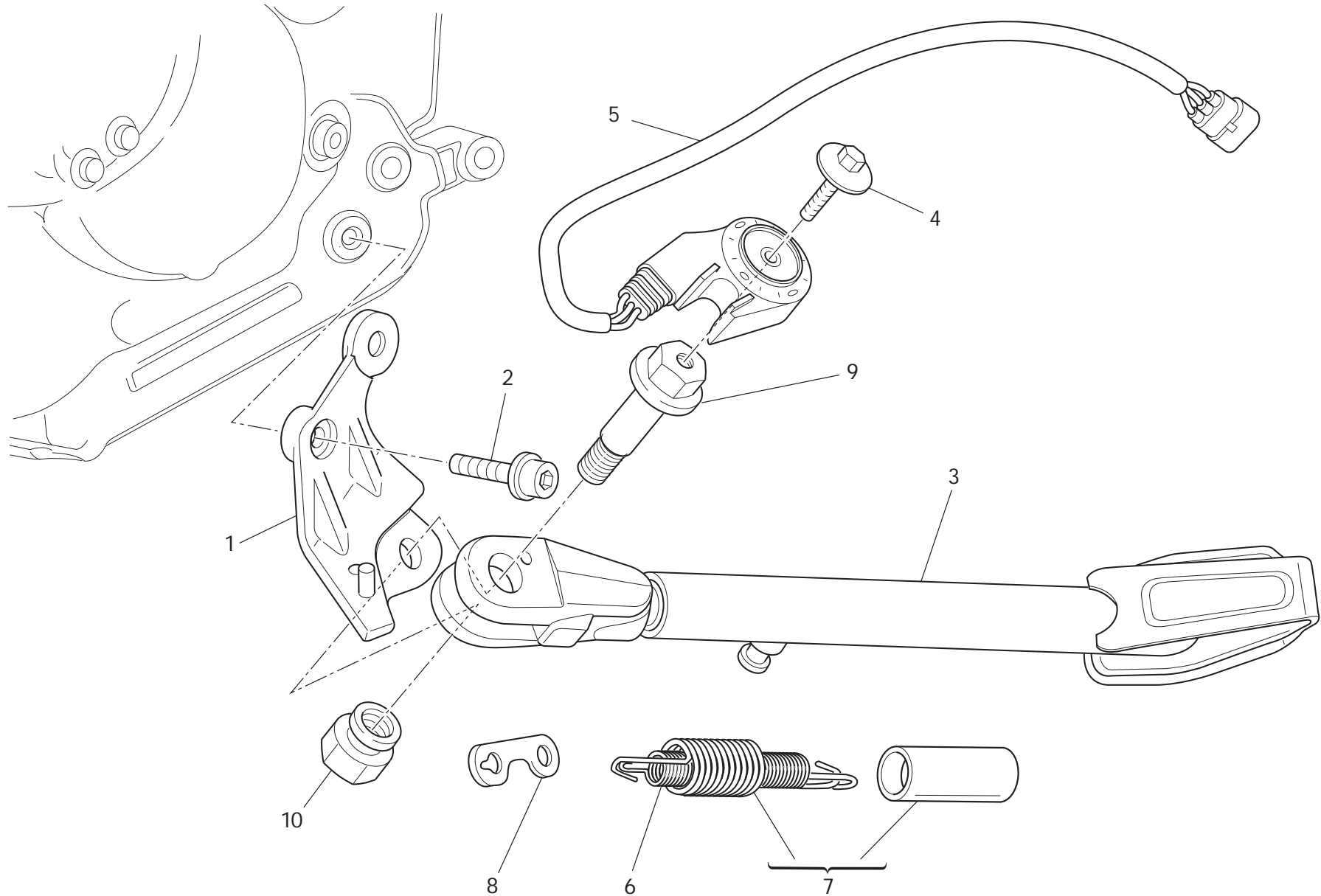
| NOTES NO. | CODE NO. | DESCRIPTION | VALIDITY | Q.TY  |
|-----------|----------|-------------|----------|--|
|-----------|----------|-------------|----------|--|

CATALOGUE No: 915.1.296.1D
ISSUED: 07 - 10

CATALOGUE No: 915.1.296.1D
ISSUED: 07 - 10


696 ABS

DRAWING 017 Stands



696 ABS

DRAWING **017** Stands

| NOTES NO. | CODE NO. | DESCRIPTION | VALIDITY | Q.TY  |
|-----------|--------------|--------------|----------|--|
| 1 | 556.2.051.1A | Plate | | 1 |
| 2 | 771.1.048.1A | Screw | | 1 |
| 3 | 556.1.048.1A | Side stand | | 1 |
| 4 | 779.4.005.3A | Screw | | 1 |
| 5 | 539.1.023.4B | Stand switch | | 1 |
| 6 | 799.1.089.1C | Inner spring | | 1 |
| 7 | 799.2.088.1C | Outer spring | | 1 |
| 8 | 827.1.139.2B | Plate | | 1 |
| 9 | 556.1.018.1D | Pivot | | 1 |
| 10 | 749.4.145.8C | Nut | | 1 |

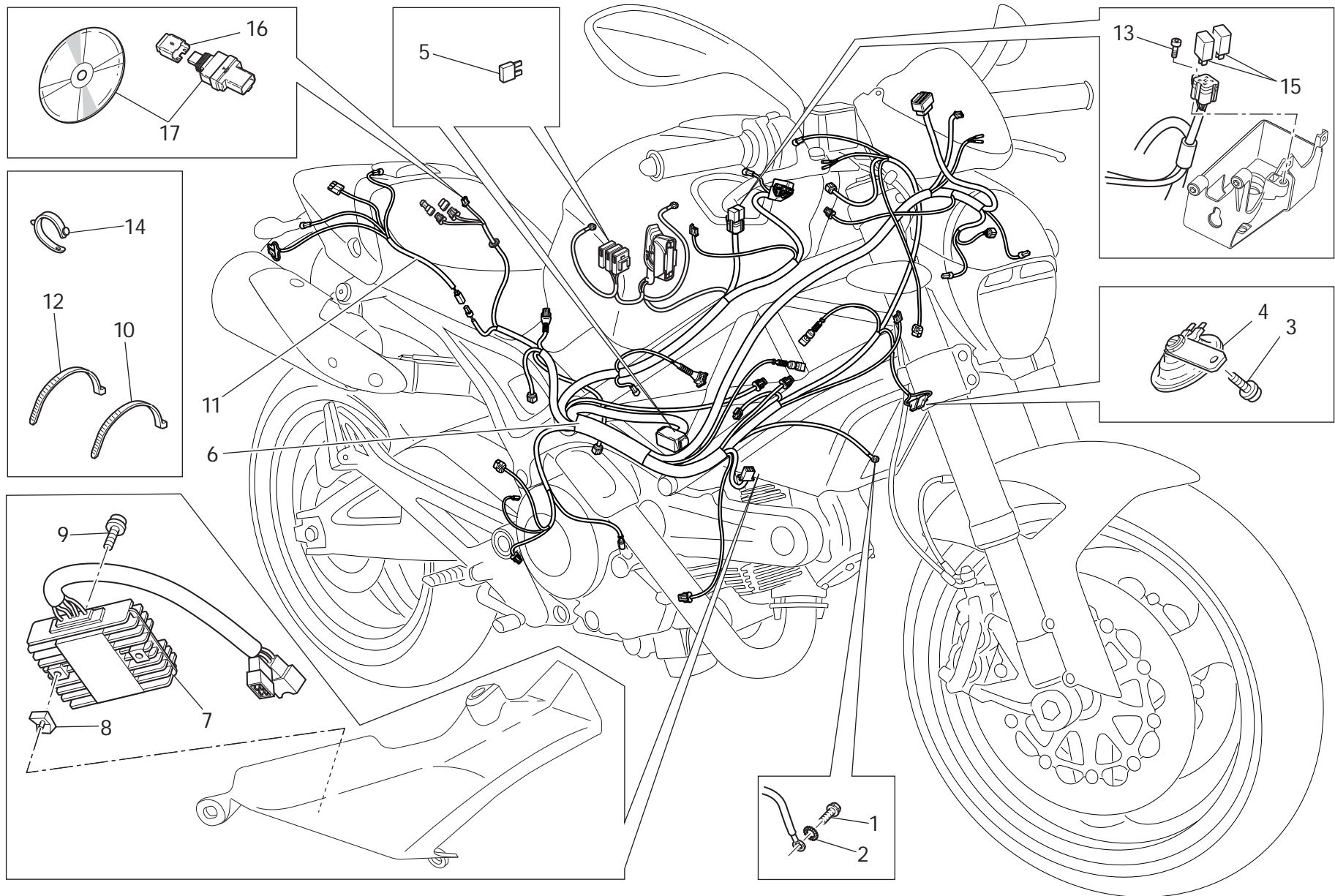
| NOTES NO. | CODE NO. | DESCRIPTION | VALIDITY | Q.TY  |
|-----------|----------|-------------|----------|--|
|-----------|----------|-------------|----------|--|

CATALOGUE No: 915.1.296.1D
ISSUED: 07 - 10

CATALOGUE No: 915.1.296.1D
ISSUED: 07 - 10


696 ABS

DRAWING 018 Electrical system



696 ABS

DRAWING **018** Electrical system

| NOTES NO. | CODE NO. | DESCRIPTION | VALIDITY | Q.TY  |
|-----------|--------------|----------------------|----------|--|
| 1 | 772.1.106.1A | Screw | | 1 |
| 2 | 855.5.000.1B | Spring washer | | 1 |
| 3 | 771.5.663.8B | Screw | | 1 |
| 4 | 516.4.004.2B | Horn | | 1 |
| 5 | 389.4.019.1A | Fuse 5A | | 1 |
| 5 | 389.4.020.1A | Fuse 10A | | 1 |
| 5 | 389.4.021.1A | Fuse 15A | | 1 |
| 5 | 389.4.022.1A | Fuse 20A | | 1 |
| 5 | 389.4.023.1A | Fuse 30A | | 1 |
| 5 | 389.4.024.1A | Fuse 7.5A | | 1 |
| 6 | 510.1.698.1B | Electric wiring | | 1 |
| 7 | 540.4.011.1C | Voltage rectifier | | 1 |
| 8 | 850.4.038.1A | Nut with clip | | 2 |
| 9 | 771.5.667.8B | Screw | | 2 |
| 10 | 0691.91.030 | Hose guide | | 9 |
| 11 | 510.1.639.1B | Rear wiring | | 1 |
| 12 | 741.4.038.1A | Hose guide | | 15 |
| 13 | 773.5.038.8B | Screw | | 1 |
| 14 | 741.1.010.1A | Hose guide | | 1 |
| 15 | 541.4.010.1A | Relay | | 2 |
| 16 | 872.1.053.1A | Cap (DDA) | | 1 |
| 17 | 286.2.040.1A | Data acquisition kit | | 1 |

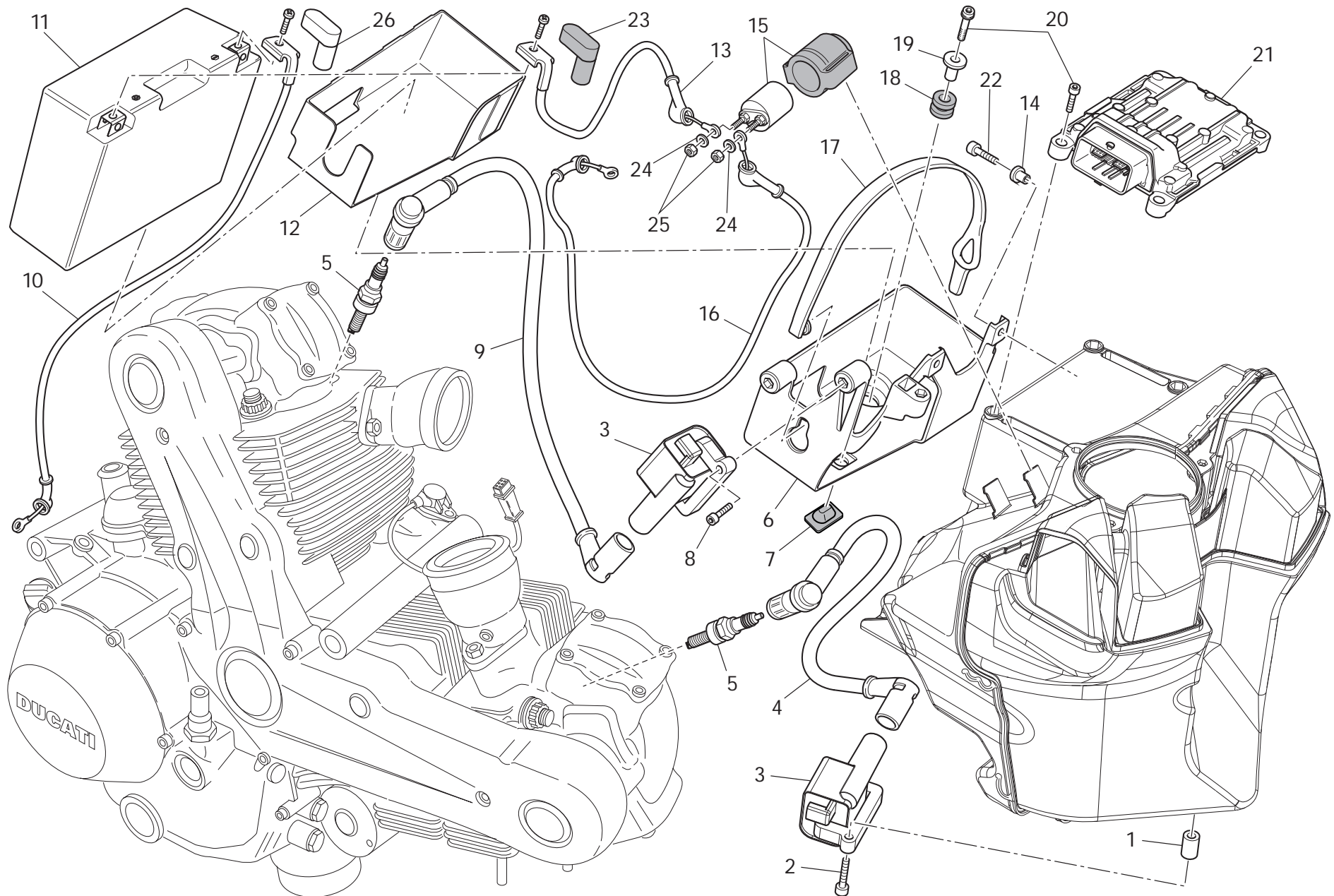
| NOTES NO. | CODE NO. | DESCRIPTION | VALIDITY | Q.TY  |
|-----------|----------|-------------|----------|--|
|-----------|----------|-------------|----------|--|

CATALOGUE No: 915.1.296.1D
ISSUED: 07 - 10

CATALOGUE No: 915.1.296.1D
ISSUED: 07 - 10


696 ABS

DRAWING **019** Battery support



696 ABS

DRAWING **019** Battery support

| NOTES NO. | CODE NO. | DESCRIPTION | VALIDITY | Q.TY  |
|-----------|--------------|--|----------|--|
| 1 | 711.1.264.1A | Bush | | 2 |
| 2 | 771.5.048.8B | Screw | | 2 |
| 3 | 380.1.015.1A | Coil | | 2 |
| 4 | 671.1.031.2B | Spark plug cable (L.H.) (horizontal) | | 1 |
| 5 | 670.4.035.1A | Spark plug | | 2 |
| 6 | 829.1.964.1B | Battery box mount | | 1 |
| 7 | 866.1.030.1A | Rubber pad | | 1 |
| 8 | 771.5.042.8B | Screw | | 2 |
| 9 | 671.1.028.2B | Spark plug cable (L.H.) (vertical) | | 1 |
| 10 | 513.1.022.1A | Battery - engine grounding cable | | 1 |
| 11 | 395.2.013.1C | Battery | | 1 |
| 12 | 866.1.098.1A | Battery carpet | | 1 |
| 13 | 514.1.064.1A | Battery - solenoid starter cable | | 1 |
| 14 | 716.1.152.1A | Spacer | | 2 |
| 15 | 397.4.003.1B | Remote switch | | 1 |
| 16 | 514.1.058.1A | Solenoid starter - starter motor cable | | 1 |
| 17 | 759.1.023.1A | Rubber | | 1 |
| 18 | 764.1.090.1A | Rubber pad | | 1 |
| 19 | 716.1.022.1B | Spacer | | 1 |
| 20 | 771.5.667.8B | Screw | | 5 |
| USA 21 | 286.4.179.1C | Injection control unit | | 1 |
| CDN 21 | 286.4.179.1D | Injection control unit | | 1 |
| 22 | 773.5.038.8B | Screw | | 2 |
| 23 | 672.1.023.1A | Terminal cap | | 1 |
| 24 | 853.5.010.1A | Spring washer | | 2 |
| 25 | 750.5.005.1A | Nut | | 2 |
| 26 | 672.1.024.1A | Terminal cap | | 1 |

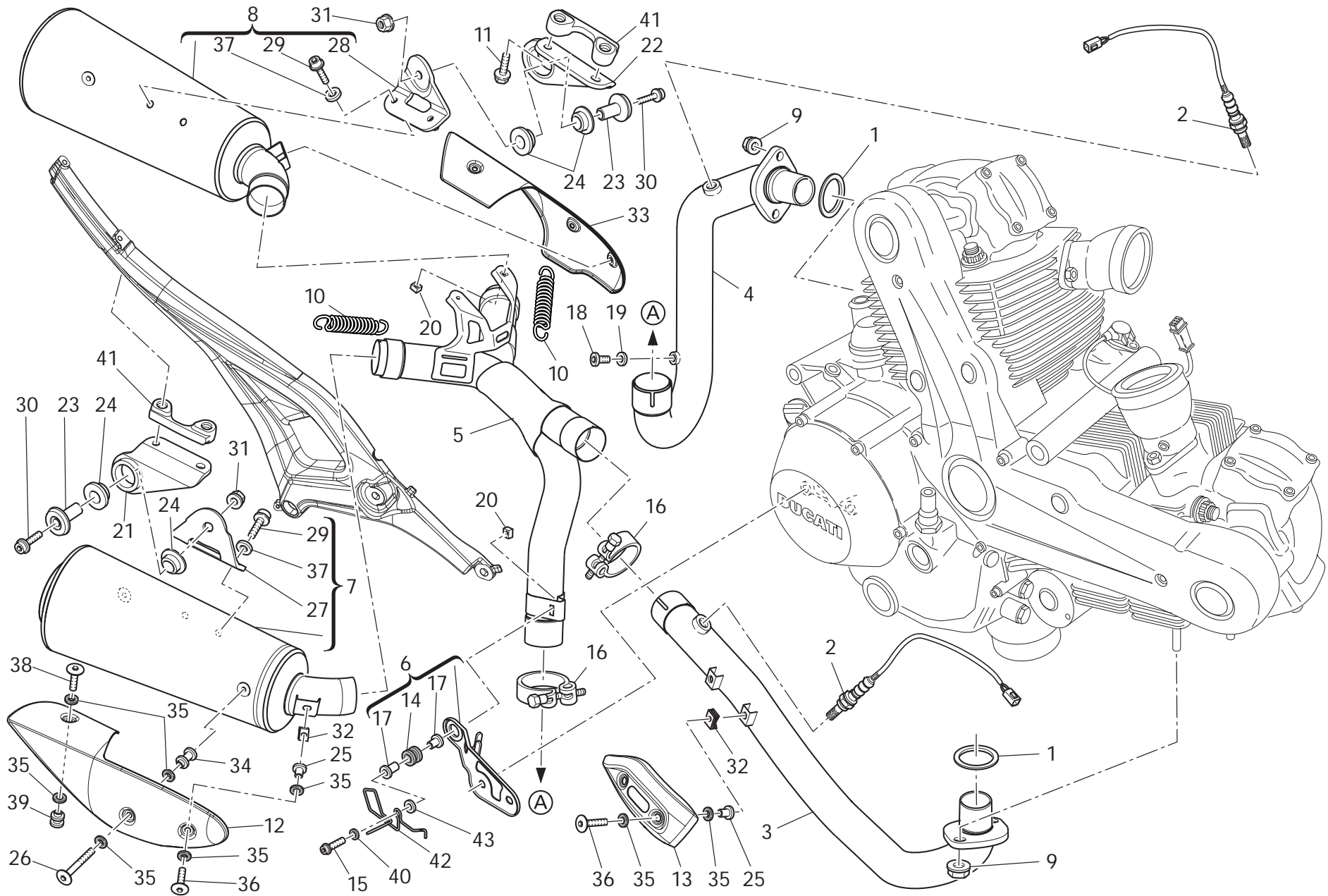
| NOTES NO. | CODE NO. | DESCRIPTION | VALIDITY | Q.TY  |
|-----------|----------|-------------|----------|--|
|-----------|----------|-------------|----------|--|

CATALOGUE No: 915.1.296.1D
ISSUED: 07 - 10

CATALOGUE No: 915.1.296.1D
ISSUED: 07 - 10

696 ABS

DRAWING **020** Exhaust system




696 ABS

DRAWING **020** Exhaust system

| NOTES NO. | CODE NO. | DESCRIPTION | VALIDITY | Q.TY  |
|-----------|--------------|------------------------------|----------|--|
| 1 | 0370.84.005 | Exhaust gasket | | 2 |
| 2 | 552.1.149.1A | Lambda sensor | | 2 |
| 3 | 570.1.279.2A | Horizontal head exhaust pipe | | 1 |
| 4 | 571.1.269.3A | Vertical head exhaust pipe | | 1 |
| 5 | 572.1.149.1A | Centre exhaust pipe | | 1 |
| 6 | 830.2.482.1C | Bracket (bottom) | | 1 |
| 7 | 573.1.309.1A | Silencer (R.H.) | | 1 |
| 8 | 574.1.306.1A | Silencer (L.H.) | | 1 |
| 9 | 748.4.033.1A | Nut | | 4 |
| 10 | 799.1.048.5A | Exhaust spring (long) | | 2 |
| 11 | 771.5.671.8B | Screw | | 4 |
| 12 | 460.1.409.1A | Heat guard (long) (R.H.) | | 1 |
| 13 | 460.1.324.2B | Heat guard (horizontal) | | 1 |
| 14 | 764.1.126.1A | Vibration damper pad | | 1 |
| 15 | 773.5.072.8B | Screw | | 1 |
| 16 | 741.4.137.1A | Spring clamp | | 2 |
| 17 | 716.1.416.1A | Spacer | | 2 |
| 18 | 780.1.007.1A | Cap | | 2 |
| 19 | 852.5.024.1A | Gasket th.1 | | 2 |
| 20 | 746.4.008.1A | Special nut | | 2 |
| 21 | 827.1.608.1A | Bracket (R.H.) | | 1 |
| 22 | 827.1.607.1A | Bracket (L.H.) | | 1 |
| 23 | 713.1.436.1A | Bush | | 2 |
| 24 | 764.1.001.1A | Rubber pad | | 4 |
| 25 | 716.1.107.1A | Spacer | | 4 |
| 26 | 772.1.101.1B | Screw | | 2 |
| 27 | 576.1.066.1A | Bracket (R.H.) | | 1 |

CATALOGUE No: 915.1.296.1D
ISSUED: 07 - 10

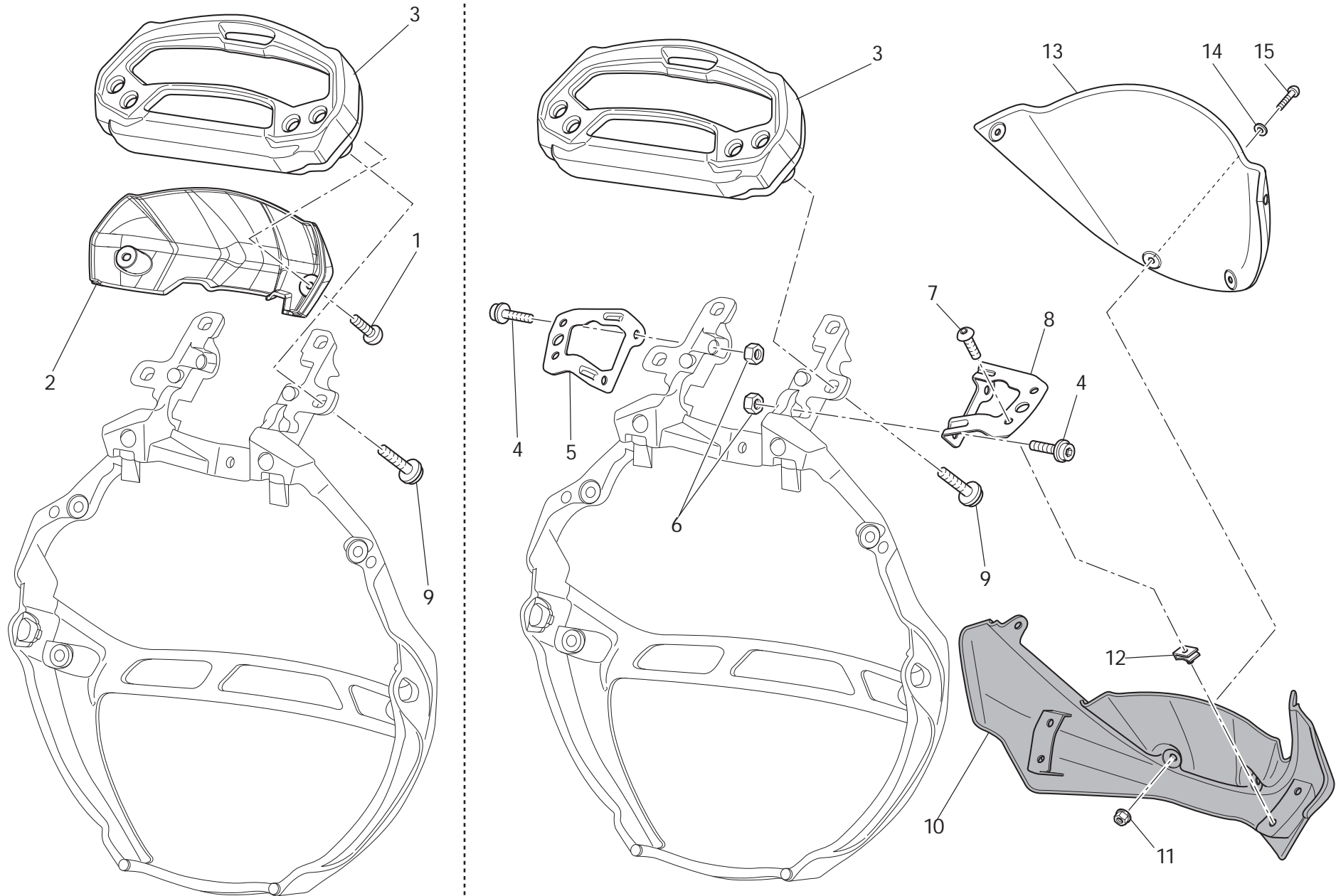
| NOTES NO. | CODE NO. | DESCRIPTION | VALIDITY | Q.TY  |
|-----------|--------------|--------------------------|----------|--|
| 28 | 576.1.065.1A | Bracket (L.H.) | | 1 |
| 29 | 771.5.723.9E | Screw | | 4 |
| 30 | 773.5.506.8B | Screw | | 2 |
| 31 | 749.4.112.8B | Nut | | 2 |
| 32 | 850.4.038.1A | Nut with clip | | 4 |
| 33 | 460.1.410.1A | Heat guard (long) (L.H.) | | 1 |
| 34 | 716.1.424.1A | Spacer | | 2 |
| 35 | 852.1.072.1A | Washer | | 16 |
| 36 | 772.1.089.3B | Screw | | 4 |
| 37 | 852.5.004.1C | Washer | | 4 |
| 38 | 772.1.097.1B | Screw | | 2 |
| 39 | 716.1.423.1A | Spacer | | 2 |
| 40 | 852.5.028.1A | Washer | | 1 |
| 41 | 806.1.028.1A | Spacer | | 2 |
| 42 | 758.1.063.1A | Fairlead | | 1 |
| 43 | 852.1.177.1A | Washer | | 1 |

CATALOGUE No: 915.1.296.1D
ISSUED: 07 - 10

696 ABS


DRAWING **021**

Instrument panel - headlight fairing



696 ABS

DRAWING **021** Instrument panel - headlight fairing

| NOTES NO. | CODE NO. | DESCRIPTION | VALIDITY | Q.TY  |
|-----------|---------------|---------------------------------------|----------|--|
| 1 | 775.5.001.3C | Screw (696) | | 2 |
| 2 | 247.1.323.1A | Instrument panel cover (696) | | 1 |
| 3 | 406.1.080.2A | Instrument panel | | 1 |
| 4 | 771.5.665.8B | Screw (696+) | | 4 |
| 5 | 829.1.971.1A | Bracket (696+) | | 1 |
| 6 | 749.4.004.1A | Nut (696+) | | 4 |
| 7 | 775.5.025.1A | Screw (696+) | | 4 |
| 8 | 829.1.968.1A | Bracket (696+) | | 1 |
| 9 | 774.4.004.1A | Screw | | 4 |
| 10 | 481.1.026.1AA | Headlight fairing (RED) (696+) | | 1 |
| 10 | 481.1.026.1AK | Headlight fairing (MATT BLACK) (696+) | | 1 |
| 10 | 481.1.026.1AW | Headlight fairing (WHITE) (696+) | | 1 |
| 11 | 750.1.028.1A | Nut (696+) | | 4 |
| 12 | 850.4.047.1A | Nut with clip (696+) | | 4 |
| 13 | 487.1.026.1B | Windshield (696+) | | 1 |
| 14 | 852.1.024.1A | Nylon washer (696+) | | 4 |
| 15 | 775.1.007.1AB | Special screw (696+) | | 4 |

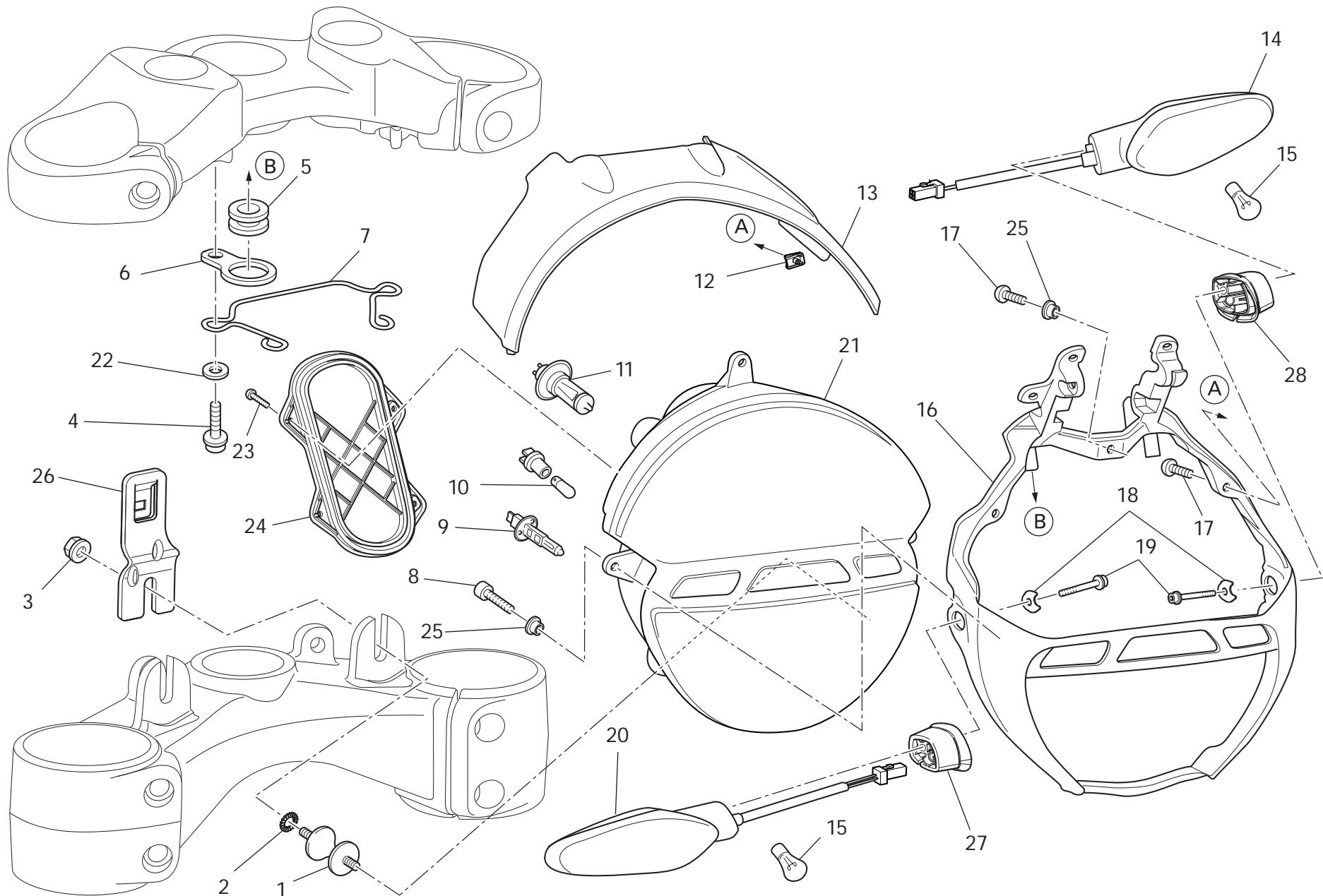
| NOTES NO. | CODE NO. | DESCRIPTION | VALIDITY | Q.TY  |
|-----------|----------|-------------|----------|--|
|-----------|----------|-------------|----------|--|

CATALOGUE No: 915.1.296.1D
ISSUED: 07 - 10

CATALOGUE No: 915.1.296.1D
ISSUED: 07 - 10


696 ABS


DRAWING 022 Headlight



696 ABS

DRAWING **022** Headlight

| NOTES NO. | CODE NO. | DESCRIPTION | VALIDITY | Q.TY  |
|-----------|--------------|-----------------------|----------|--|
| 1 | 700.1.048.1B | Vibration damper | | 2 |
| 2 | 855.5.000.1B | Spring washer | | 2 |
| 3 | 750.5.001.1B | Nut | | 2 |
| 4 | 771.1.039.1A | Screw | | 2 |
| 5 | 764.1.064.1A | Vibration damper pad | | 2 |
| 6 | 830.1.364.1A | Bracket | | 2 |
| 7 | 758.1.046.1A | Fairlead | | 1 |
| 8 | 771.1.044.1A | Screw | | 2 |
| 9 | 390.4.028.1A | Bulb 12V-55W H1 | | 1 |
| 10 | 390.4.019.1A | Bulb 12V-6W H6W | | 1 |
| 11 | 390.4.011.1A | Bulb 12V-55W H7 | | 1 |
| 12 | 850.4.047.1A | Nut with clip | | 3 |
| 13 | 247.1.322.1A | Cover | | 1 |
| 14 | 530.1.022.4A | Turn indicator (L.H.) | | 1 |
| 15 | 390.4.021.1A | Bulb 12V-10W RY10W | | 2 |
| 16 | 829.1.967.3A | Headlight holder | | 1 |
| 17 | 775.1.011.1B | Screw | | 3 |
| 18 | 827.1.493.1A | Plate | | 2 |
| 19 | 771.5.651.8B | Screw | | 2 |
| 20 | 530.1.023.4A | Turn indicator (R.H.) | | 1 |
| 21 | 520.1.017.2B | Headlight | | 1 |
| 22 | 852.1.176.1A | Washer | | 2 |
| 23 | 771.1.235.1A | Screw | | 4 |
| 24 | 247.1.341.1A | Cover | | 1 |
| 25 | 716.1.406.1A | Spacer | | 3 |
| 26 | 829.1.976.1B | Holder | | 1 |
| 27 | 713.1.437.1A | Spacer (R.H.) | | 1 |

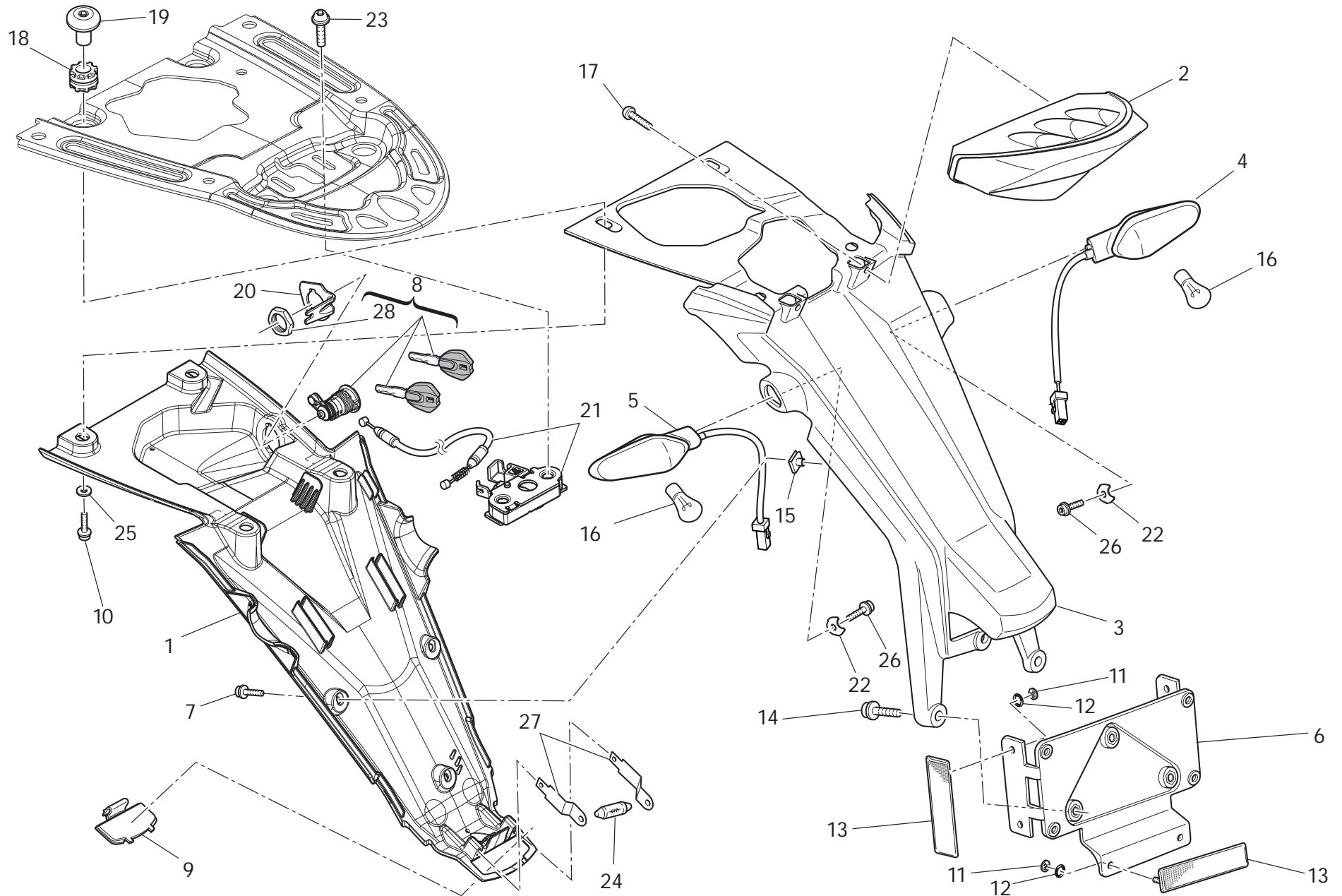
| NOTES NO. | CODE NO. | DESCRIPTION | VALIDITY | Q.TY  |
|-----------|--------------|---------------|----------|--|
| 28 | 713.1.421.1A | Spacer (L.H.) | | 1 |

CATALOGUE No: 915.1.296.1D
ISSUED: 07 - 10

CATALOGUE No: 915.1.296.1D
ISSUED: 07 - 10

696 ABS


DRAWING **023** Number plate holder - tail light



696 ABS

DRAWING **023** Number plate holder - tail light

| NOTES NO. | CODE NO. | DESCRIPTION | VALIDITY | Q.TY  |
|-----------|--------------|-----------------------|----------|--|
| 1 | 247.1.321.1B | Mudflap | | 1 |
| 2 | 525.1.034.2A | Tail light | | 1 |
| 3 | 561.1.043.2A | Protection | | 1 |
| 4 | 530.1.022.4A | Turn indicator (R.H.) | | 1 |
| 5 | 530.1.023.4A | Turn indicator (L.H.) | | 1 |
| 6 | 561.1.045.1A | Number plate holder | | 1 |
| 7 | 771.5.639.8B | Screw | | 3 |
| 8 | 598.2.061.1A | Seat lock | | 1 |
| 9 | 247.1.333.1A | Cover | | 1 |
| 10 | 771.5.662.8B | Screw | | 4 |
| 11 | 850.4.052.1A | Quik fastening | | 6 |
| 12 | 886.4.064.1A | O-ring | | 6 |
| 13 | 529.1.010.1A | Reflector | | 3 |
| 14 | 771.1.369.1A | Screw | | 3 |
| 15 | 850.4.047.1A | Nut with clip | | 3 |
| 16 | 390.4.021.1A | Bulb 12V-10W RY10W | | 2 |
| 17 | 774.4.004.1A | Screw | | 2 |
| 18 | 764.1.024.1A | Vibration damper pad | | 4 |
| 19 | 779.1.560.1A | Special screw | | 4 |
| 20 | 827.1.482.1A | Plate | | 1 |
| 21 | 598.1.012.1A | Lock latch | | 1 |
| 22 | 827.1.493.1A | Plate | | 2 |
| 23 | 779.1.555.1A | Special screw | | 2 |
| 24 | 390.4.016.2A | Bulb 12V-5W C5W | | 1 |
| 25 | 852.1.160.1B | Washer | | 4 |
| 26 | 771.5.637.8B | Screw | | 2 |
| 27 | 391.1.003.3A | Blade | | 2 |

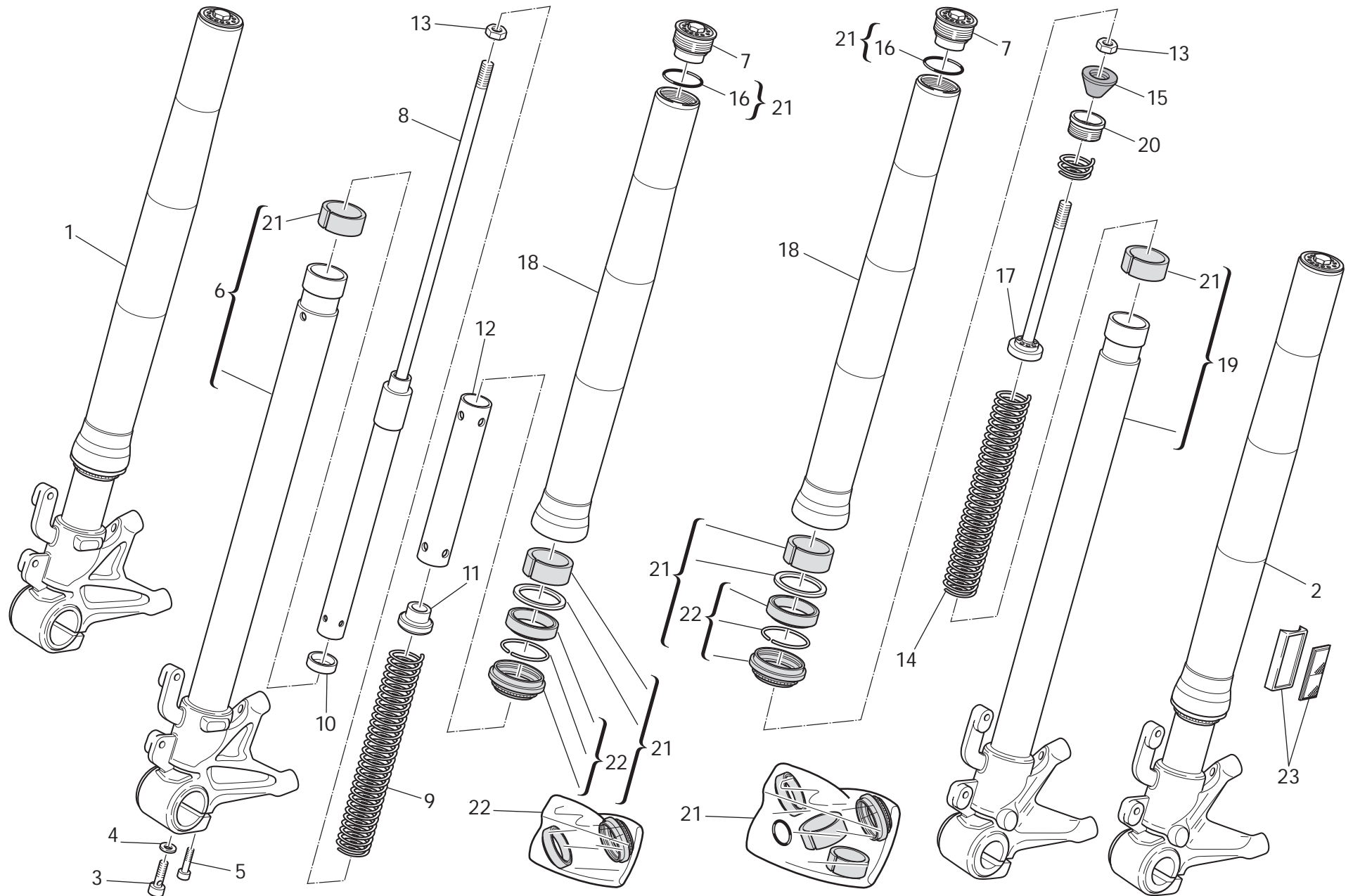
| NOTES NO. | CODE NO. | DESCRIPTION | VALIDITY | Q.TY  |
|-----------|--------------|-------------|----------|--|
| 28 | 750.1.155.1A | Special nut | | 1 |

CATALOGUE No: 915.1.296.1D
ISSUED: 07 - 10

CATALOGUE No: 915.1.296.1D
ISSUED: 07 - 10

696 ABS

DRAWING **024** Front forks



696 ABS

DRAWING **024** Front forks

| NOTES NO. | CODE NO. | DESCRIPTION | VALIDITY | Q.TY  |
|-----------|--------------|--------------------------|----------|--|
| 1 | 344.2.036.1A | Fork leg assembly (R.H.) | | 1 |
| 2 | 345.2.036.1A | Fork leg assembly (L.H.) | | 1 |
| 3 | 349.1.242.1A | Special screw | | 1 |
| 4 | 349.1.076.1A | Washer | | 1 |
| 5 | 771.5.725.8B | Screw | | 4 |
| 6 | 349.1.239.1A | Complete R.H. slider | | 1 |
| 7 | 349.1.236.1A | Cap | | 2 |
| 8 | 349.1.240.1A | Damper tube | | 1 |
| 9 | 349.1.243.1A | Spring | | 1 |
| 10 | 349.1.075.1A | Centering ring | | 1 |
| 11 | 349.1.245.1A | Coupling | | 1 |
| 12 | 349.1.244.1A | Preload tube | | 1 |
| 13 | 349.1.233.1A | Nut | | 2 |
| 14 | 349.1.234.1A | Spring | | 1 |
| 15 | 349.1.235.1A | Pad | | 1 |
| 16 | 349.1.214.1A | O-Ring | | 2 |
| 17 | 349.1.237.1A | Complete pumping element | | 1 |
| 18 | 349.1.232.1A | Stanchion tube | | 2 |
| 19 | 349.1.230.1A | Complete L.H. slider | | 1 |
| 20 | 349.1.238.1A | Bush | | 1 |
| 21 | 349.1.246.1A | Overhaul kit | | 2 |
| 22 | 349.1.261.1A | Seat kit | | 2 |
| 23 | 529.1.001.2A | Cat's eye (AMBER) | | 2 |

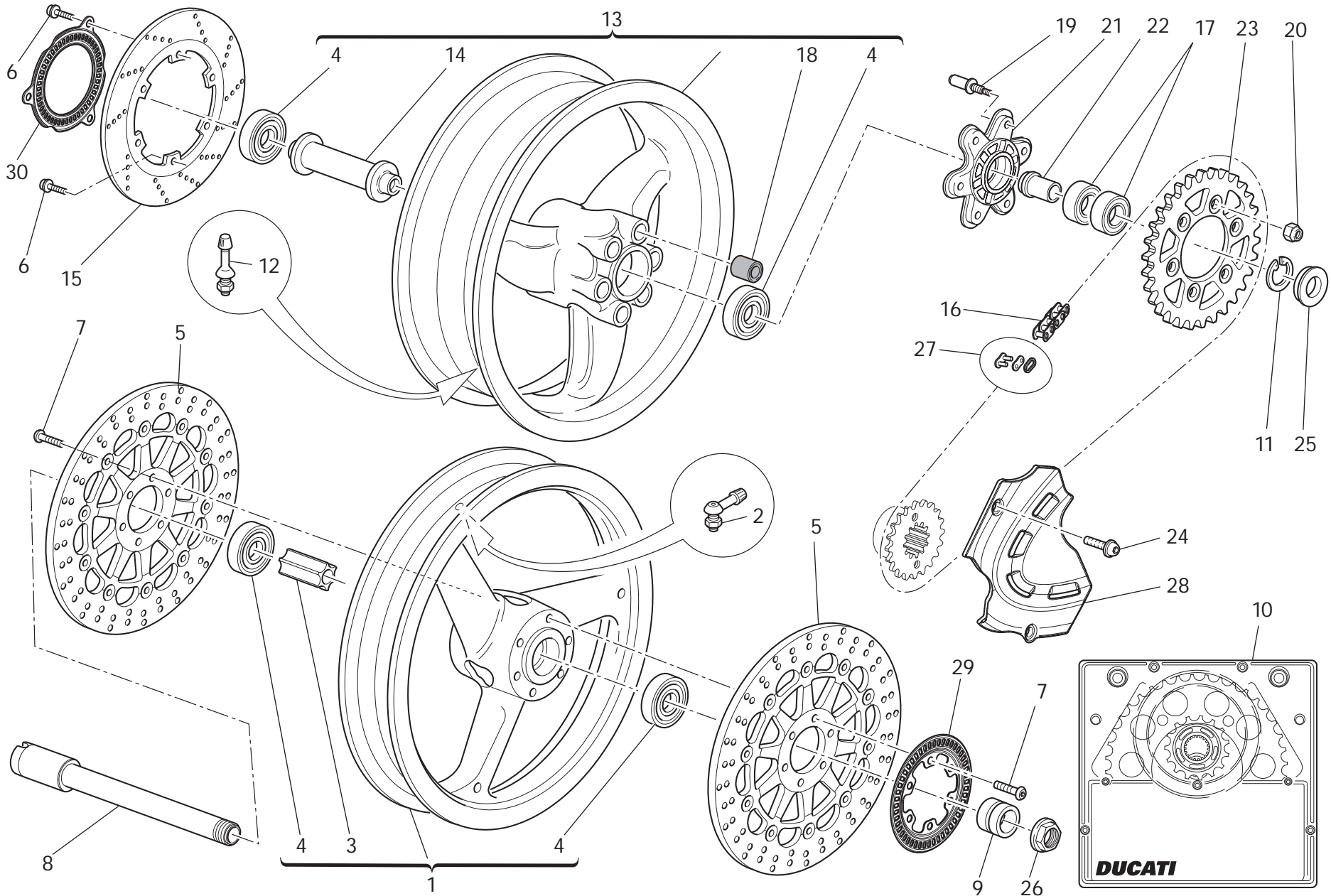
| NOTES NO. | CODE NO. | DESCRIPTION | VALIDITY | Q.TY  |
|-----------|----------|-------------|----------|--|
|-----------|----------|-------------|----------|--|

CATALOGUE No: 915.1.296.1D
ISSUED: 07 - 10

CATALOGUE No: 915.1.296.1D
ISSUED: 07 - 10

696 ABS


DRAWING 025 Front and rear wheels



696 ABS

DRAWING **025** Front and rear wheels

| NOTES NO. | CODE NO. | DESCRIPTION | VALIDITY | Q.TY  |
|-----------|---------------|----------------------|----------|--|
| 1 | 501.2.131.1AB | Front wheel rim | | 1 |
| 2 | 497.2.001.2A | Valve | | 1 |
| 3 | 714.1.094.1A | Spacer (internal) | | 1 |
| 4 | 702.5.045.1A | Bearing | | 4 |
| 5 | 492.4.029.1A | Front brake disc | | 2 |
| 6 | 773.1.007.1A | Screw | | 6 |
| 7 | 779.1.399.1A | Screw | | 12 |
| 8 | 819.1.017.1D | Front wheel spindle | | 1 |
| 9 | 713.1.197.3A | Spacer | | 1 |
| 10 | 676.2.071.1A | Final drive kit | | 1 |
| 11 | 884.5.008.1A | Circlip | | 1 |
| 12 | 497.2.003.1A | Valve | | 1 |
| 13 | 502.2.134.1AB | Rear wheel rim | | 1 |
| 14 | 714.1.095.1A | Spacer (internal) | | 1 |
| 15 | 492.4.003.2A | Brake disc | | 1 |
| 16 | 676.4.072.1A | Chain | | 1 |
| 17 | 702.5.050.1A | Bearing | | 2 |
| 18 | 700.1.005.1A | Vibration damper | | 6 |
| 19 | 821.1.009.1B | Pin | | 6 |
| 20 | 748.4.024.1AB | Nut | | 6 |
| 21 | 160.1.049.1A | Rear sprocket flange | | 1 |
| 22 | 710.1.041.2B | Bush | | 1 |
| 23 | 494.1.029.1A | Ring gear Z=45 | | 1 |
| 24 | 775.5.021.3C | Screw | | 2 |
| 25 | 713.1.399.1A | Spacer | | 1 |
| 26 | 748.1.014.1C | Nut | | 1 |
| 27 | 677.4.008.2A | Drive chain joint | | 1 |

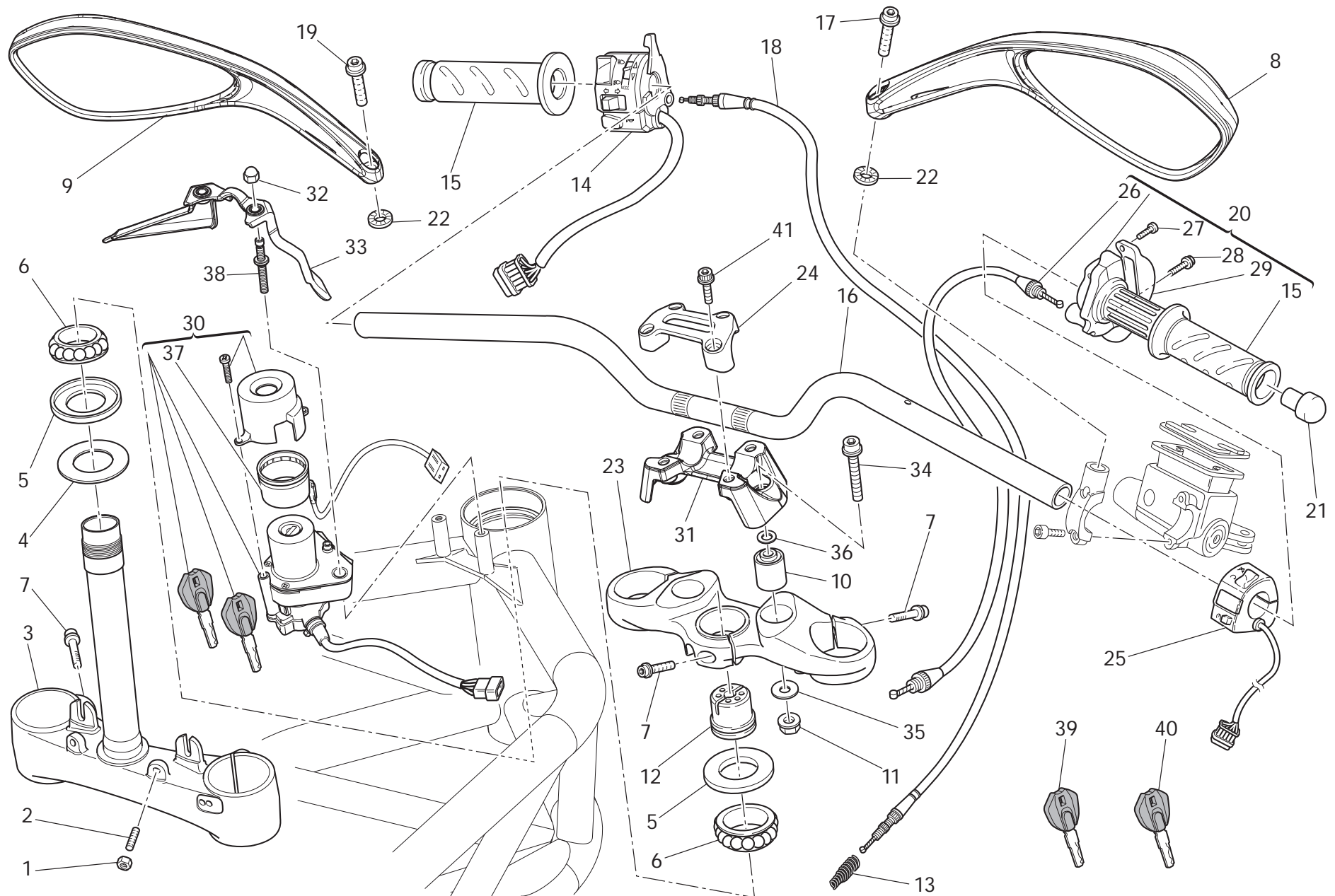
| NOTES NO. | CODE NO. | DESCRIPTION | VALIDITY | Q.TY  |
|-----------|--------------|-----------------------|----------|--|
| 28 | 247.1.331.1A | Sprocket cover | | 1 |
| 29 | 504.1.004.1A | Impulse wheel (front) | | 1 |
| 30 | 504.1.006.1A | Impulse wheel (rear) | | 1 |

CATALOGUE No: 915.1.296.1D
ISSUED: 07 - 10

CATALOGUE No: 915.1.296.1D
ISSUED: 07 - 10

696 ABS

DRAWING **026** Handlebar and controls




696 ABS

DRAWING **026**

Handlebar and controls

| NOTES NO. | CODE NO. | DESCRIPTION | VALIDITY | Q.TY  |
|-----------|---------------|--|----------|--|
| 1 | 7475.007.1A | Nut | | 2 |
| 2 | 778.5.028.1A | Threaded dowel | | 2 |
| 3 | 342.2.054.1A | Steering head base | | 1 |
| 4 | 852.1.103.1A | Washer | | 1 |
| 5 | 930.1.004.1B | Seal ring | | 2 |
| 6 | 702.4.004.1A | Bearing | | 2 |
| 7 | 771.5.725.8B | Screw | | 7 |
| 8 | 523.4.022.2A | Rear-view mirror (R.H.) | | 1 |
| 9 | 523.4.023.2A | Rear-view mirror (L.H.) | | 1 |
| 10 | 700.1.054.1A | Vibration damper | | 2 |
| 11 | 748.4.024.1AB | Nut | | 2 |
| 12 | 703.1.013.1A | Ring nut | | 1 |
| 13 | 799.1.058.1A | Starter control transmission return spring | | 1 |
| 14 | 651.1.009.1A | L.H. switch | | 1 |
| 15 | 8000.78345 | Grips pair | | 1 |
| 16 | 360.1.097.2A | Handlebar | | 1 |
| 17 | 771.1.373.1A | Screw (L.H.) | | 1 |
| 18 | 657.1.022.1A | Flexible cable | | 1 |
| 19 | 771.1.374.1A | Screw (R.H.) | | 1 |
| 20 | 654.2.003.2A | Throttle control | | 1 |
| 21 | 872.1.028.1A | Cap | | 2 |
| 22 | 462.1.002.1A | Spring washer | | 2 |
| 23 | 341.2.068.1A | Steering head | | 1 |
| 24 | 360.1.099.1A | Single U-bolt (upper) | | 1 |
| 25 | 650.1.007.1B | R.H. switch | | 1 |
| 26 | 656.1.086.1A | Throttle control transmission | | 1 |
| 27 | 8000.66774 | Screw | | 2 |

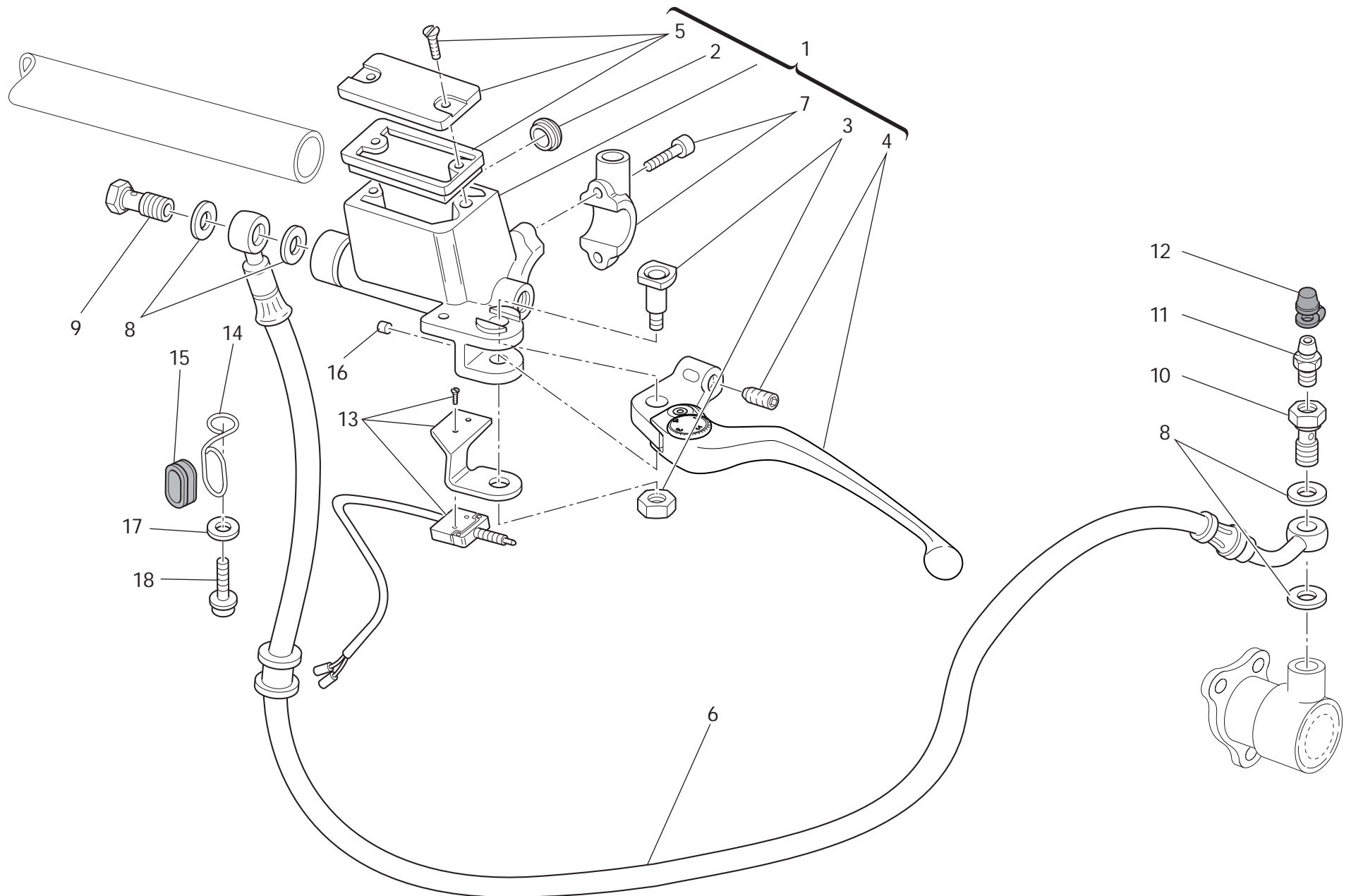
CATALOGUE No: 915.1.296.1D
ISSUED: 07 - 10

| NOTES NO. | CODE NO. | DESCRIPTION | VALIDITY | Q.TY  |
|-----------|--------------|----------------------------|----------|--|
| 28 | 772.5.101.8B | Screw | | 2 |
| 29 | 658.4.002.1B | Cover | | 1 |
| 30 | 652.4.014.1C | Switch | | 1 |
| 31 | 360.1.101.1A | Single U-bolt (bottom) | | 1 |
| 32 | 749.1.002.1A | Special nut | | 2 |
| 33 | 247.1.363.1A | Cover | | 1 |
| 34 | 771.5.941.8B | Screw | | 2 |
| 35 | 852.1.049.1B | Washer | | 2 |
| 36 | 852.5.040.1A | Washer | | 2 |
| 37 | 518.4.005.1B | Antenna | | 1 |
| 38 | 779.1.537.1A | Special screw | | 2 |
| 39 | 598.4.028.1A | Wrench with Transponder | | 1 |
| 40 | 598.4.029.1A | Wrench without Transponder | | 1 |
| 41 | 771.5.727.8B | Screw | | 4 |

CATALOGUE No: 915.1.296.1D
ISSUED: 07 - 10


696 ABS


DRAWING **027** Clutch control



696 ABS

DRAWING **027** Clutch control

| NOTES NO. | CODE NO. | DESCRIPTION | VALIDITY | Q.TY  |
|-----------|---------------|-------------------------------------|----------|--|
| 1 | 630.4.051.1A | Clutch drive pump | | 1 |
| 2 | 0000.49654 | Spare inspection window | | 1 |
| 3 | 626.4.060.1A | Spare lever pin | | 1 |
| 4 | 626.4.071.1A | Lever with dowel | | 1 |
| 5 | 893.4.010.1A | Spare cap | | 1 |
| 6 | 632.1.054.1A | Clutch control pipe (METAL PLAITED) | | 1 |
| 7 | 626.4.061.1A | Spare bracket | | 1 |
| 8 | 852.5.024.1A | Gasket th.1 | | 4 |
| 9 | 779.1.366.1AB | Special screw | | 1 |
| 10 | 779.1.397.1A | Special screw | | 1 |
| 11 | 187.1.002.1A | Bleed | | 1 |
| 12 | 612.4.005.1A | Dust seal | | 1 |
| 13 | 539.4.034.1A | Microswitch | | 1 |
| 14 | 881.1.035.1A | Hose guide | | 1 |
| 15 | 0797.41.090 | Fairlead rubber ring | | 1 |
| 16 | 195.4.002.1A | Rubber pad | | 1 |
| 17 | 852.1.176.1A | Washer | | 1 |
| 18 | 771.1.039.1A | Screw | | 1 |

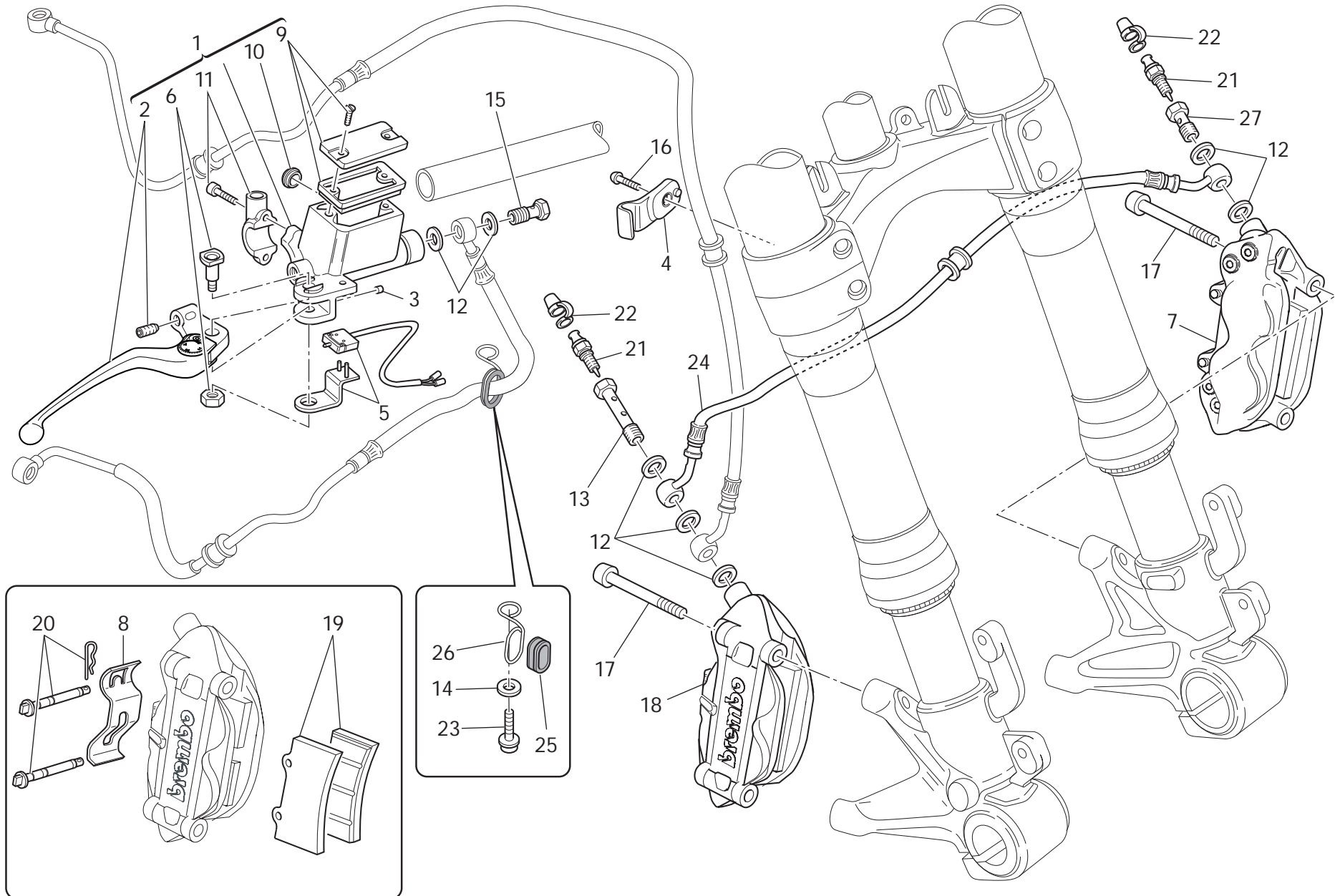
| NOTES NO. | CODE NO. | DESCRIPTION | VALIDITY | Q.TY  |
|-----------|----------|-------------|----------|--|
|-----------|----------|-------------|----------|--|

CATALOGUE No: 915.1.296.1D
ISSUED: 07 - 10

CATALOGUE No: 915.1.296.1D
ISSUED: 07 - 10

696 ABS

DRAWING **028** Front brake



696 ABS

DRAWING **028** Front brake

| NOTES NO. | CODE NO. | DESCRIPTION | VALIDITY | Q.TY  |
|-----------|--------------|-------------------------|----------|--|
| 1 | 624.4.065.1A | Front brake pump | | 1 |
| 2 | 626.4.070.1A | Lever with dowel | | 1 |
| 3 | 195.4.002.1A | Rubber pad | | 1 |
| 4 | 830.1.479.1A | Bracket | | 1 |
| 5 | 539.4.063.1A | Microswitch | | 1 |
| 6 | 626.4.060.1A | Spare lever pin | | 1 |
| 7 | 610.4.103.1A | Brake caliper (L.H.) | | 1 |
| 8 | 612.4.017.1A | Plate | | 2 |
| 9 | 893.4.009.1A | Spare cap | | 1 |
| 10 | 0000.49655 | Spare inspection window | | 1 |
| 11 | 626.4.059.1A | Spare bracket | | 1 |
| 12 | 852.5.024.1A | Gasket th.1 | | 7 |
| 13 | 779.1.465.1A | Special screw | | 1 |
| 14 | 852.1.176.1A | Washer | | 1 |
| 15 | 779.1.415.1A | Special screw | | 1 |
| 16 | 775.1.054.1A | Screw | | 1 |
| 17 | 779.1.331.1D | Screw | | 4 |
| 18 | 610.4.104.1A | Brake caliper (R.H.) | | 1 |
| 19 | 613.4.061.1A | Pads pair | | 2 |
| 20 | 612.4.014.1A | Spare pins and spring | | 2 |
| 21 | 187.1.002.1A | Bleed | | 2 |
| 22 | 612.4.005.1A | Dust seal | | 2 |
| 23 | 771.1.039.1A | Screw | | 1 |
| 24 | 618.4.086.1A | Front brake line | | 1 |
| 25 | 758.1.054.1B | Rubber pad | | 1 |
| 26 | 881.1.074.1A | Hose guide | | 1 |
| 27 | 779.1.397.1A | Special screw | | 1 |

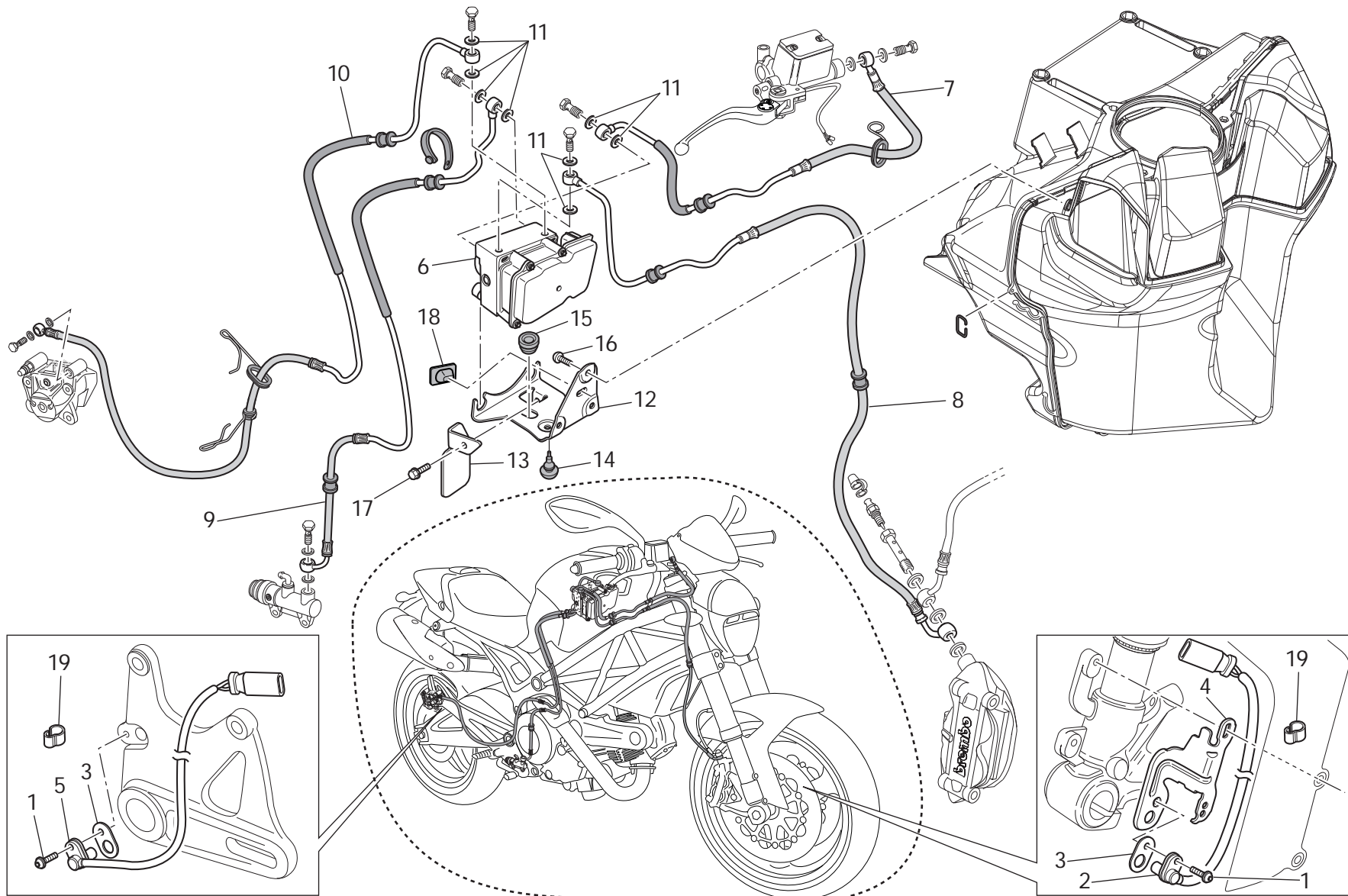
| NOTES NO. | CODE NO. | DESCRIPTION | VALIDITY | Q.TY  |
|-----------|----------|-------------|----------|--|
|-----------|----------|-------------|----------|--|

CATALOGUE No: 915.1.296.1D
ISSUED: 07 - 10

CATALOGUE No: 915.1.296.1D
ISSUED: 07 - 10


696 ABS

DRAWING 028a Antilock braking system (abs)



696 ABS

DRAWING **028a** Antilock braking system (abs)

| NOTES NO. | CODE NO. | DESCRIPTION | VALIDITY | Q.TY  |
|-----------|--------------|----------------------------------|----------|--|
| 1 | 772.1.042.3C | Screw | | 2 |
| 2 | 552.1.212.1B | Speed sensor (ABS) (front) | | 1 |
| 3 | 713.1.920.1A | Gasket th.0.5 | | 12 |
| 4 | 830.1.542.2A | Holder sensor (ABS) (front) | | 1 |
| 5 | 552.1.218.1A | Speed sensor (ABS) (rear) | | 1 |
| 6 | 542.4.019.1A | ABS unit | | 1 |
| 7 | 618.4.106.2A | Front master cylinder - CPU line | | 1 |
| 8 | 618.4.092.1B | CPU - front calipers line | | 1 |
| 9 | 619.4.043.1B | Rear master cylinder - CPU line | | 1 |
| 10 | 619.4.044.1B | CPU - rear caliper line | | 1 |
| 11 | 852.5.024.1A | Gasket th.1 | | 8 |
| 12 | 830.1.569.1A | Holder (ABS) | | 1 |
| 13 | 830.1.576.1B | Bracket (Fuse) | | 1 |
| 14 | 866.4.003.1A | Rubber pad (bottom) | | 1 |
| 15 | 866.4.005.1A | Rubber pad (upper) | | 1 |
| 16 | 779.5.046.1A | Screw | | 3 |
| 17 | 772.5.071.8B | Screw | | 1 |
| 18 | 866.1.030.1A | Rubber pad | | 1 |
| 19 | 758.4.060.1A | Fairlead | | 10 |

| NOTES NO. | CODE NO. | DESCRIPTION | VALIDITY | Q.TY  |
|-----------|----------|-------------|----------|--|
|-----------|----------|-------------|----------|--|

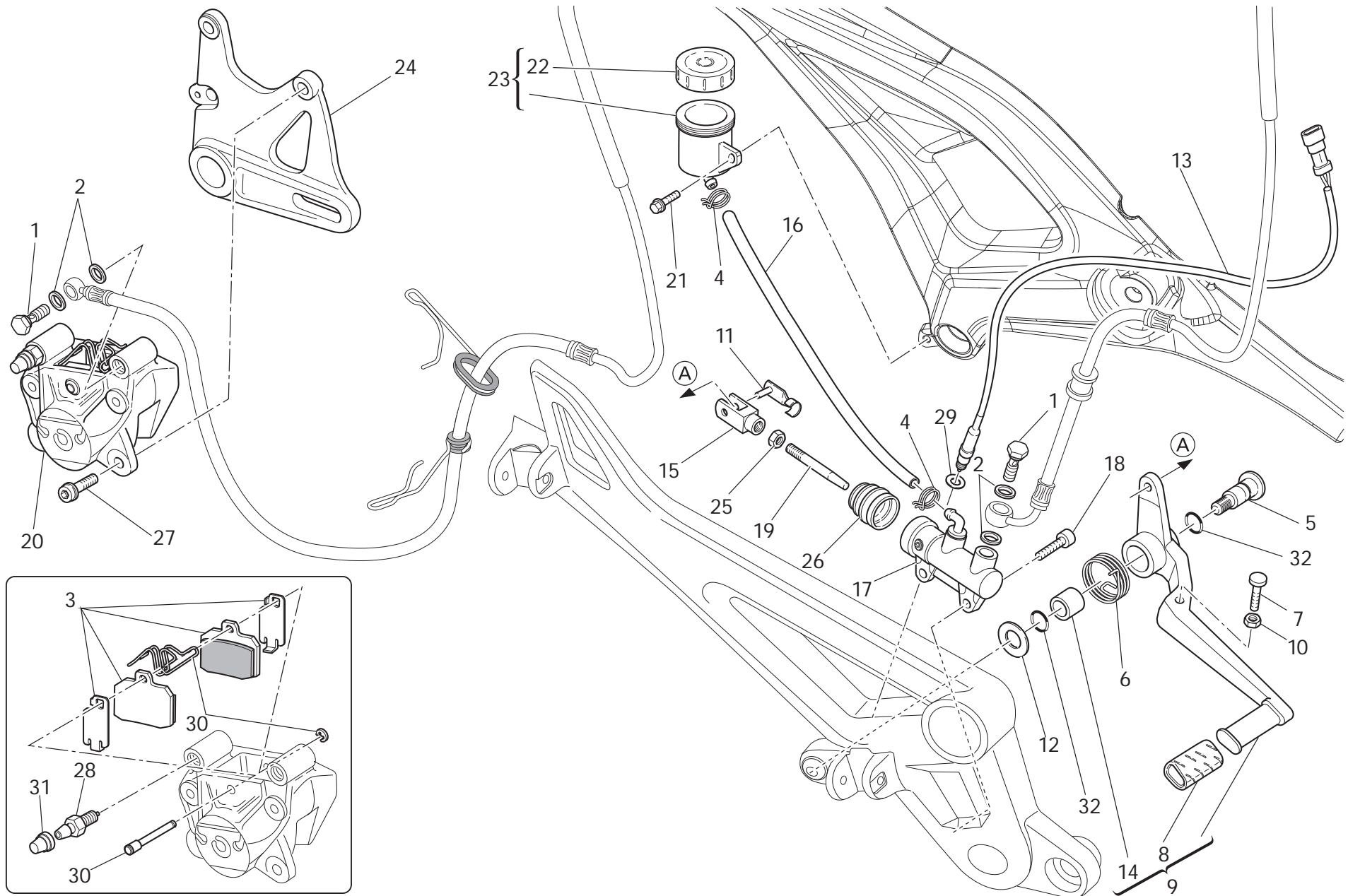
CATALOGUE No: 915.1.296.1D
ISSUED: 07 - 10

CATALOGUE No: 915.1.296.1D
ISSUED: 07 - 10

696 ABS

DRAWING **029**

Rear brake




696 ABS

DRAWING **029**

Rear brake

| NOTES NO. | CODE NO. | DESCRIPTION | VALIDITY | Q.TY  |
|-----------|---------------|------------------------------|----------|--|
| 1 | 779.1.366.1AB | Special screw | | 2 |
| 2 | 852.5.024.1A | Gasket th.1 | | 4 |
| 3 | 613.4.087.1A | Pads pair | | 1 |
| 4 | 741.4.043.1A | Hose guide | | 2 |
| 5 | 821.1.170.1A | Pin | | 1 |
| 6 | 799.1.489.1A | Spring | | 1 |
| 7 | 779.1.237.1B | Adjusting screw | | 1 |
| 8 | 764.1.011.2A | Rubber pad | | 1 |
| 9 | 457.2.046.1A | Brake control lever | | 1 |
| 10 | 747.5.003.1A | Nut | | 1 |
| 11 | 850.1.015.1A | Quik fastening | | 1 |
| 12 | 852.1.151.1A | Washer | | 1 |
| 13 | 539.4.003.1C | Brake pressure sensor (rear) | | 1 |
| 14 | 712.1.034.1A | Bush | | 1 |
| 15 | 184.1.005.1A | Fork | | 1 |
| 16 | 877.1.149.1A | Tube | | 1 |
| 17 | 625.4.004.1A | Rear brake pump | | 1 |
| 18 | 771.1.039.1A | Screw | | 2 |
| 19 | 117.1.044.1A | Adjuster rod | | 1 |
| 20 | 611.4.034.1A | Rear brake caliper | | 1 |
| 21 | 772.1.059.1A | Screw | | 1 |
| 22 | 893.4.005.1A | Cap | | 1 |
| 23 | 585.4.008.1A | Complete oil tank | | 1 |
| 24 | 825.1.042.2A | Caliper holder plate (ABS) | | 1 |
| 25 | 747.5.005.1B | Nut | | 1 |
| 26 | 626.4.013.1A | Dust cover | | 1 |
| 27 | 771.5.723.8B | Screw | | 2 |

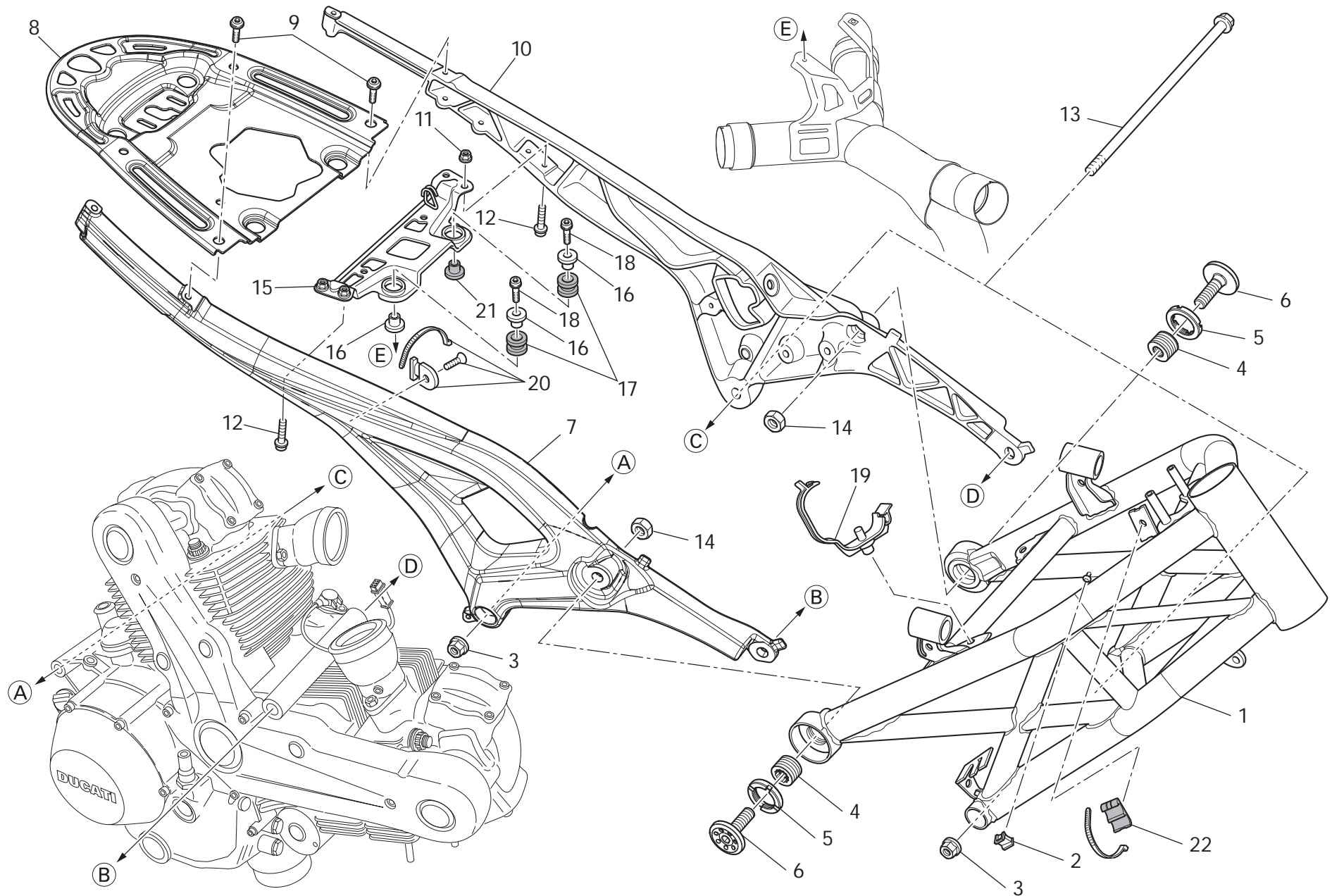
CATALOGUE No: 915.1.296.1D
ISSUED: 07 - 10

| NOTES NO. | CODE NO. | DESCRIPTION | VALIDITY | Q.TY  |
|-----------|--------------|-----------------------|----------|--|
| 28 | 631.4.016.1A | Bleed | | 1 |
| 29 | 420.2.000.8A | Copper gasket sp. 1 | | 1 |
| 30 | 612.4.016.1A | Spare pins and spring | | 1 |
| 31 | 612.4.008.1A | Dust seal | | 1 |
| 32 | 886.4.116.1A | O-ring | | 2 |

CATALOGUE No: 915.1.296.1D
ISSUED: 07 - 10


696 ABS

DRAWING **030** Frame



696 ABS

DRAWING **030** Frame

| NOTES NO. | CODE NO. | DESCRIPTION | VALIDITY | Q.TY  |
|-----------|---------------|----------------------|----------|--|
| 1 | 470.2.196.4AA | Frame (RED) | | 1 |
| 1 | 470.2.196.4AT | Frame (BLACK) | | 1 |
| 2 | 850.4.067.1A | Clamp | | 10 |
| 3 | 748.4.002.1A | Nut | | 2 |
| 4 | 779.1.536.1A | Threaded dowel | | 2 |
| 5 | 703.1.049.1A | Ring nut | | 2 |
| 6 | 779.1.535.1A | Special screw | | 2 |
| 7 | 471.1.013.2B | Rear frame (R.H.) | | 1 |
| 8 | 829.1.973.1D | Plate | | 1 |
| 9 | 772.4.058.3C | Screw | | 4 |
| 10 | 471.1.012.2B | Rear frame (L.H.) | | 1 |
| 11 | 748.1.040.1A | Nut | | 2 |
| 12 | 771.5.665.8B | Screw | | 4 |
| 13 | 779.1.213.1A | Special screw | | 2 |
| 14 | 750.1.153.1A | Special nut | | 2 |
| 15 | 829.1.969.1B | Bracket (rear) | | 1 |
| 16 | 716.1.416.1A | Spacer | | 3 |
| 17 | 764.1.126.1A | Vibration damper pad | | 2 |
| 18 | 773.5.489.8B | Screw | | 2 |
| 19 | 758.4.020.1A | Hose guide | | 1 |
| 20 | 699.2.610.1A | Clamp kit | | 3 |
| 21 | 716.1.415.1A | Spacer | | 1 |
| 22 | 866.1.112.1A | Rubber pad | | 1 |

| NOTES NO. | CODE NO. | DESCRIPTION | VALIDITY | Q.TY  |
|-----------|----------|-------------|----------|--|
|-----------|----------|-------------|----------|--|

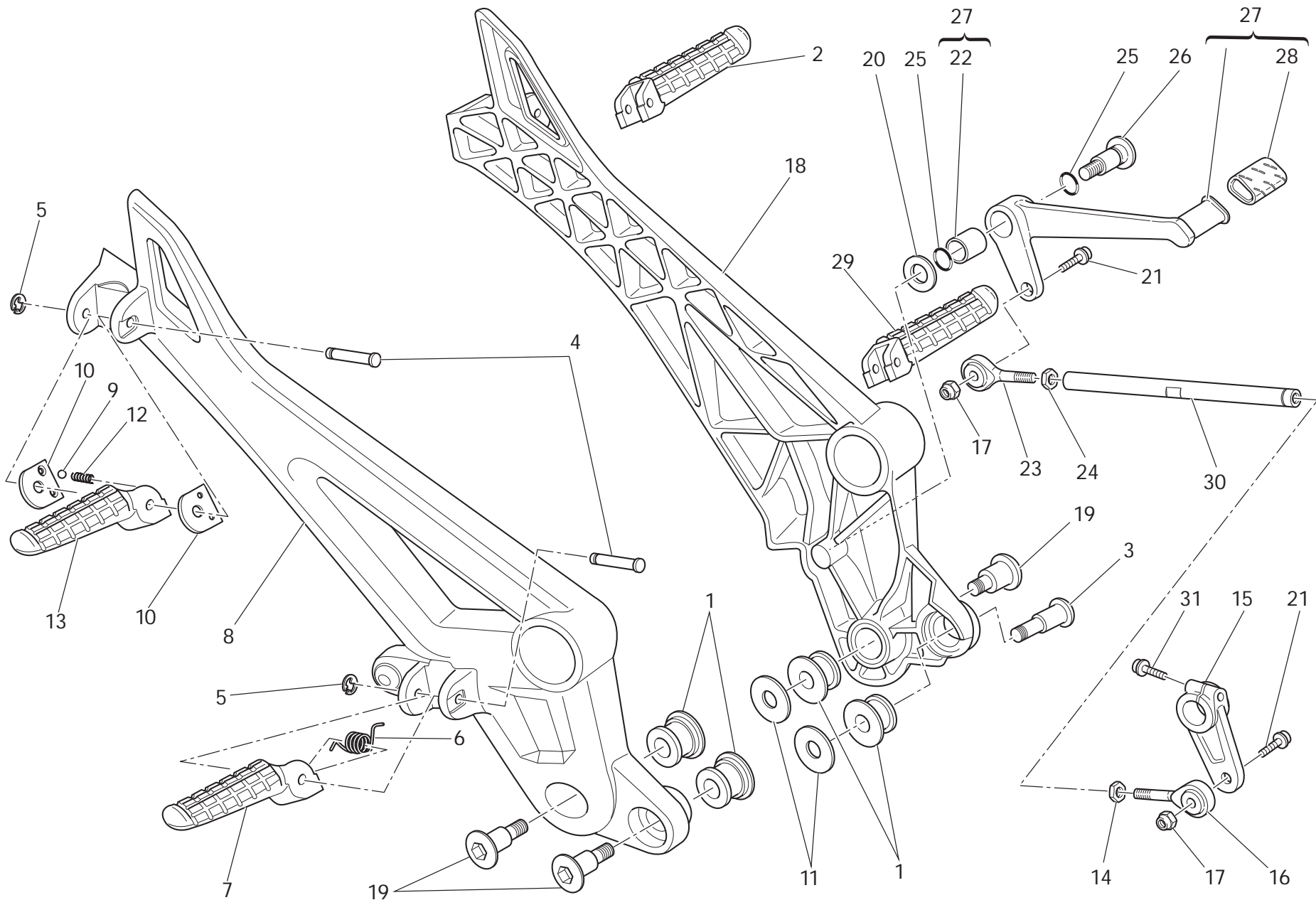
CATALOGUE No: 915.1.296.1D
ISSUED: 07 - 10

CATALOGUE No: 915.1.296.1D
ISSUED: 07 - 10

696 ABS

DRAWING **031**


Gearchange lever - footrest



696 ABS

DRAWING **031** Gearchange lever - footrest

| NOTES NO. | CODE NO. | DESCRIPTION | VALIDITY | Q.TY  |
|-----------|---------------|--------------------------------------|----------|--|
| 1 | 700.1.049.1A | Vibration damper | | 4 |
| 2 | 465.1.061.1A | Rear foot peg (L.H.) | | 1 |
| 3 | 779.1.206.1AB | Special screw | | 1 |
| 4 | 821.1.090.1B | Pin | | 4 |
| 5 | 884.5.003.1A | Circlip | | 4 |
| 6 | 799.1.499.1A | Spring | | 2 |
| 7 | 464.1.045.1A | Front foot peg (R.H.) | | 1 |
| 8 | 824.1.144.1B | Foot peg holder plate (rough) (R.H.) | | 1 |
| 9 | 8474.002.1A | Ball | | 2 |
| 10 | 827.1.161.1B | Plate | | 4 |
| 11 | 852.1.065.1B | Washer | | 2 |
| 12 | 799.1.024.1A | Spring | | 2 |
| 13 | 465.1.060.1A | Rear foot peg (R.H.) | | 1 |
| 14 | 7475.005.1B | Nut | | 1 |
| 15 | 456.1.046.1B | Gearchange control lever | | 1 |
| 16 | 848.5.002.1A | Ball joint | | 1 |
| 17 | 749.5.004.1A | Nut | | 2 |
| 18 | 824.1.145.1B | Foot peg holder plate (rough) (L.H.) | | 1 |
| 19 | 779.1.205.1AB | Special screw | | 3 |
| 20 | 852.1.151.1A | Washer | | 1 |
| 21 | 771.5.667.8B | Screw | | 2 |
| 22 | 712.1.034.1A | Bush | | 1 |
| 23 | 848.5.001.1A | Ball joint | | 1 |
| 24 | 7475.001.1AB | Nut | | 1 |
| 25 | 886.4.116.1A | O-ring | | 2 |
| 26 | 821.1.170.1A | Pin | | 1 |
| 27 | 456.2.202.1A | Gearchange lever | | 1 |

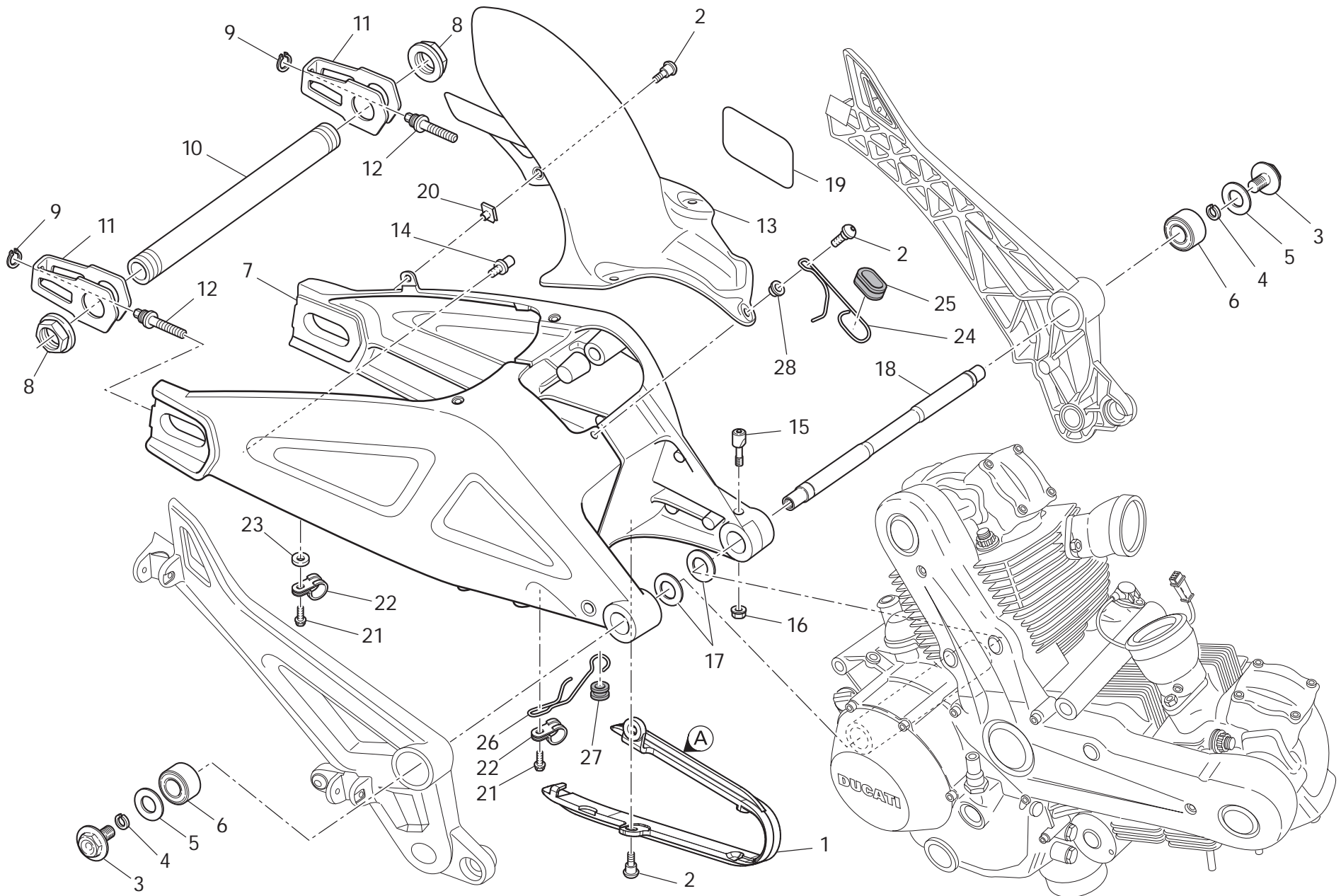
| NOTES NO. | CODE NO. | DESCRIPTION | VALIDITY | Q.TY  |
|-----------|--------------|--------------------------|----------|--|
| 28 | 764.1.011.2A | Rubber pad | | 1 |
| 29 | 464.1.046.1A | Front foot peg (L.H.) | | 1 |
| 30 | 117.1.099.1A | Gearbox transmission rod | | 1 |
| 31 | 771.1.019.1A | Screw | | 1 |

CATALOGUE No: 915.1.296.1D
ISSUED: 07 - 10

CATALOGUE No: 915.1.296.1D
ISSUED: 07 - 10

696 ABS


DRAWING **032** Swingarm and drive chain



696 ABS

DRAWING **032** Swingarm and drive chain

| NOTES NO. | CODE NO. | DESCRIPTION | VALIDITY | Q.TY  |
|-----------|---------------|--------------------------|----------|--|
| 1 | 447.1.073.1A | Chain sliding shoe | | 1 |
| 2 | 772.1.085.2C | Screw | | 8 |
| 3 | 779.1.151.1A | Special screw | | 2 |
| 4 | 884.4.007.1A | Snap ring | | 2 |
| 5 | 852.1.157.1A | Washer | | 2 |
| 6 | 700.1.039.1A | Vibration damper | | 2 |
| 7 | 370.1.084.1C | Swingarm (BLACK) | | 1 |
| 8 | 748.1.023.2B | Nut | | 2 |
| 9 | 884.5.034.1B | Snap ring | | 2 |
| 10 | 819.1.066.2A | Rear wheel spindle | | 1 |
| 11 | 373.1.063.1A | Sliding shoe | | 2 |
| 12 | 779.1.545.1B | Adjusting screw | | 2 |
| 13 | 565.1.040.1A | Rear mudguard | | 1 |
| 14 | 832.1.026.1B | Pin | | 1 |
| 15 | 808.1.046.1A | Clamp | | 1 |
| 16 | 748.4.034.1B | Nut | | 1 |
| 17 | 852.1.001.1B | Shim th. 1.8 | | 2 |
| 17 | 852.1.002.1B | Shim th. 0.2 | | 2 |
| 17 | 852.1.003.1B | Shim th. 0.1 | | 2 |
| 18 | 369.1.008.1A | Swingarm pivot | | 1 |
| 19 | 433.1.347.1A | Chain adjustment sticker | | 1 |
| 20 | 850.4.055.1A | Nut with clip | | 2 |
| 21 | 772.1.114.1A | Screw | | 2 |
| 22 | 741.4.062.1A | Fairlead | | 2 |
| 23 | 852.1.275.1A | Spacer | | 1 |
| 24 | 758.1.055.1AA | Hose guide (ABS) (upper) | | 1 |
| 25 | 758.1.054.1B | Rubber pad | | 1 |

| NOTES NO. | CODE NO. | DESCRIPTION | VALIDITY | Q.TY  |
|-----------|---------------|---------------------------|----------|--|
| 26 | 758.1.056.1B | Hose guide (ABS) (bottom) | | 1 |
| 27 | 764.1.114.1A | Rubber pad | | 1 |
| 28 | 716.1.146.1AB | Spacer | | 1 |

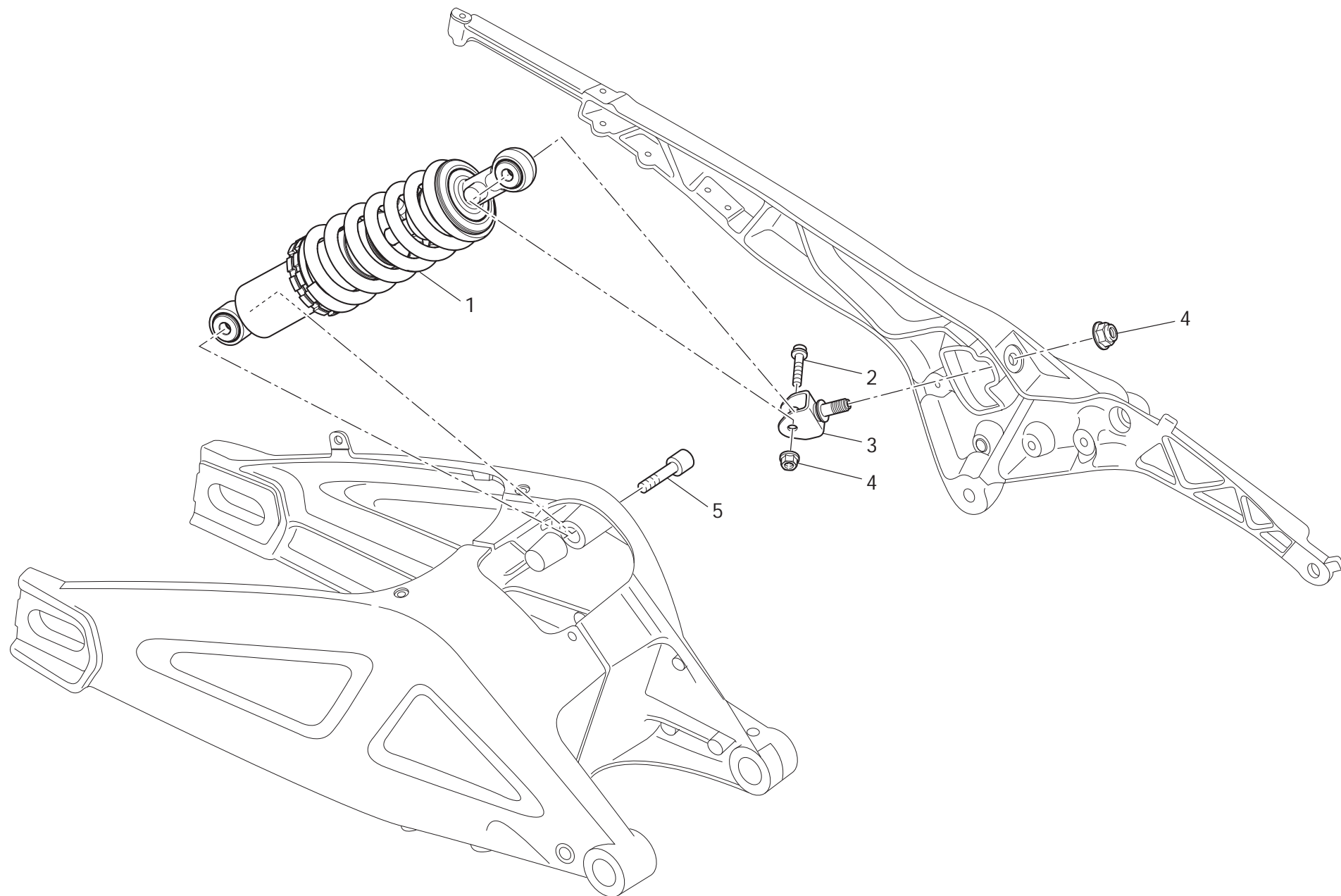
CATALOGUE No: 915.1.296.1D
ISSUED: 07 - 10

CATALOGUE No: 915.1.296.1D
ISSUED: 07 - 10

696 ABS


DRAWING **033**

Rear suspension



696 ABS

DRAWING **033** Rear suspension

| NOTES NO. | CODE NO. | DESCRIPTION | VALIDITY | Q.TY  |
|-----------|---------------|--------------------------------|----------|--|
| 1 | 365.2.080.2A | Shock absorber (rear) | | 1 |
| 2 | 771.5.935.8C | Screw | | 1 |
| 3 | 829.1.970.1A | Shock absorber adjuster holder | | 1 |
| 4 | 748.4.024.1AB | Nut | | 2 |
| 5 | 779.1.504.1A | Screw | | 1 |

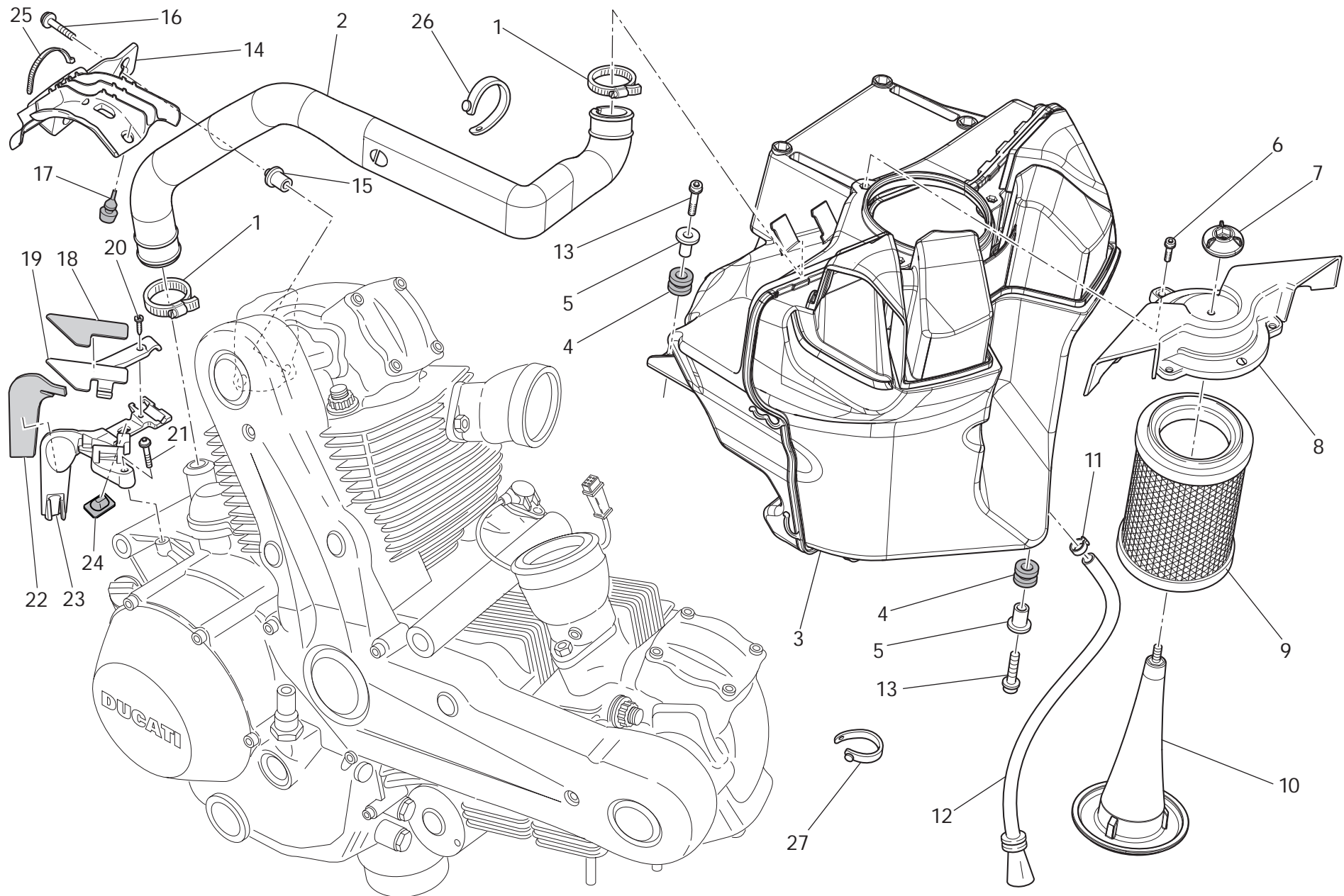
| NOTES NO. | CODE NO. | DESCRIPTION | VALIDITY | Q.TY  |
|-----------|----------|-------------|----------|--|
|-----------|----------|-------------|----------|--|

CATALOGUE No: 915.1.296.1D
ISSUED: 07 - 10

CATALOGUE No: 915.1.296.1D
ISSUED: 07 - 10

696 ABS

DRAWING **034** Air intake - oil breather



696 ABS

DRAWING **034** Air intake - oil breather

| NOTES NO. | CODE NO. | DESCRIPTION | VALIDITY | Q.TY  |
|-----------|--------------|---------------------------|----------|--|
| 1 | 741.4.181.1A | Clamp | | 2 |
| 2 | 876.1.104.1B | Tube | | 1 |
| 3 | 442.1.174.1B | Air filter box | | 1 |
| 4 | 764.1.090.1A | Rubber pad | | 2 |
| 5 | 716.1.022.1B | Spacer | | 2 |
| 6 | 773.5.038.8B | Screw | | 3 |
| 7 | 703.1.048.1A | Ring nut | | 1 |
| 8 | 246.1.202.2A | Filter case cover | | 1 |
| 9 | 426.1.025.1A | Filter element | | 1 |
| 10 | 829.1.961.1A | Holder | | 1 |
| 11 | 741.4.171.1A | Clamp | | 1 |
| 12 | 590.1.313.1A | Breather pipe | | 1 |
| 13 | 771.5.667.8B | Screw | | 2 |
| 14 | 758.1.057.1A | Hose guide | | 1 |
| 15 | 716.1.421.1A | Spacer | | 2 |
| 16 | 772.4.048.3C | Screw | | 2 |
| 17 | 866.1.058.1A | Vibration damper pad | | 1 |
| 18 | 460.1.403.1A | Heat guard (upper) | | 1 |
| 19 | 829.1.992.1A | Hose guide (ABS) (upper) | | 1 |
| 20 | 774.4.010.1A | Screw | | 1 |
| 21 | 772.4.046.3C | Screw | | 1 |
| 22 | 460.1.402.1A | Heat guard (bottom) | | 1 |
| 23 | 829.1.991.1A | Hose guide (ABS) (bottom) | | 1 |
| 24 | 866.1.030.1A | Rubber pad | | 1 |
| 25 | 0691.91.030 | Hose guide | | 3 |
| 26 | 741.1.012.1A | Hose guide | | 2 |
| 27 | 8000.53724 | Hose guide | | 2 |

| NOTES NO. | CODE NO. | DESCRIPTION | VALIDITY | Q.TY  |
|-----------|----------|-------------|----------|--|
|-----------|----------|-------------|----------|--|

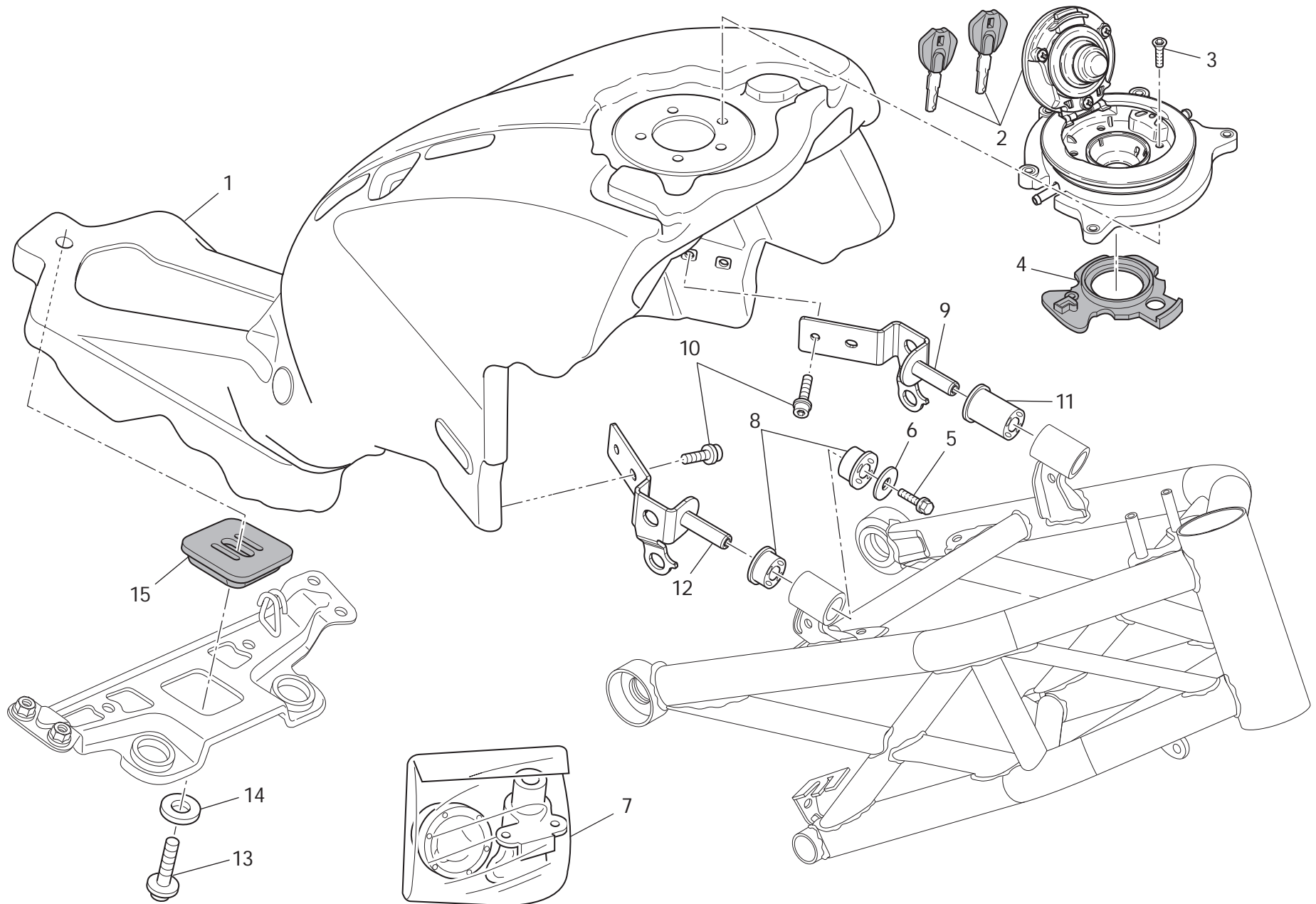
CATALOGUE No: 915.1.296.1D
ISSUED: 07 - 10

CATALOGUE No: 915.1.296.1D
ISSUED: 07 - 10

696 ABS


DRAWING 035

Fuel tank



696 ABS

DRAWING **035** Fuel tank

| NOTES NO. | CODE NO. | DESCRIPTION | VALIDITY | Q.TY  |
|-----------|--------------|------------------|----------|--|
| 1 | 586.3.171.1D | Tank (unpainted) | | 1 |
| 2 | 895.2.019.1C | Tank cap | | 1 |
| 3 | 777.5.034.3B | Screw | | 5 |
| 4 | 866.4.004.1A | Gasket | | 1 |
| 5 | 772.5.097.8B | Screw | | 1 |
| 6 | 852.1.196.1B | Washer | | 1 |
| 7 | 598.2.062.1F | Locks kit | | 1 |
| 8 | 764.1.112.1A | Rubber pad | | 2 |
| 9 | 827.1.479.1A | Plate (L.H.) | | 1 |
| 10 | 771.1.369.1B | Screw | | 4 |
| 11 | 764.1.050.1A | Rubber pad | | 1 |
| 12 | 827.1.478.1A | Plate (R.H.) | | 1 |
| 13 | 779.1.543.2B | Special screw | | 1 |
| 14 | 852.1.065.1C | Washer | | 1 |
| 15 | 866.1.099.1A | Rubber pad | | 1 |

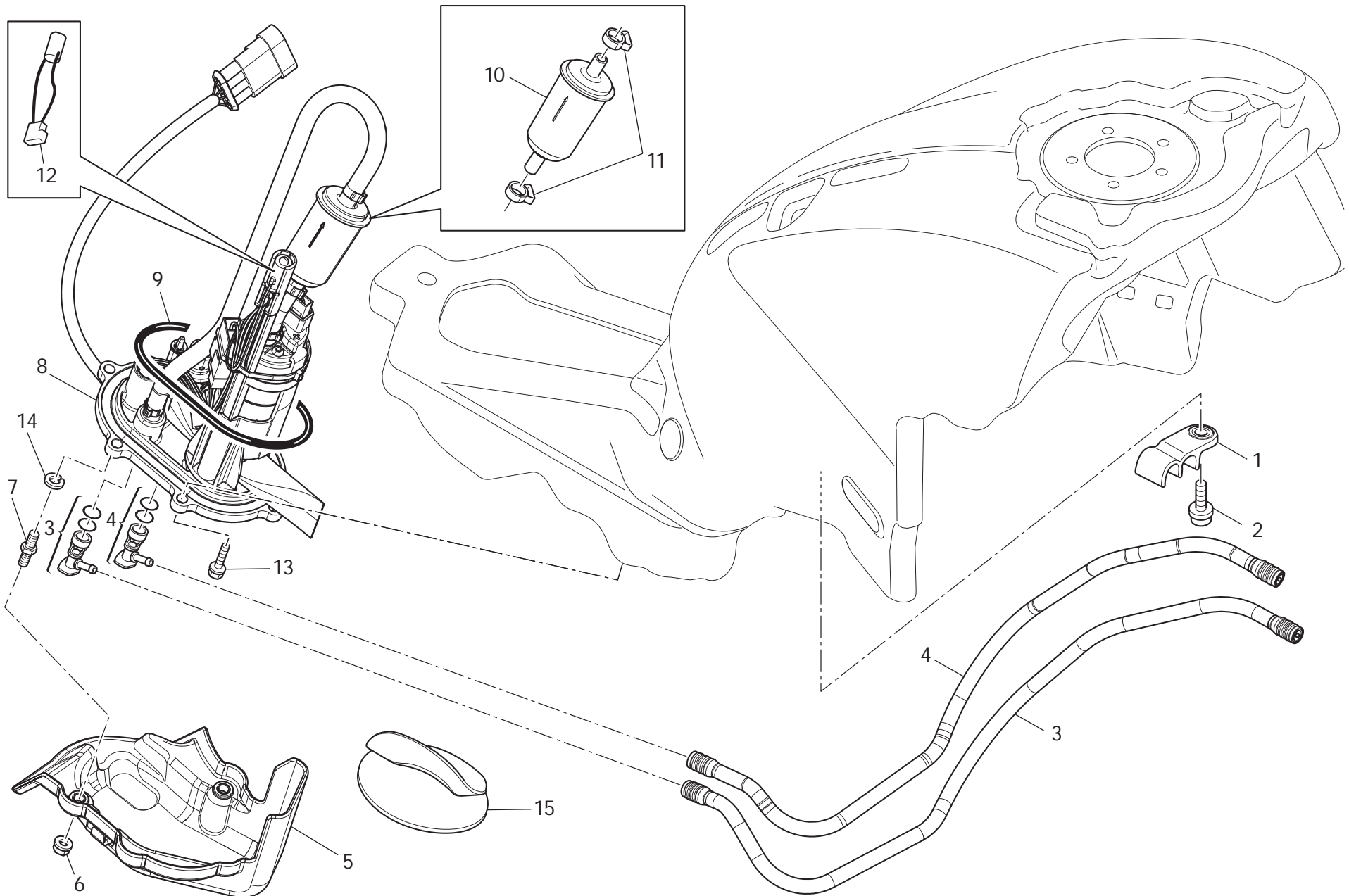
| NOTES NO. | CODE NO. | DESCRIPTION | VALIDITY | Q.TY  |
|-----------|----------|-------------|----------|--|
|-----------|----------|-------------|----------|--|

CATALOGUE No: 915.1.296.1D
ISSUED: 07 - 10

CATALOGUE No: 915.1.296.1D
ISSUED: 07 - 10


696 ABS

DRAWING **036** Fuel system



696 ABS

DRAWING **036** Fuel system

| NOTES NO. | CODE NO. | DESCRIPTION | VALIDITY | Q.TY  |
|-----------|--------------|--------------------|----------|--|
| 1 | 758.1.043.1A | Fairlead | | 2 |
| 2 | 771.5.639.8B | Screw | | 2 |
| 3 | 590.1.329.1A | Fuel delivery pipe | | 1 |
| 4 | 590.1.330.1A | Fuel return pipe | | 1 |
| 5 | 247.1.328.5A | Cover | | 1 |
| 6 | 749.4.110.8B | Nut | | 2 |
| 7 | 779.1.569.1A | Special screw | | 2 |
| 8 | 160.2.379.1A | Flange | | 1 |
| 9 | 886.4.049.1A | O-ring | | 1 |
| 10 | 425.4.015.1A | Fuel filter | | 1 |
| 11 | 699.2.345.1A | Clamps kit | | 1 |
| 12 | 552.4.048.2A | Thermistor | | 1 |
| 13 | 772.1.062.1A | Screw | | 4 |
| 14 | 462.3.010.5A | Washer | | 2 |
| 15 | 460.1.368.1A | Thermal protection | | 1 |

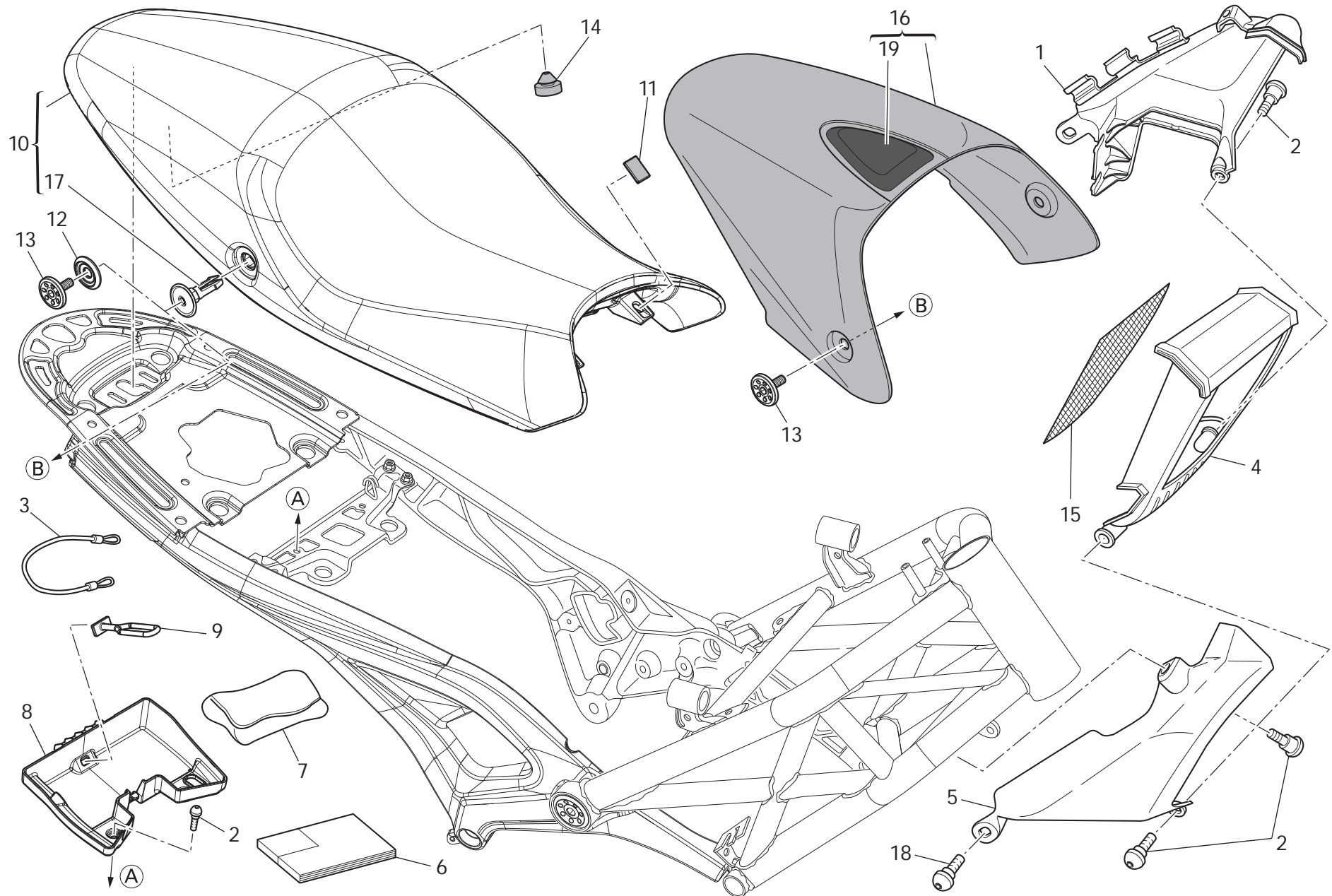
| NOTES NO. | CODE NO. | DESCRIPTION | VALIDITY | Q.TY  |
|-----------|----------|-------------|----------|--|
|-----------|----------|-------------|----------|--|

CATALOGUE No: 915.1.296.1D
ISSUED: 07 - 10

CATALOGUE No: 915.1.296.1D
ISSUED: 07 - 10


696 ABS

DRAWING **037** Seat



696 ABS

DRAWING **037** Seat

| NOTES NO. | CODE NO. | DESCRIPTION | VALIDITY | Q.TY  |
|-----------|---------------|--------------------------------|----------|--|
| 1 | 484.1.071.1A | Air deflector (L.H.) | | 1 |
| 2 | 772.1.085.3B | Special screw | | 6 |
| 3 | 732.1.007.1A | Helmet anti-theft wire | | 1 |
| 4 | 484.1.070.1A | Manifold | | 1 |
| 5 | 484.1.068.1A | Air deflector (R.H.) | | 1 |
| 6 | 913.7.147.1F | Owner's manual | | 1 |
| 7 | 697.2.024.1A | Tool bag | | 1 |
| 8 | 559.1.008.2A | Tool box | | 1 |
| 9 | 759.4.004.1A | Rubber | | 1 |
| 10 | 595.2.007.4A | Seat | | 1 |
| 11 | 866.1.030.1A | Rubber pad | | 6 |
| 12 | 713.1.442.1A | Spacer | | 2 |
| 13 | 779.1.566.1B | Special screw | | 2 |
| 14 | 764.1.063.1B | Rubber pad | | 2 |
| 15 | 460.1.343.1A | Net | | 1 |
| 16 | 595.1.098.1AA | Cover seat (RED) (696+) | | 1 |
| 16 | 595.1.098.1AW | Cover seat (WHITE) (696+) | | 1 |
| 16 | 595.1.098.1AK | Cover seat (MATT BLACK) (696+) | | 1 |
| 17 | 684.1.101.2A | Stud bolt | | 2 |
| 18 | 772.1.113.1A | Screw | | 2 |
| 19 | 595.1.099.1A | Seat back | | 1 |

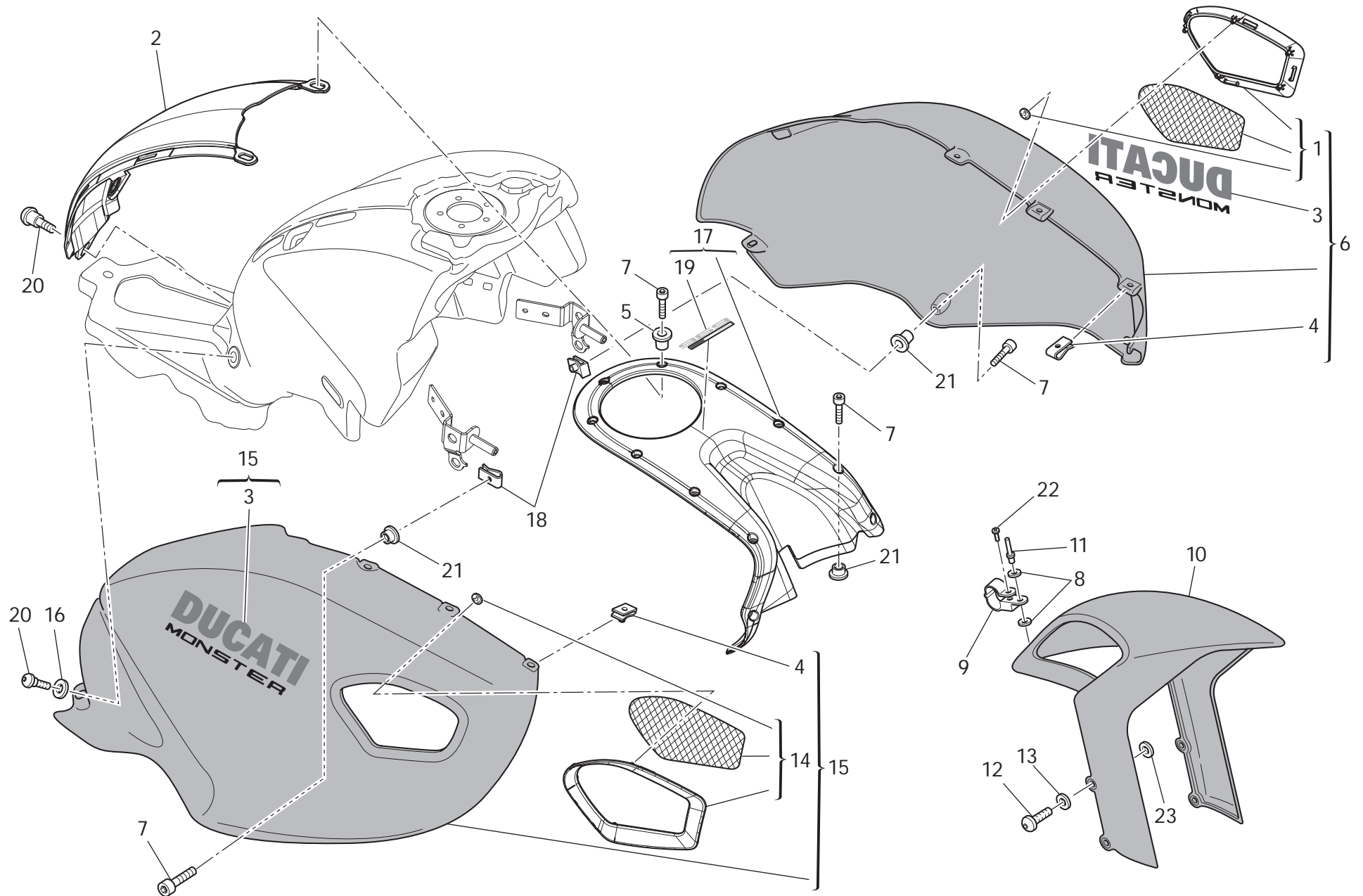
| NOTES NO. | CODE NO. | DESCRIPTION | VALIDITY | Q.TY  |
|-----------|----------|-------------|----------|--|
|-----------|----------|-------------|----------|--|

CATALOGUE No: 915.1.296.1D
ISSUED: 07 - 10

CATALOGUE No: 915.1.296.1D
ISSUED: 07 - 10

696 ABS


DRAWING **038** Fuel tank (cover)



696 ABS

DRAWING **038** Fuel tank (cover)

| NOTES NO. | CODE NO. | DESCRIPTION | VALIDITY | Q.TY  |
|-----------|---------------|-----------------------------------|----------|--|
| 1 | 484.2.074.1A | Air vent (L.H.) | | 1 |
| 2 | 480.1.264.1A | Cap (rear) | | 1 |
| 3 | 435.1.033.1AW | Sticker "DUCATI" (for RED) | | 2 |
| 3 | 435.1.033.1AB | Sticker "DUCATI" (for WHITE) | | 2 |
| 3 | 435.1.033.1AS | Sticker "DUCATI" (for MATT BLACK) | | 2 |
| 4 | 850.4.047.1A | Nut with clip | | 6 |
| 5 | 716.1.149.1A | Spacer | | 4 |
| 6 | 480.1.259.1DA | Cap (L.H.) (RED) | | 1 |
| 6 | 480.1.259.1DW | Cap (L.H.) (WHITE) | | 1 |
| 6 | 480.1.259.1DK | Cap (L.H.) (MATT BLACK) | | 1 |
| 7 | 773.5.039.3B | Screw | | 13 |
| 8 | 852.1.075.1B | Washer | | 2 |
| 9 | 850.1.209.1A | Hose guide | | 1 |
| 10 | 564.2.084.2AA | Front mudguard (RED) | | 1 |
| 10 | 564.2.084.2AW | Front mudguard (WHITE) | | 1 |
| 10 | 564.2.084.2AK | Front mudguard (MATT BLACK) | | 1 |
| 11 | 736.4.013.1B | Shear rivet | | 1 |
| 12 | 772.1.122.1A | Screw | | 4 |
| 13 | 856.1.127.1A | Washer | | 4 |
| 14 | 484.2.073.1A | Air vent (R.H.) | | 1 |
| 15 | 480.1.259.1CA | Cap (R.H.) (RED) | | 1 |
| 15 | 480.1.259.1CW | Cap (R.H.) (WHITE) | | 1 |
| 15 | 480.1.259.1CK | Cap (R.H.) (MATT BLACK) | | 1 |
| 16 | 852.1.218.1A | Nylon washer | | 2 |
| 17 | 480.1.263.1C | Cap (front) | | 1 |
| 18 | 850.4.055.1A | Nut with clip | | 2 |
| 19 | 435.1.035.1A | Sticker "696" | | 1 |

| NOTES NO. | CODE NO. | DESCRIPTION | VALIDITY | Q.TY  |
|-----------|--------------|---------------|----------|--|
| 20 | 772.1.085.3B | Special screw | | 5 |
| 21 | 716.1.408.1A | Spacer | | 8 |
| 22 | 774.4.010.1A | Screw | | 1 |
| 23 | 852.1.176.1A | Washer | | 2 |

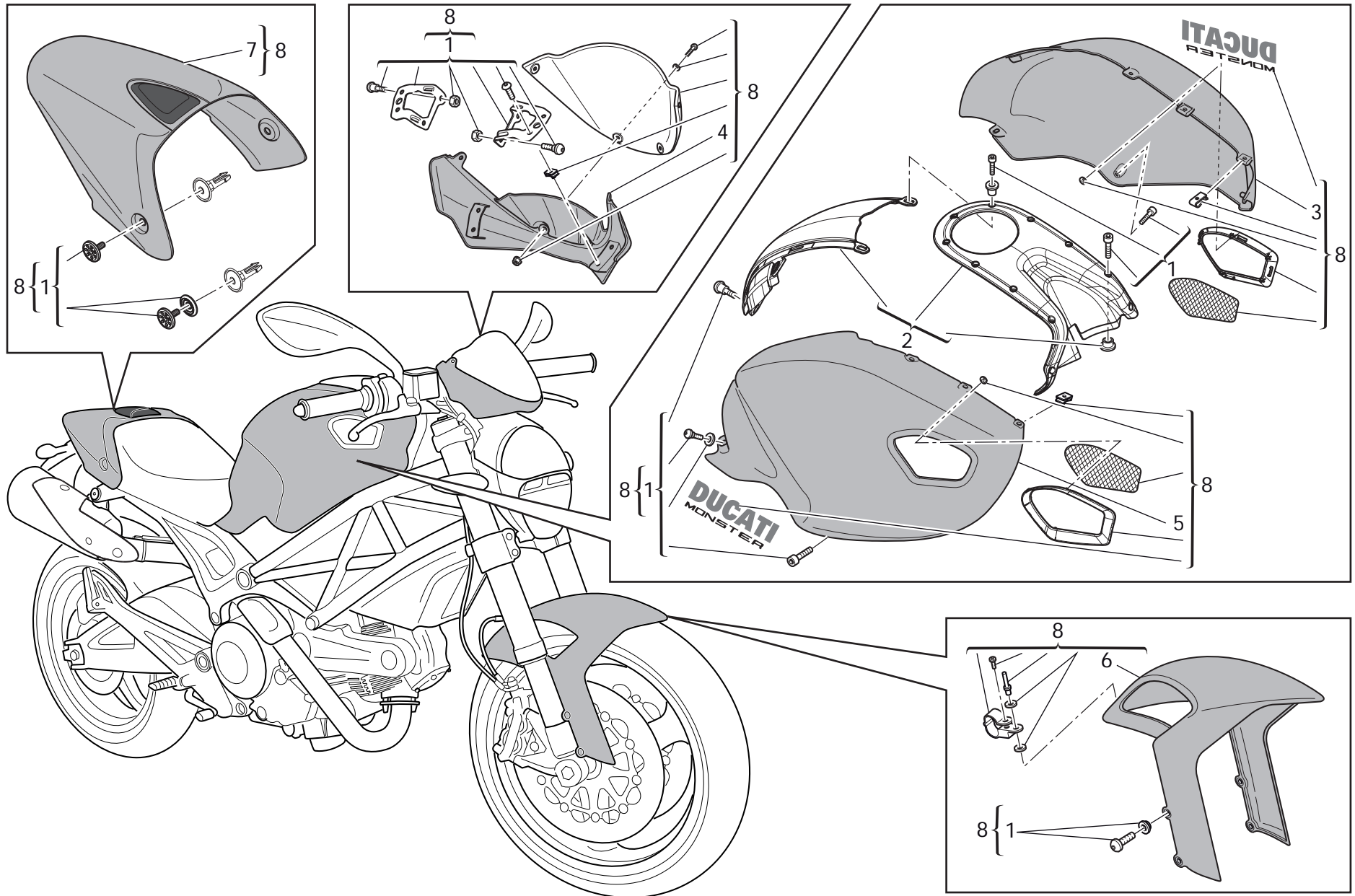
CATALOGUE No: 915.1.296.1D
ISSUED: 07 - 10

CATALOGUE No: 915.1.296.1D
ISSUED: 07 - 10

696 ABS

DRAWING **039**

'art' kit (696+)




696 ABS

DRAWING **039** 'art' kit (696+)

| NOTES NO. | CODE NO. | DESCRIPTION | VALIDITY | Q.TY  |
|-----------|----------------|---------------------------|----------|--|
| 1 | 699.2.456.1D | Small parts kit | | 1 |
| 2 | 699.2.457.1B | Caps kit (centre) | | 1 |
| 3 | 480.3.260.1B | Cap (L.H.) (Raw) | | 1 |
| 4 | 481.3.053.1A | Headlight fairing (Raw) | | 1 |
| 5 | 480.3.259.1B | Cap (R.H.) (Raw) | | 1 |
| 6 | 564.3.074.5A | Front mudguard (Raw) | | 1 |
| 7 | 595.3.098.1A | Cover seat (Raw) | | 1 |
| 8 | 699.2.458.1AZ | Caps kit (DISPLAY COLOUR) | | 1 |
| 8 | 699.2.458.1AZZ | Caps kit (TOTEM) | | 1 |
| 8 | 699.2.458.1BZ | Caps kit (DISPLAY ART) | | 1 |
| 8 | 699.2.458.3AA | Caps kit (RED) | | 1 |
| 8 | 699.2.458.3AC | Caps kit (DUCATI CORSE) | | 1 |
| 8 | 699.2.458.3AD | Caps kit (DARMAH) | | 1 |
| 8 | 699.2.458.3AE | Caps kit (IOM78) | | 1 |
| 8 | 699.2.458.3AF | Caps kit (SPORT 100) | | 1 |
| 8 | 699.2.458.3AG | Caps kit (GOLD) | | 1 |
| 8 | 699.2.458.3AH | Caps kit (AMARANTH) | | 1 |
| 8 | 699.2.458.3AI | Caps kit (IMOLA72) | | 1 |
| 8 | 699.2.458.3AJ | Caps kit (PANTAH) | | 1 |
| 8 | 699.2.458.3AK | Caps kit (DARK) | | 1 |
| 8 | 699.2.458.3AL | Caps kit (MAUVE) | | 1 |
| 8 | 699.2.458.3AM | Caps kit ("MARLBORO" RED) | | 1 |
| 8 | 699.2.458.3AP | Caps kit (ORANGE) | | 1 |
| 8 | 699.2.458.3AQ | Caps kit (BLUE) | | 1 |
| 8 | 699.2.458.3AR | Caps kit (AZURE) | | 1 |
| 8 | 699.2.458.3AS | Caps kit (SILVER) | | 1 |
| 8 | 699.2.458.3AT | Caps kit (MACH1) | | 1 |

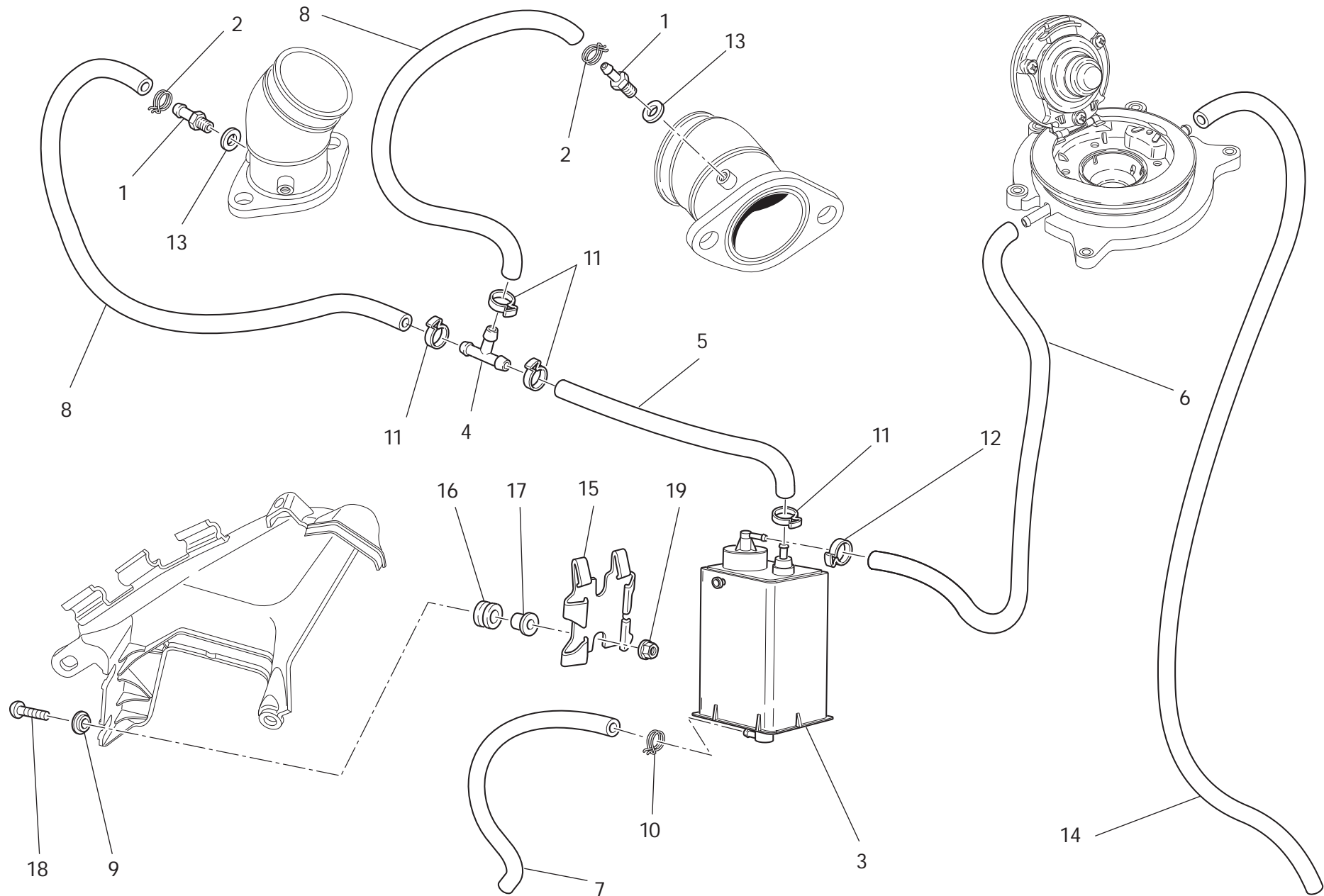
CATALOGUE No: 915.1.296.1D
ISSUED: 07 - 10

| NOTES NO. | CODE NO. | DESCRIPTION | VALIDITY | Q.TY  |
|-----------|---------------|-------------------|----------|--|
| 8 | 699.2.458.3AV | Caps kit (GREEN) | | 1 |
| 8 | 699.2.458.3AW | Caps kit (WHITE) | | 1 |
| 8 | 699.2.458.3AY | Caps kit (YELLOW) | | 1 |

CATALOGUE No: 915.1.296.1D
ISSUED: 07 - 10


696 ABS

DRAWING 040 Evaporative emissions canister



696 ABS

DRAWING **040** Evaporative emissions canister

| NOTES NO. | CODE NO. | DESCRIPTION | VALIDITY | Q.TY  |
|-----------|--------------|------------------|----------|--|
| 1 | 814.1.111.3B | Union | | 2 |
| 2 | 741.4.043.1A | Hose guide | | 2 |
| 3 | 426.1.007.1B | Canister filter | | 1 |
| 4 | 814.1.183.1A | Union "T" | | 1 |
| 5 | 590.1.338.1A | Tube 4x10x200 | | 1 |
| 6 | 590.1.336.1B | Breather pipe | | 1 |
| 7 | 590.1.245.1A | Tube 7x13x335 | | 1 |
| 8 | 590.1.339.1A | Tube 4x10x230 | | 2 |
| 9 | 716.1.401.1B | Spacer | | 2 |
| 10 | 741.4.057.1A | Hose guide | | 1 |
| 11 | 741.4.058.1A | Clamp | | 4 |
| 12 | 741.4.063.1A | Hose guide | | 2 |
| 13 | 852.5.023.1A | Gasket | | 2 |
| 14 | 590.1.337.1A | Tube 5.5x9.5x950 | | 1 |
| 15 | 827.1.157.1A | Plate | | 1 |
| 16 | 764.1.029.1A | Rubber pad | | 2 |
| 17 | 716.1.043.1C | Spacer | | 2 |
| 18 | 772.1.103.1A | Screw | | 2 |
| 19 | 747.5.010.1A | Nut | | 2 |

| NOTES NO. | CODE NO. | DESCRIPTION | VALIDITY | Q.TY  |
|-----------|----------|-------------|----------|--|
|-----------|----------|-------------|----------|--|

CATALOGUE No: 915.1.296.1D
ISSUED: 07 - 10

CATALOGUE No: 915.1.296.1D
ISSUED: 07 - 10

696 ABS

DRAWING **041**

Data plate positions

WARNING
DO NOT ATTEMPT TO LOOK THROUGH THIS FAIRING. THIS IS NOT A WINDSHIELD, BUT AN AERODYNAMIC FAIRING ONLY; FAILURE TO OBSERVE THIS WARNING COULD RESULT IN A COLLISION OR UPSET AND CONSEQUENT SERIOUS BODILY INJURY. Cod.433 1 165 1A

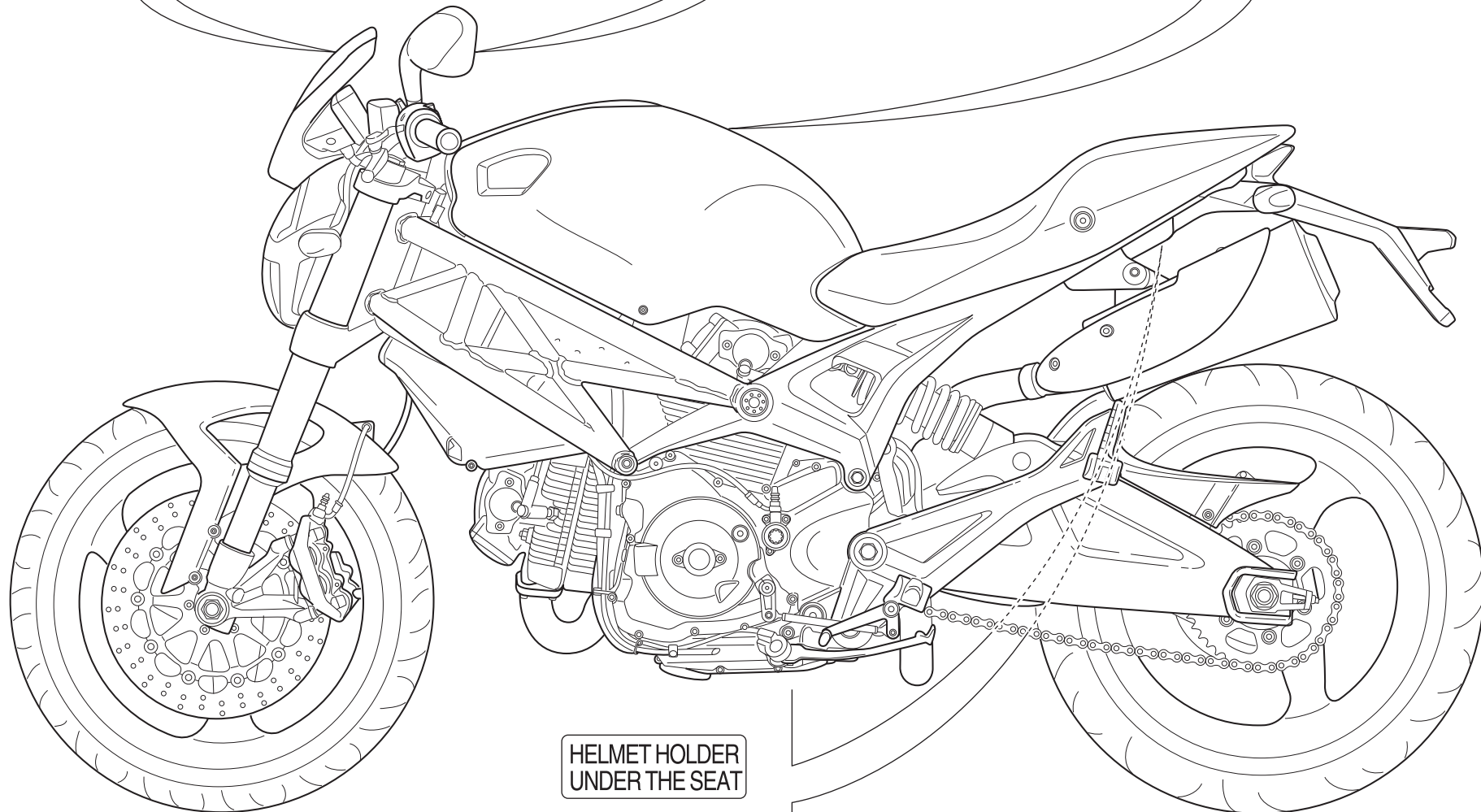
4

OBJECTS IN MIRROR ARE CLOSER THAN THEY APPEAR
Cod.433 1 165 1A

2

CAUTION
NEVER FILL TANK SO FUEL LEVEL RISES INTO FILLER NECK. IF TANK IS OVERFILLED, HEAT MAY CAUSE FUEL TO EXPAND AND FLOW INTO EVAPORATIVE EMISSION CONTROL SYSTEM RESULTING IN HARD STARTING AND ENGINE HESITATION. Cod.433 1 164 1A

3





HELMET HOLDER UNDER THE SEAT

1

696 ABS

DRAWING **041** Data plate positions

| NOTES NO. | CODE NO. | DESCRIPTION | VALIDITY | Q.TY  |
|-----------|--------------|-------------|----------|--|
| 1 | 433.1.170.1A | Sticker | | 1 |
| 2 | 433.1.166.1A | Label | | 2 |
| 3 | 433.1.164.1A | Sticker | | 1 |
| 4 | 433.1.165.1A | Sticker | | 1 |

| NOTES NO. | CODE NO. | DESCRIPTION | VALIDITY | Q.TY  |
|-----------|----------|-------------|----------|--|
|-----------|----------|-------------|----------|--|

696 ABS

Index

| CODE No. | Drwg. | POS. N. | CODE No. | Drwg. | POS. N. | CODE No. | Drwg. | POS. N. | CODE No. | Drwg. | POS. N. | CODE No. | Drwg. | POS. N. |
|-------------|-------|---------|--------------|-------|---------|--------------|-------|---------|---------------|-------|---------|---------------|-------|---------|
| | 014 | 1 | 0665.49.680 | 005 | 8 | 149.1.033.1A | 003 | 2 | 184.1.005.1A | 029 | 15 | 245.1.081.2A | 013 | 5 |
| | 014 | 2 | 0670.16.145 | 003 | 7 | 149.1.034.1A | 003 | 25 | 187.1.002.1A | 027 | 11 | 245.1.082.2A | 013 | 6 |
| | 015 | 1 | 0670.16.150 | 003 | 3 | 150.2.061.1A | 003 | 27 | 187.1.002.1A | 028 | 21 | 246.1.202.2A | 034 | 8 |
| | 015 | 2 | 0670.16.155 | 003 | 19 | 150.2.062.1A | 003 | 26 | 190.2.016.1A | 004 | 7 | 247.1.321.1B | 023 | 1 |
| 0000.49654 | 027 | 2 | 0670.16.170 | 003 | 17 | 158.2.018.2A | 006 | 5 | 194.2.020.1A | 004 | 5 | 247.1.322.1A | 022 | 13 |
| 0000.49655 | 028 | 10 | 0670.49.310 | 009 | 17 | 160.1.049.1A | 025 | 21 | 195.4.002.1A | 027 | 16 | 247.1.323.1A | 021 | 2 |
| 0124.40.060 | 008 | 12 | 0691.91.030 | 018 | 10 | 160.1.057.1A | 012 | 13 | 195.4.002.1A | 028 | 3 | 247.1.328.5A | 036 | 5 |
| 0250.70.223 | 016 | 20 | 0691.91.030 | 034 | 25 | 160.1.105.1A | 013 | 19 | 195.4.003.1A | 004 | 19 | 247.1.331.1A | 025 | 28 |
| 0251.47.054 | 003 | 1 | 0755.49.265 | 010 | 2 | 160.2.379.1A | 036 | 8 | 196.1.024.1A | 004 | 10 | 247.1.333.1A | 023 | 9 |
| 0272.91.090 | 002 | 8 | 0759.49.280 | 009 | 15 | 170.1.051.1A | 006 | 16 | 196.1.025.1A | 004 | 20 | 247.1.341.1A | 022 | 24 |
| 0340.13.075 | 002 | 11 | 0765.92.205 | 002 | 21 | 171.2.108.1A | 008 | 10 | 198.1.033.1A | 004 | 12 | 247.1.363.1A | 026 | 33 |
| 0340.13.080 | 002 | 12 | 0797.41.090 | 027 | 15 | 172.1.108.1A | 003 | 10 | 208.Z.001.1A | 014 | 14 | 254.4.001.2A | 005 | 4 |
| 0367.49.275 | 010 | 11 | 0799.13.110 | 002 | 27 | 172.1.109.1A | 003 | 8 | 208.Z.001.1A | 015 | 14 | 255.1.023.3A | 008 | 15 |
| 0370.84.005 | 020 | 1 | 1171.044.1A | 029 | 19 | 172.1.110.1A | 003 | 5 | 209.Z.001.1A | 014 | 16 | 255.1.024.3A | 013 | 3 |
| 0400.09.050 | 002 | 21 | 1171.099.1A | 031 | 30 | 172.1.111.1A | 003 | 9 | 209.Z.001.1A | 015 | 18 | 264.4.022.1A | 011 | 1 |
| 0400.29.125 | 002 | 31 | 1172.007.2A | 004 | 16 | 172.1.112.1A | 003 | 18 | 210.1.075.2B | 014 | 22 | 270.4.011.4A | 012 | 1 |
| 0400.29.126 | 002 | 31 | 120.2.122.3A | 007 | 4 | 172.1.113.1A | 003 | 24 | 210.1.075.2B | 015 | 6 | 276.1.025.1C | 012 | 16 |
| 0619.50.065 | 012 | 17 | 120.2.123.3A | 007 | 8 | 172.1.114.1A | 003 | 22 | 211.1.075.2B | 014 | 21 | 280.4.023.1A | 016 | 10 |
| 0647.70.010 | 014 | 12 | 121.1.174.1A | 007 | 2 | 172.1.115.1A | 003 | 21 | 211.1.075.2B | 015 | 7 | 282.4.084.2A | 016 | 1 |
| 0647.70.010 | 015 | 20 | 121.1.237.1A | 007 | 3 | 172.1.116.1A | 003 | 20 | 225.2.255.1D | 010 | 1 | 284.4.008.1A | 016 | 2 |
| 0660.13.070 | 002 | 13 | 121.2.053.1B | 007 | 1 | 172.1.117.1A | 003 | 23 | 235.2.040.1AC | 013 | 12 | 286.2.040.1A | 018 | 17 |
| 0660.13.143 | 002 | 9 | 122.2.157.1C | 007 | 9 | 173.Z.001.1A | 012 | 2 | 240.2.039.2A | 014 | 10 | 286.4.179.1C | 019 | 21 |
| 0660.13.165 | 002 | 25 | 140.2.063.2A | 016 | 11 | 174.1.038.1A | 009 | 12 | 240.2.039.2A | 015 | 12 | 286.4.179.1D | 019 | 21 |
| 0660.47.040 | 006 | 13 | 146.2.152.1A | 006 | 1 | 174.2.038.1D | 009 | 1 | 242.2.102.1CD | 011 | 19 | 287.4.024.1B | 016 | 8 |
| 0660.47.230 | 006 | 8 | 147.1.026.1A | 008 | 9 | 176.Z.001.1A | 012 | 10 | 243.2.118.1CC | 005 | 1 | 301.2.287.1BA | 014 | 17 |
| 0660.47.290 | 006 | 6 | 148.1.318.1A | 013 | 16 | 180.1.008.1A | 002 | 24 | 245.1.079.1A | 008 | 1 | 301.2.288.1BA | 015 | 17 |
| 0660.49.268 | 010 | 13 | 148.1.319.1A | 013 | 9 | 182.Z.001.1A | 002 | 18 | 245.1.080.1A | 008 | 4 | 303.1.041.1CA | 014 | 4 |

CATALOGUE No: 915.1.296.1D
ISSUED: 07 - 10

CATALOGUE No: 915.1.296.1D
ISSUED: 07 - 10

696 ABS

Index

| CODE No. | Drwg. | POS. N. | CODE No. | Drwg. | POS. N. | CODE No. | Drwg. | POS. N. | CODE No. | Drwg. | POS. N. | CODE No. | Drwg. | POS. N. |
|---------------|-------|---------|--------------|-------|---------|---------------|-------|---------|---------------|-------|---------|---------------|-------|---------|
| 303.1.041.1CA | 015 | 3 | 349.1.075.1A | 024 | 10 | 389.4.019.1A | 018 | 5 | 435.1.033.1AW | 038 | 3 | 465.1.061.1A | 031 | 2 |
| 303.1.041.1CB | 014 | 4 | 349.1.076.1A | 024 | 4 | 389.4.020.1A | 018 | 5 | 435.1.035.1A | 038 | 19 | 470.2.196.4AA | 030 | 1 |
| 303.1.041.1CB | 015 | 3 | 349.1.214.1A | 024 | 16 | 389.4.021.1A | 018 | 5 | 442.1.174.1B | 034 | 3 | 470.2.196.4AT | 030 | 1 |
| 303.1.041.1CC | 014 | 4 | 349.1.230.1A | 024 | 19 | 389.4.022.1A | 018 | 5 | 444.4.003.5A | 009 | 20 | 471.1.012.2B | 030 | 10 |
| 303.1.041.1CC | 015 | 3 | 349.1.232.1A | 024 | 18 | 389.4.023.1A | 018 | 5 | 447.1.073.1A | 032 | 1 | 471.1.013.2B | 030 | 7 |
| 303.1.066.1AA | 014 | 5 | 349.1.233.1A | 024 | 13 | 389.4.024.1A | 018 | 5 | 449.1.052.1A | 003 | 12 | 480.1.259.1CA | 038 | 15 |
| 303.1.066.1AA | 015 | 19 | 349.1.234.1A | 024 | 14 | 390.4.011.1A | 022 | 11 | 451.2.020.1A | 008 | 7 | 480.1.259.1CK | 038 | 15 |
| 303.1.066.1AB | 014 | 5 | 349.1.235.1A | 024 | 15 | 390.4.016.2A | 023 | 24 | 451.2.021.1A | 008 | 6 | 480.1.259.1CW | 038 | 15 |
| 303.1.066.1AB | 015 | 19 | 349.1.236.1A | 024 | 7 | 390.4.019.1A | 022 | 10 | 455.2.003.1A | 002 | 4 | 480.1.259.1DA | 038 | 6 |
| 303.1.066.1AC | 014 | 5 | 349.1.237.1A | 024 | 17 | 390.4.021.1A | 022 | 15 | 456.1.046.1B | 031 | 15 | 480.1.259.1DK | 038 | 6 |
| 303.1.066.1AC | 015 | 19 | 349.1.238.1A | 024 | 20 | 390.4.021.1A | 023 | 16 | 456.2.202.1A | 031 | 27 | 480.1.259.1DW | 038 | 6 |
| 304.1.090.1A | 014 | 19 | 349.1.239.1A | 024 | 6 | 390.4.028.1A | 022 | 9 | 457.2.046.1A | 029 | 9 | 480.1.263.1C | 038 | 17 |
| 304.1.090.1A | 015 | 5 | 349.1.240.1A | 024 | 8 | 391.1.003.3A | 023 | 27 | 460.1.324.2B | 020 | 13 | 480.1.264.1A | 038 | 2 |
| 304.1.090.1AB | 014 | 19 | 349.1.242.1A | 024 | 3 | 395.2.013.1C | 019 | 11 | 460.1.338.1A | 016 | 6 | 480.3.259.1B | 039 | 5 |
| 304.1.090.1AB | 015 | 5 | 349.1.243.1A | 024 | 9 | 397.4.003.1B | 019 | 15 | 460.1.343.1A | 037 | 15 | 480.3.260.1B | 039 | 3 |
| 304.1.090.1AC | 014 | 19 | 349.1.244.1A | 024 | 12 | 406.1.080.2A | 021 | 3 | 460.1.368.1A | 036 | 15 | 481.1.026.1AA | 021 | 10 |
| 304.1.090.1AC | 015 | 5 | 349.1.245.1A | 024 | 11 | 420.2.000.8A | 029 | 29 | 460.1.402.1A | 034 | 22 | 481.1.026.1AK | 021 | 10 |
| 304.1.091.1A | 014 | 3 | 349.1.246.1A | 024 | 21 | 425.4.015.1A | 036 | 10 | 460.1.403.1A | 034 | 18 | 481.1.026.1AW | 021 | 10 |
| 304.1.091.1A | 015 | 4 | 349.1.261.1A | 024 | 22 | 426.1.007.1B | 040 | 3 | 460.1.409.1A | 020 | 12 | 481.3.053.1A | 039 | 4 |
| 304.1.091.1AB | 014 | 3 | 360.1.097.2A | 026 | 16 | 426.1.025.1A | 034 | 9 | 460.1.410.1A | 020 | 33 | 484.1.068.1A | 037 | 5 |
| 304.1.091.1AB | 015 | 4 | 360.1.099.1A | 026 | 24 | 433.1.164.1A | 041 | 3 | 462.1.002.1A | 026 | 22 | 484.1.070.1A | 037 | 4 |
| 304.1.091.1AC | 014 | 3 | 360.1.101.1A | 026 | 31 | 433.1.165.1A | 041 | 4 | 462.3.010.5A | 036 | 14 | 484.1.071.1A | 037 | 1 |
| 304.1.091.1AC | 015 | 4 | 365.2.080.2A | 033 | 1 | 433.1.166.1A | 041 | 2 | 463.2.022.2A | 010 | 34 | 484.2.073.1A | 038 | 14 |
| 341.2.068.1A | 026 | 23 | 369.1.008.1A | 032 | 18 | 433.1.170.1A | 041 | 1 | 463.2.022.2A | 016 | 14 | 484.2.074.1A | 038 | 1 |
| 342.2.054.1A | 026 | 3 | 370.1.084.1C | 032 | 7 | 433.1.347.1A | 032 | 19 | 464.1.045.1A | 031 | 7 | 486.1.072.1A | 005 | 18 |
| 344.2.036.1A | 024 | 1 | 373.1.063.1A | 032 | 11 | 435.1.033.1AB | 038 | 3 | 464.1.046.1A | 031 | 29 | 487.1.026.1B | 021 | 13 |
| 345.2.036.1A | 024 | 2 | 380.1.015.1A | 019 | 3 | 435.1.033.1AS | 038 | 3 | 465.1.060.1A | 031 | 13 | 492.4.003.2A | 025 | 15 |

CATALOGUE No: 915.1.296.1D
ISSUED: 07 - 10

CATALOGUE No: 915.1.296.1D
ISSUED: 07 - 10

696 ABS

Index

| CODE No. | Drwg. | POS. N. | CODE No. | Drwg. | POS. N. | CODE No. | Drwg. | POS. N. | CODE No. | Drwg. | POS. N. | CODE No. | Drwg. | POS. N. |
|---------------|-------|---------|--------------|-------|---------|---------------|-------|---------|---------------|-------|---------|--------------|-------|---------|
| 492.4.029.1A | 025 | 5 | 529.1.010.1A | 023 | 13 | 556.1.048.1A | 017 | 3 | 590.1.337.1A | 040 | 14 | 618.4.086.1A | 028 | 24 |
| 494.1.029.1A | 025 | 23 | 530.1.022.4A | 022 | 14 | 556.2.051.1A | 017 | 1 | 590.1.338.1A | 040 | 5 | 618.4.092.1B | 028a | 8 |
| 497.2.001.2A | 025 | 2 | 530.1.022.4A | 023 | 4 | 559.1.008.2A | 037 | 8 | 590.1.339.1A | 040 | 8 | 618.4.106.2A | 028a | 7 |
| 497.2.003.1A | 025 | 12 | 530.1.023.4A | 022 | 20 | 561.1.043.2A | 023 | 3 | 593.1.018.1A | 009 | 5 | 619.4.043.1B | 028a | 9 |
| 501.2.131.1AB | 025 | 1 | 530.1.023.4A | 023 | 5 | 561.1.045.1A | 023 | 6 | 593.2.047.1A | 010 | 33 | 619.4.044.1B | 028a | 10 |
| 502.2.134.1AB | 025 | 13 | 539.1.021.1B | 002 | 6 | 564.2.084.2AA | 038 | 10 | 595.1.098.1AA | 037 | 16 | 624.4.065.1A | 028 | 1 |
| 504.1.004.1A | 025 | 29 | 539.1.023.4B | 017 | 5 | 564.2.084.2AK | 038 | 10 | 595.1.098.1AK | 037 | 16 | 625.4.004.1A | 029 | 17 |
| 504.1.006.1A | 025 | 30 | 539.4.003.1C | 029 | 13 | 564.2.084.2AW | 038 | 10 | 595.1.098.1AW | 037 | 16 | 626.4.013.1A | 029 | 26 |
| 510.1.639.1B | 018 | 11 | 539.4.030.2A | 005 | 6 | 564.3.074.5A | 039 | 6 | 595.1.099.1A | 037 | 19 | 626.4.059.1A | 028 | 11 |
| 510.1.658.1A | 002 | 16 | 539.4.034.1A | 027 | 13 | 565.1.040.1A | 032 | 13 | 595.2.007.4A | 037 | 10 | 626.4.060.1A | 027 | 3 |
| 510.1.698.1B | 018 | 6 | 539.4.063.1A | 028 | 5 | 570.1.279.2A | 020 | 3 | 595.3.098.1A | 039 | 7 | 626.4.060.1A | 028 | 6 |
| 513.1.022.1A | 019 | 10 | 540.4.011.1C | 018 | 7 | 571.1.269.3A | 020 | 4 | 598.1.012.1A | 023 | 21 | 626.4.061.1A | 027 | 7 |
| 514.1.032.1A | 001c | 9 | 541.4.010.1A | 018 | 15 | 572.1.149.1A | 020 | 5 | 598.2.061.1A | 023 | 8 | 626.4.070.1A | 028 | 2 |
| 514.1.033.1A | 001c | 13 | 542.4.019.1A | 028a | 6 | 573.1.309.1A | 020 | 7 | 598.2.062.1F | 035 | 7 | 626.4.071.1A | 027 | 4 |
| 514.1.035.1A | 001c | 10 | 552.1.037.1A | 001c | 4 | 574.1.306.1A | 020 | 8 | 598.4.028.1A | 026 | 39 | 630.4.051.1A | 027 | 1 |
| 514.1.036.1A | 001c | 10 | 552.1.038.1A | 001c | 5 | 576.1.065.1A | 020 | 28 | 598.4.029.1A | 026 | 40 | 631.4.016.1A | 029 | 28 |
| 514.1.037.1A | 001c | 6 | 552.1.039.1A | 001c | 19 | 576.1.066.1A | 020 | 27 | 610.4.103.1A | 028 | 7 | 632.1.054.1A | 027 | 6 |
| 514.1.038.1A | 001c | 14 | 552.1.040.1A | 001c | 11 | 585.4.008.1A | 029 | 23 | 610.4.104.1A | 028 | 18 | 650.1.007.1B | 026 | 25 |
| 514.1.058.1A | 019 | 16 | 552.1.149.1A | 020 | 2 | 586.3.171.1D | 035 | 1 | 611.4.034.1A | 029 | 20 | 651.1.009.1A | 026 | 14 |
| 514.1.064.1A | 019 | 13 | 552.1.212.1B | 028a | 2 | 590.1.189.1A | 001c | 1 | 612.4.005.1A | 027 | 12 | 652.4.014.1C | 026 | 30 |
| 516.4.004.2B | 018 | 4 | 552.1.218.1A | 028a | 5 | 590.1.190.1A | 001c | 2 | 612.4.005.1A | 028 | 22 | 654.2.003.2A | 026 | 20 |
| 518.4.005.1B | 026 | 37 | 552.4.012.1A | 016 | 7 | 590.1.245.1A | 040 | 7 | 612.4.008.1A | 029 | 31 | 656.1.086.1A | 026 | 26 |
| 520.1.017.2B | 022 | 21 | 552.4.048.2A | 036 | 12 | 590.1.313.1A | 034 | 12 | 612.4.014.1A | 028 | 20 | 657.1.022.1A | 026 | 18 |
| 523.4.022.2A | 026 | 8 | 552.4.132.1B | 010 | 37 | 590.1.328.1A | 016 | 12 | 612.4.016.1A | 029 | 30 | 658.4.002.1B | 026 | 29 |
| 523.4.023.2A | 026 | 9 | 552.4.144.1A | 016 | 13 | 590.1.329.1A | 036 | 3 | 612.4.017.1A | 028 | 8 | 669.1.001.1E | 014 | 18 |
| 525.1.034.2A | 023 | 2 | 552.4.145.2A | 007 | 12 | 590.1.330.1A | 036 | 4 | 613.4.061.1A | 028 | 19 | 669.1.001.1E | 015 | 15 |
| 529.1.001.2A | 024 | 23 | 556.1.018.1D | 017 | 9 | 590.1.336.1B | 040 | 6 | 613.4.087.1A | 029 | 3 | 670.4.035.1A | 019 | 5 |

CATALOGUE No: 915.1.296.1D
ISSUED: 07 - 10

CATALOGUE No: 915.1.296.1D
ISSUED: 07 - 10

696 ABS

Index

| CODE No. | Drwg. | POS. N. | CODE No. | Drwg. | POS. N. | CODE No. | Drwg. | POS. N. | CODE No. | Drwg. | POS. N. | CODE No. | Drwg. | POS. N. |
|----------------|-------|---------|---------------|-------|---------|--------------|-------|---------|---------------|-------|---------|--------------|-------|---------|
| 671.1.028.2B | 019 | 9 | 699.2.458.3AH | 039 | 8 | 702.5.008.1A | 010 | 20 | 713.1.421.1A | 022 | 28 | 72094.1616 | 010 | 10 |
| 671.1.031.2B | 019 | 4 | 699.2.458.3AI | 039 | 8 | 702.5.008.1A | 011 | 3 | 713.1.436.1A | 020 | 23 | 732.1.007.1A | 037 | 3 |
| 672.1.023.1A | 019 | 23 | 699.2.458.3AJ | 039 | 8 | 702.5.015.1A | 004 | 14 | 713.1.437.1A | 022 | 27 | 73500.1440 | 012 | 11 |
| 672.1.024.1A | 019 | 26 | 699.2.458.3AK | 039 | 8 | 702.5.038.1A | 004 | 6 | 713.1.442.1A | 037 | 12 | 73500.1542 | 002 | 15 |
| 676.2.071.1A | 025 | 10 | 699.2.458.3AL | 039 | 8 | 702.5.045.1A | 025 | 4 | 713.1.907.1A | 008 | 21 | 73503.3380 | 010 | 18 |
| 676.4.072.1A | 025 | 16 | 699.2.458.3AM | 039 | 8 | 702.5.050.1A | 025 | 17 | 713.1.915.1A | 002 | 29 | 73503.3380 | 011 | 2 |
| 677.4.008.2A | 025 | 27 | 699.2.458.3AP | 039 | 8 | 703.1.013.1A | 026 | 12 | 713.1.920.1A | 028a | 3 | 736.4.013.1B | 038 | 11 |
| 680.1.001.1B | 009 | 16 | 699.2.458.3AQ | 039 | 8 | 703.1.048.1A | 034 | 7 | 714.1.094.1A | 025 | 3 | 7374.024.2A | 008 | 19 |
| 680.1.013.1A | 006 | 10 | 699.2.458.3AR | 039 | 8 | 703.1.049.1A | 030 | 5 | 714.1.095.1A | 025 | 14 | 741.1.010.1A | 018 | 14 |
| 680.1.013.1A | 008 | 5 | 699.2.458.3AS | 039 | 8 | 703.5.006.2A | 008 | 18 | 716.1.022.1B | 019 | 19 | 741.1.012.1A | 034 | 26 |
| 680.1.013.1A | 013 | 8 | 699.2.458.3AT | 039 | 8 | 703.5.006.2A | 013 | 1 | 716.1.022.1B | 034 | 5 | 741.4.038.1A | 018 | 12 |
| 684.1.101.2A | 037 | 17 | 699.2.458.3AV | 039 | 8 | 710.1.041.2B | 025 | 22 | 716.1.043.1C | 040 | 17 | 741.4.043.1A | 029 | 4 |
| 697.2.024.1A | 037 | 7 | 699.2.458.3AW | 039 | 8 | 711.1.095.1A | 010 | 32 | 716.1.073.2A | 008 | 13 | 741.4.043.1A | 040 | 2 |
| 698.1.033.1A | 001c | 15 | 699.2.458.3AY | 039 | 8 | 711.1.126.1A | 007 | 11 | 716.1.099.1A | 008 | 17 | 741.4.057.1A | 040 | 10 |
| 699.2.345.1A | 036 | 11 | 699.2.610.1A | 030 | 20 | 711.1.128.1A | 010 | 39 | 716.1.107.1A | 020 | 25 | 741.4.058.1A | 040 | 11 |
| 699.2.453.1A | 011 | 9 | 700.1.005.1A | 025 | 18 | 711.1.160.1A | 005 | 13 | 716.1.146.1AB | 032 | 28 | 741.4.062.1A | 032 | 22 |
| 699.2.456.1D | 039 | 1 | 700.1.039.1A | 032 | 6 | 711.1.160.1A | 011 | 18 | 716.1.149.1A | 038 | 5 | 741.4.063.1A | 040 | 12 |
| 699.2.457.1B | 039 | 2 | 700.1.048.1B | 022 | 1 | 711.1.172.1A | 007 | 7 | 716.1.152.1A | 019 | 14 | 741.4.067.1A | 016 | 17 |
| 699.2.458.1AZ | 039 | 8 | 700.1.049.1A | 031 | 1 | 711.1.264.1A | 019 | 1 | 716.1.401.1B | 040 | 9 | 741.4.137.1A | 020 | 16 |
| 699.2.458.1AZZ | 039 | 8 | 700.1.054.1A | 026 | 10 | 712.1.034.1A | 029 | 14 | 716.1.406.1A | 022 | 25 | 741.4.171.1A | 034 | 11 |
| 699.2.458.1BZ | 039 | 8 | 701.4.003.1A | 012 | 3 | 712.1.034.1A | 031 | 22 | 716.1.408.1A | 038 | 21 | 741.4.180.1A | 016 | 3 |
| 699.2.458.3AA | 039 | 8 | 701.4.005.1A | 003 | 4 | 713.1.014.1E | 003 | 11 | 716.1.415.1A | 030 | 21 | 741.4.181.1A | 034 | 1 |
| 699.2.458.3AC | 039 | 8 | 701.4.024.1A | 012 | 7 | 713.1.119.1A | 004 | 15 | 716.1.416.1A | 020 | 17 | 74224.0570 | 006 | 7 |
| 699.2.458.3AD | 039 | 8 | 702.4.004.1A | 026 | 6 | 713.1.140.1A | 010 | 14 | 716.1.416.1A | 030 | 16 | 746.4.008.1A | 020 | 20 |
| 699.2.458.3AE | 039 | 8 | 702.4.040.1A | 010 | 9 | 713.1.197.3A | 025 | 9 | 716.1.421.1A | 034 | 15 | 7475.001.1AB | 031 | 24 |
| 699.2.458.3AF | 039 | 8 | 702.4.092.1A | 010 | 29 | 713.1.266.1A | 003 | 15 | 716.1.423.1A | 020 | 39 | 7475.003.1A | 029 | 10 |
| 699.2.458.3AG | 039 | 8 | 702.4.093.1A | 010 | 25 | 713.1.399.1A | 025 | 25 | 716.1.424.1A | 020 | 34 | 7475.005.1B | 029 | 25 |

CATALOGUE No: 915.1.296.1D
ISSUED: 07 - 10

CATALOGUE No: 915.1.296.1D
ISSUED: 07 - 10

696 ABS

Index

| CODE No. | Drwg. | POS. N. | CODE No. | Drwg. | POS. N. | CODE No. | Drwg. | POS. N. | CODE No. | Drwg. | POS. N. | CODE No. | Drwg. | POS. N. |
|---------------|-------|---------|---------------|-------|---------|--------------|-------|---------|--------------|-------|---------|--------------|-------|---------|
| 7475.005.1B | 031 | 14 | 750.5.005.1A | 019 | 25 | 764.1.087.1A | 015 | 21 | 771.1.369.1B | 035 | 10 | 771.5.125.0Z | 002 | 30 |
| 7475.007.1A | 026 | 1 | 75120.2567 | 010 | 12 | 764.1.090.1A | 019 | 18 | 771.1.373.1A | 026 | 17 | 771.5.129.8B | 009 | 8 |
| 7475.010.1A | 040 | 19 | 75794.1542 | 010 | 17 | 764.1.090.1A | 034 | 4 | 771.1.374.1A | 026 | 19 | 771.5.136.8B | 010 | 24 |
| 748.1.014.1C | 025 | 26 | 758.1.043.1A | 036 | 1 | 764.1.112.1A | 035 | 8 | 771.1.376.1A | 008 | 22 | 771.5.637.8B | 023 | 26 |
| 748.1.023.2B | 032 | 8 | 758.1.045.1A | 002 | 17 | 764.1.114.1A | 032 | 27 | 771.1.382.1A | 010 | 44 | 771.5.639.8B | 023 | 7 |
| 748.1.039.1A | 016 | 15 | 758.1.046.1A | 022 | 7 | 764.1.126.1A | 020 | 14 | 771.1.386.1A | 012 | 5 | 771.5.639.8B | 036 | 2 |
| 748.1.040.1A | 002 | 23 | 758.1.047.1C | 011 | 12 | 764.1.126.1A | 030 | 17 | 771.1.386.1A | 013 | 21 | 771.5.651.8B | 022 | 19 |
| 748.1.040.1A | 030 | 11 | 758.1.048.1A | 008 | 20 | 76400.0004 | 010 | 3 | 771.4.067.7C | 011 | 13 | 771.5.662.8B | 023 | 10 |
| 748.1.050.1A | 010 | 8 | 758.1.054.1B | 028 | 25 | 76402.0002 | 003 | 28 | 771.4.069.7C | 011 | 6 | 771.5.663.8B | 018 | 3 |
| 748.4.002.1A | 030 | 3 | 758.1.054.1B | 032 | 25 | 766.1.067.3B | 010 | 6 | 771.4.071.7C | 011 | 17 | 771.5.665.8B | 021 | 4 |
| 748.4.024.1AB | 025 | 20 | 758.1.055.1AA | 032 | 24 | 766.4.017.2A | 013 | 17 | 771.5.038.8B | 011 | 24 | 771.5.665.8B | 030 | 12 |
| 748.4.024.1AB | 026 | 11 | 758.1.056.1B | 032 | 26 | 766.4.018.1A | 013 | 18 | 771.5.040.8B | 011 | 21 | 771.5.667.8B | 018 | 9 |
| 748.4.024.1AB | 033 | 4 | 758.1.057.1A | 034 | 14 | 76835.1134 | 002 | 10 | 771.5.042.8B | 019 | 8 | 771.5.667.8B | 019 | 20 |
| 748.4.033.1A | 020 | 9 | 758.1.063.1A | 020 | 42 | 770.5.250.8B | 010 | 15 | 771.5.048.8B | 019 | 2 | 771.5.667.8B | 031 | 21 |
| 748.4.034.1B | 032 | 16 | 758.4.020.1A | 030 | 19 | 771.1.019.1A | 031 | 31 | 771.5.065.8B | 004 | 1 | 771.5.667.8B | 034 | 13 |
| 749.1.002.1A | 026 | 32 | 758.4.060.1A | 028a | 19 | 771.1.039.1A | 022 | 4 | 771.5.065.8B | 010 | 26 | 771.5.671.8B | 020 | 11 |
| 749.4.004.1A | 021 | 6 | 759.1.023.1A | 019 | 17 | 771.1.039.1A | 027 | 18 | 771.5.066.8B | 014 | 11 | 771.5.723.8B | 029 | 27 |
| 749.4.110.8B | 036 | 6 | 759.4.004.1A | 037 | 9 | 771.1.039.1A | 028 | 23 | 771.5.066.8B | 015 | 13 | 771.5.723.9E | 020 | 29 |
| 749.4.112.8B | 020 | 31 | 764.1.001.1A | 020 | 24 | 771.1.039.1A | 029 | 18 | 771.5.067.0Z | 002 | 28 | 771.5.725.8B | 024 | 5 |
| 749.4.145.8C | 017 | 10 | 764.1.011.2A | 029 | 8 | 771.1.044.1A | 022 | 8 | 771.5.069.8B | 005 | 5 | 771.5.725.8B | 026 | 7 |
| 749.5.004.1A | 031 | 17 | 764.1.011.2A | 031 | 28 | 771.1.048.1A | 017 | 2 | 771.5.069.8B | 009 | 10 | 771.5.727.8B | 026 | 41 |
| 750.1.007.1A | 004 | 8 | 764.1.024.1A | 023 | 18 | 771.1.049.1A | 008 | 3 | 771.5.072.8B | 010 | 31 | 771.5.935.8C | 033 | 2 |
| 750.1.012.2A | 006 | 14 | 764.1.029.1A | 040 | 16 | 771.1.049.1A | 013 | 10 | 771.5.073.8B | 011 | 16 | 771.5.941.8B | 026 | 34 |
| 750.1.028.1A | 021 | 11 | 764.1.050.1A | 035 | 11 | 771.1.051.8B | 012 | 6 | 771.5.078.8B | 012 | 12 | 772.1.010.3A | 008 | 8 |
| 750.1.153.1A | 030 | 14 | 764.1.063.1B | 037 | 14 | 771.1.052.1A | 008 | 2 | 771.5.080.8B | 010 | 27 | 772.1.042.3C | 028a | 1 |
| 750.1.155.1A | 023 | 28 | 764.1.064.1A | 022 | 5 | 771.1.235.1A | 022 | 23 | 771.5.081.8B | 005 | 3 | 772.1.059.1A | 029 | 21 |
| 750.5.001.1B | 022 | 3 | 764.1.087.1A | 014 | 6 | 771.1.369.1A | 023 | 14 | 771.5.083.8B | 005 | 2 | 772.1.062.1A | 003 | 14 |

CATALOGUE No: 915.1.296.1D
ISSUED: 07 - 10

CATALOGUE No: 915.1.296.1D
ISSUED: 07 - 10

696 ABS

Index

| CODE No. | Drwg. | POS. N. | CODE No. | Drwg. | POS. N. | CODE No. | Drwg. | POS. N. | CODE No. | Drwg. | POS. N. | CODE No. | Drwg. | POS. N. |
|--------------|-------|---------|---------------|-------|---------|---------------|-------|---------|--------------|-------|---------|--------------|-------|---------|
| 772.1.062.1A | 036 | 13 | 774.4.004.1A | 021 | 9 | 779.1.205.1AB | 031 | 19 | 779.4.075.1A | 011 | 14 | 799.1.260.1A | 015 | 9 |
| 772.1.085.2C | 032 | 2 | 774.4.004.1A | 023 | 17 | 779.1.206.1AB | 031 | 3 | 779.5.030.2A | 013 | 4 | 799.1.482.1A | 002 | 20 |
| 772.1.085.3B | 037 | 2 | 774.4.010.1A | 034 | 20 | 779.1.213.1A | 030 | 13 | 779.5.046.1A | 028a | 16 | 799.1.489.1A | 029 | 6 |
| 772.1.085.3B | 038 | 20 | 774.4.010.1A | 038 | 22 | 779.1.237.1B | 029 | 7 | 779.5.062.1A | 010 | 21 | 799.1.499.1A | 031 | 6 |
| 772.1.089.3B | 020 | 36 | 775.1.007.1AB | 021 | 15 | 779.1.331.1D | 028 | 17 | 780.1.007.1A | 020 | 18 | 799.2.088.1C | 017 | 7 |
| 772.1.097.1B | 020 | 38 | 775.1.011.1B | 022 | 17 | 779.1.366.1AB | 027 | 9 | 780.1.016.1A | 006 | 3 | 799.4.012.1A | 010 | 43 |
| 772.1.101.1B | 020 | 26 | 775.1.036.1A | 013 | 14 | 779.1.366.1AB | 029 | 1 | 780.1.018.1C | 009 | 6 | 8000.53724 | 034 | 27 |
| 772.1.103.1A | 040 | 18 | 775.1.054.1A | 028 | 16 | 779.1.397.1A | 027 | 10 | 780.1.037.1A | 010 | 35 | 8000.66774 | 026 | 27 |
| 772.1.106.1A | 018 | 1 | 775.5.001.3C | 021 | 1 | 779.1.397.1A | 028 | 27 | 780.5.001.2A | 005 | 17 | 8000.70139 | 001a | 2 |
| 772.1.113.1A | 037 | 18 | 775.5.021.1A | 010 | 38 | 779.1.399.1A | 025 | 7 | 786.1.104.1A | 007 | 10 | 8000.78345 | 026 | 15 |
| 772.1.114.1A | 032 | 21 | 775.5.021.1A | 013 | 15 | 779.1.404.1A | 006 | 9 | 786.1.106.1A | 007 | 6 | 801.1.027.1A | 016 | 4 |
| 772.1.122.1A | 038 | 12 | 775.5.021.3C | 025 | 24 | 779.1.415.1A | 028 | 15 | 787.1.011.1A | 010 | 19 | 801.1.031.1A | 016 | 16 |
| 772.4.046.3C | 034 | 21 | 775.5.025.1A | 021 | 7 | 779.1.465.1A | 028 | 13 | 788.1.054.2A | 012 | 4 | 806.1.028.1A | 020 | 41 |
| 772.4.048.3C | 034 | 16 | 7775.034.3B | 035 | 3 | 779.1.501.1A | 005 | 7 | 788.1.104.1A | 016 | 18 | 808.1.046.1A | 032 | 15 |
| 772.4.058.3C | 030 | 9 | 7775.049.8C | 011 | 10 | 779.1.504.1A | 033 | 5 | 791.2.046.1A | 007 | 5 | 814.1.111.3B | 040 | 1 |
| 772.5.071.8B | 028a | 17 | 778.5.016.1A | 009 | 25 | 779.1.535.1A | 030 | 6 | 797.1.017.1A | 004 | 21 | 814.1.114.1A | 001c | 8 |
| 772.5.097.8B | 035 | 5 | 778.5.028.1A | 026 | 2 | 779.1.536.1A | 030 | 4 | 797.1.022.1A | 004 | 4 | 814.1.183.1A | 040 | 4 |
| 772.5.101.8B | 026 | 28 | 779.1.026.2A | 011 | 4 | 779.1.537.1A | 026 | 38 | 799.1.024.1A | 031 | 12 | 814.1.303.1A | 016 | 5 |
| 773.1.007.1A | 025 | 6 | 779.1.039.1A | 002 | 3 | 779.1.543.2B | 035 | 13 | 799.1.048.5A | 020 | 10 | 814.1.323.1A | 016 | 19 |
| 773.5.006.8B | 016 | 9 | 779.1.109.2A | 006 | 2 | 779.1.545.1B | 032 | 12 | 799.1.049.1A | 002 | 1 | 815.1.028.1A | 009 | 21 |
| 773.5.038.8B | 018 | 13 | 779.1.133.1A | 014 | 8 | 779.1.547.1A | 006 | 4 | 799.1.051.2A | 006 | 15 | 818.1.015.1A | 004 | 3 |
| 773.5.038.8B | 019 | 22 | 779.1.133.1A | 015 | 23 | 779.1.555.1A | 023 | 23 | 799.1.055.1A | 009 | 7 | 819.1.017.1D | 025 | 8 |
| 773.5.038.8B | 034 | 6 | 779.1.151.1A | 032 | 3 | 779.1.560.1A | 023 | 19 | 799.1.058.1A | 026 | 13 | 819.1.066.2A | 032 | 10 |
| 773.5.039.3B | 038 | 7 | 779.1.162.2A | 009 | 24 | 779.1.566.1B | 037 | 13 | 799.1.089.1C | 017 | 6 | 821.1.001.1A | 002 | 26 |
| 773.5.072.8B | 020 | 15 | 779.1.198.2A | 009 | 23 | 779.1.569.1A | 036 | 7 | 799.1.212.1A | 014 | 13 | 821.1.009.1B | 025 | 19 |
| 773.5.489.8B | 030 | 18 | 779.1.198.2A | 011 | 8 | 779.1.631.1A | 011 | 23 | 799.1.212.1A | 015 | 16 | 821.1.090.1B | 031 | 4 |
| 773.5.506.8B | 020 | 30 | 779.1.203.3A | 002 | 7 | 779.4.005.3A | 017 | 4 | 799.1.260.1A | 014 | 7 | 821.1.170.1A | 029 | 5 |

CATALOGUE No: 915.1.296.1D
ISSUED: 07 - 10

CATALOGUE No: 915.1.296.1D
ISSUED: 07 - 10

696 ABS

Index

| CODE No. | Drwg. | POS. N. | CODE No. | Drwg. | POS. N. | CODE No. | Drwg. | POS. N. | CODE No. | Drwg. | POS. N. | CODE No. | Drwg. | POS. N. |
|--------------|-------|---------|--------------|-------|---------|--------------|-------|---------|--------------|-------|---------|--------------|-------|---------|
| 821.1.170.1A | 031 | 26 | 829.1.973.1D | 030 | 8 | 840.1.016.1A | 14/15 | 1 | 840.1.049.2B | 14/15 | 2 | 840.1.076.2B | 14/15 | 2 |
| 821.1.257.1B | 012 | 8 | 829.1.976.1B | 022 | 26 | 840.1.017.1A | 14/15 | 1 | 840.1.050.2B | 14/15 | 2 | 840.1.077.2B | 14/15 | 2 |
| 821.Z.001.1B | 014 | 15 | 829.1.991.1A | 034 | 23 | 840.1.018.1A | 14/15 | 1 | 840.1.051.2B | 14/15 | 2 | 840.1.078.2B | 14/15 | 2 |
| 821.Z.001.1B | 015 | 10 | 829.1.992.1A | 034 | 19 | 840.1.019.1A | 14/15 | 1 | 840.1.052.2B | 14/15 | 2 | 840.1.079.2B | 14/15 | 2 |
| 824.1.144.1B | 031 | 8 | 830.1.284.1A | 011 | 20 | 840.1.020.1A | 14/15 | 1 | 840.1.053.2B | 14/15 | 2 | 840.1.080.2B | 14/15 | 2 |
| 824.1.145.1B | 031 | 18 | 830.1.364.1A | 022 | 6 | 840.1.021.1A | 14/15 | 1 | 840.1.054.2B | 14/15 | 2 | 840.1.081.2B | 14/15 | 2 |
| 825.1.042.2A | 029 | 24 | 830.1.479.1A | 028 | 4 | 840.1.022.1A | 14/15 | 1 | 840.1.055.2B | 14/15 | 2 | 840.1.082.2B | 14/15 | 2 |
| 826.1.011.1A | 003 | 13 | 830.1.542.2A | 028a | 4 | 840.1.023.1A | 14/15 | 1 | 840.1.056.2B | 14/15 | 2 | 840.1.083.2B | 14/15 | 2 |
| 826.1.029.2A | 002 | 33 | 830.1.569.1A | 028a | 12 | 840.1.024.1A | 14/15 | 1 | 840.1.057.2B | 14/15 | 2 | 840.1.084.2B | 14/15 | 2 |
| 827.1.139.2B | 017 | 8 | 830.1.576.1B | 028a | 13 | 840.1.025.1A | 14/15 | 1 | 840.1.058.2B | 14/15 | 2 | 840.1.085.2B | 14/15 | 2 |
| 827.1.157.1A | 040 | 15 | 830.2.482.1C | 020 | 6 | 840.1.026.1A | 14/15 | 1 | 840.1.059.2B | 14/15 | 2 | 840.1.086.2B | 14/15 | 2 |
| 827.1.161.1B | 031 | 10 | 832.1.026.1B | 032 | 14 | 840.1.027.1A | 14/15 | 1 | 840.1.060.2B | 14/15 | 2 | 840.1.087.2B | 14/15 | 2 |
| 827.1.433.1A | 005 | 19 | 840.1.001.1A | 14/15 | 1 | 840.1.028.1A | 14/15 | 1 | 840.1.061.2B | 14/15 | 2 | 847.4.002.1A | 031 | 9 |
| 827.1.478.1A | 035 | 12 | 840.1.002.1A | 14/15 | 1 | 840.1.029.1A | 14/15 | 1 | 840.1.062.2B | 14/15 | 2 | 847.4.006.1A | 010 | 42 |
| 827.1.479.1A | 035 | 9 | 840.1.003.1A | 14/15 | 1 | 840.1.030.1A | 14/15 | 1 | 840.1.063.2B | 14/15 | 2 | 848.5.001.1A | 031 | 23 |
| 827.1.482.1A | 023 | 20 | 840.1.004.1A | 14/15 | 1 | 840.1.031.1A | 14/15 | 1 | 840.1.064.2B | 14/15 | 2 | 848.5.002.1A | 031 | 16 |
| 827.1.493.1A | 022 | 18 | 840.1.005.1A | 14/15 | 1 | 840.1.032.1A | 14/15 | 1 | 840.1.065.2B | 14/15 | 2 | 850.1.015.1A | 029 | 11 |
| 827.1.493.1A | 023 | 22 | 840.1.006.1A | 14/15 | 1 | 840.1.033.1A | 14/15 | 1 | 840.1.066.2B | 14/15 | 2 | 850.1.209.1A | 038 | 9 |
| 827.1.607.1A | 020 | 22 | 840.1.007.1A | 14/15 | 1 | 840.1.034.1A | 14/15 | 1 | 840.1.067.2B | 14/15 | 2 | 850.4.038.1A | 018 | 8 |
| 827.1.608.1A | 020 | 21 | 840.1.008.1A | 14/15 | 1 | 840.1.041.2B | 14/15 | 2 | 840.1.068.2B | 14/15 | 2 | 850.4.038.1A | 020 | 32 |
| 829.1.961.1A | 034 | 10 | 840.1.009.1A | 14/15 | 1 | 840.1.042.2B | 14/15 | 2 | 840.1.069.2B | 14/15 | 2 | 850.4.047.1A | 021 | 12 |
| 829.1.964.1B | 019 | 6 | 840.1.010.1A | 14/15 | 1 | 840.1.043.2B | 14/15 | 2 | 840.1.070.2B | 14/15 | 2 | 850.4.047.1A | 022 | 12 |
| 829.1.967.3A | 022 | 16 | 840.1.011.1A | 14/15 | 1 | 840.1.044.2B | 14/15 | 2 | 840.1.071.2B | 14/15 | 2 | 850.4.047.1A | 023 | 15 |
| 829.1.968.1A | 021 | 8 | 840.1.012.1A | 14/15 | 1 | 840.1.045.2B | 14/15 | 2 | 840.1.072.2B | 14/15 | 2 | 850.4.047.1A | 038 | 4 |
| 829.1.969.1B | 030 | 15 | 840.1.013.1A | 14/15 | 1 | 840.1.046.2B | 14/15 | 2 | 840.1.073.2B | 14/15 | 2 | 850.4.052.1A | 023 | 11 |
| 829.1.970.1A | 033 | 3 | 840.1.014.1A | 14/15 | 1 | 840.1.047.2B | 14/15 | 2 | 840.1.074.2B | 14/15 | 2 | 850.4.055.1A | 032 | 20 |
| 829.1.971.1A | 021 | 5 | 840.1.015.1A | 14/15 | 1 | 840.1.048.2B | 14/15 | 2 | 840.1.075.2B | 14/15 | 2 | 850.4.055.1A | 038 | 18 |

CATALOGUE No: 915.1.296.1D
ISSUED: 07 - 10

CATALOGUE No: 915.1.296.1D
ISSUED: 07 - 10

696 ABS

Index

| CODE No. | Drwg. | POS. N. | CODE No. | Drwg. | POS. N. | CODE No. | Drwg. | POS. N. | CODE No. | Drwg. | POS. N. | CODE No. | Drwg. | POS. N. |
|--------------|-------|---------|--------------|-------|---------|--------------|-------|---------|--------------|-------|---------|--------------|-------|---------|
| 850.4.067.1A | 030 | 2 | 852.1.104.2F | 006 | 11 | 852.1.275.1A | 032 | 23 | 856.1.071.1A | 012 | 9 | 882.1.003.1A | 008 | 14 |
| 851.1.013.1A | 008 | 11 | 852.1.104.2G | 006 | 11 | 852.5.004.1C | 020 | 37 | 856.1.074.2A | 013 | 20 | 882.1.012.1A | 012 | 15 |
| 851.1.019.1A | 006 | 12 | 852.1.104.2I | 006 | 11 | 852.5.005.1A | 009 | 18 | 856.1.127.1A | 038 | 13 | 884.4.007.1A | 032 | 4 |
| 851.1.020.1A | 004 | 9 | 852.1.104.2J | 006 | 11 | 852.5.023.1A | 010 | 41 | 863.1.002.1A | 012 | 14 | 884.4.053.1A | 010 | 4 |
| 852.1.001.1B | 032 | 17 | 852.1.120.1A | 009 | 3 | 852.5.023.1A | 014 | 23 | 866.1.030.1A | 019 | 7 | 884.5.003.1A | 031 | 5 |
| 852.1.002.1B | 032 | 17 | 852.1.120.1A | 011 | 22 | 852.5.023.1A | 015 | 22 | 866.1.030.1A | 028a | 18 | 884.5.008.1A | 025 | 11 |
| 852.1.003.1B | 032 | 17 | 852.1.135.1A | 005 | 10 | 852.5.023.1A | 040 | 13 | 866.1.030.1A | 034 | 24 | 884.5.013.1A | 005 | 11 |
| 852.1.005.1A | 002 | 14 | 852.1.151.1A | 029 | 12 | 852.5.024.1A | 002 | 5 | 866.1.030.1A | 037 | 11 | 884.5.034.1A | 002 | 22 |
| 852.1.024.1A | 021 | 14 | 852.1.151.1A | 031 | 20 | 852.5.024.1A | 005 | 16 | 866.1.058.1A | 034 | 17 | 884.5.034.1B | 032 | 9 |
| 852.1.049.1B | 026 | 35 | 852.1.157.1A | 032 | 5 | 852.5.024.1A | 010 | 30 | 866.1.098.1A | 019 | 12 | 884.5.039.1A | 009 | 14 |
| 852.1.053.2A | 002 | 2 | 852.1.160.1B | 023 | 25 | 852.5.024.1A | 020 | 19 | 866.1.099.1A | 035 | 15 | 886.4.033.1A | 010 | 23 |
| 852.1.065.1B | 031 | 11 | 852.1.172.1A | 009 | 11 | 852.5.024.1A | 027 | 8 | 866.1.112.1A | 030 | 22 | 886.4.037.1A | 009 | 4 |
| 852.1.065.1C | 035 | 14 | 852.1.173.1A | 013 | 2 | 852.5.024.1A | 028 | 12 | 866.4.003.1A | 028a | 14 | 886.4.043.1A | 004 | 17 |
| 852.1.072.1A | 020 | 35 | 852.1.174.1A | 009 | 9 | 852.5.024.1A | 028a | 11 | 866.4.004.1A | 035 | 4 | 886.4.049.1A | 036 | 9 |
| 852.1.075.1B | 038 | 8 | 852.1.176.1A | 011 | 15 | 852.5.024.1A | 029 | 2 | 866.4.005.1A | 028a | 15 | 886.4.060.2A | 013 | 11 |
| 852.1.094.1A | 002 | 19 | 852.1.176.1A | 022 | 22 | 852.5.026.1A | 011 | 5 | 872.1.028.1A | 026 | 21 | 886.4.064.1A | 023 | 12 |
| 852.1.103.1A | 026 | 4 | 852.1.176.1A | 027 | 17 | 852.5.028.1A | 020 | 40 | 872.1.053.1A | 018 | 16 | 886.4.116.1A | 029 | 32 |
| 852.1.104.1H | 006 | 11 | 852.1.176.1A | 028 | 14 | 852.5.040.1A | 026 | 36 | 873.1.037.1A | 009 | 2 | 886.4.116.1A | 031 | 25 |
| 852.1.104.1K | 006 | 11 | 852.1.176.1A | 038 | 23 | 853.1.003.1A | 010 | 40 | 875.1.065.1A | 001c | 3 | 886.4.132.1A | 005 | 12 |
| 852.1.104.1L | 006 | 11 | 852.1.177.1A | 004 | 2 | 853.5.010.1A | 019 | 24 | 876.1.104.1B | 034 | 2 | 886.4.132.1A | 009 | 22 |
| 852.1.104.1M | 006 | 11 | 852.1.177.1A | 020 | 43 | 855.5.000.1B | 018 | 2 | 877.1.149.1A | 029 | 16 | 886.4.132.1A | 010 | 28 |
| 852.1.104.1N | 006 | 11 | 852.1.195.1A | 005 | 14 | 855.5.000.1B | 022 | 2 | 881.1.010.1C | 012 | 18 | 886.4.138.1A | 014 | 9 |
| 852.1.104.2A | 006 | 11 | 852.1.195.1A | 009 | 13 | 856.1.001.1A | 003 | 6 | 881.1.012.1A | 002 | 32 | 886.4.138.1A | 015 | 11 |
| 852.1.104.2B | 006 | 11 | 852.1.196.1B | 035 | 6 | 856.1.014.1A | 004 | 11 | 881.1.026.1A | 004 | 13 | 886.4.140.1A | 014 | 20 |
| 852.1.104.2C | 006 | 11 | 852.1.197.1A | 013 | 13 | 856.1.031.1A | 003 | 16 | 881.1.035.1A | 027 | 14 | 886.4.140.1A | 015 | 8 |
| 852.1.104.2D | 006 | 11 | 852.1.218.1A | 038 | 16 | 856.1.062.2A | 008 | 16 | 881.1.063.1A | 011 | 7 | 886.4.173.1A | 004 | 18 |
| 852.1.104.2E | 006 | 11 | 852.1.246.1A | 013 | 22 | 856.1.064.2A | 010 | 7 | 881.1.074.1A | 028 | 26 | 88700.5749 | 001 | 20 |

CATALOGUE No: 915.1.296.1D
ISSUED: 07 - 10

CATALOGUE No: 915.1.296.1D
ISSUED: 07 - 10

696 ABS

Index

| CODE No. | Drwg. | POS. N. | CODE No. | Drwg. | POS. N. | CODE No. | Drwg. | POS. N. | CODE No. | Drwg. | POS. N. | CODE No. | Drwg. | POS. N. |
|------------|-------|---------|--------------|-------|---------|-------------|-------|---------|----------|-------|---------|----------|-------|---------|
| 88713.0123 | 001 | 5 | 88713.2916 | 001 | 24 | 93783.1524 | 011 | 11 | | | | | | |
| 88713.0137 | 001 | 11 | 88713.3166 | 001a | 5 | 94247.0014 | 010 | 5 | | | | | | |
| 88713.0957 | 001a | 4 | 88713.3218 | 001 | 1 | 97900.0002 | 001b | 2 | | | | | | |
| 88713.0958 | 001a | 10 | 88713.3334 | 001 | 21 | 97900.0003 | 001c | 23 | | | | | | |
| 88713.1010 | 001a | 7 | 88713.3367 | 001 | 26 | 97900.0215 | 001b | 1 | | | | | | |
| 88713.1058 | 001a | 9 | 88713.3394 | 001 | 25 | 97900.0216 | 001b | 5 | | | | | | |
| 88713.1062 | 001a | 1 | 88713.3396 | 001a | 11 | 97900.0217 | 001b | 15 | | | | | | |
| 88713.1072 | 001a | 6 | 88765.1126C | 001c | 24 | 97900.0218 | 001c | 18 | | | | | | |
| 88713.1096 | 001a | 8 | 88765.1126T | 001c | 16 | 97900.0219 | 001b | 10 | | | | | | |
| 88713.1344 | 001a | 3 | 88765.1297 | 001 | 23 | 97900.0220 | 001c | 21 | | | | | | |
| 88713.1749 | 001 | 18 | 88765.1298 | 001 | 22 | 97900.0221 | 001c | 22 | | | | | | |
| 88713.1805 | 001 | 8 | 88765.1371 | 001b | 3 | 97900.0222 | 001b | 9 | | | | | | |
| 88713.1994 | 001 | 4 | 88765.1374 | 001b | 4 | 97900.0223 | 001b | 11 | | | | | | |
| 88713.2011 | 001 | 17 | 88765.1581 | 001 | 13 | 97900.0224 | 001b | 6 | | | | | | |
| 88713.2036 | 001 | 19 | 893.2.006.2A | 010 | 36 | 97900.0225 | 001b | 8 | | | | | | |
| 88713.2092 | 001 | 12 | 893.2.012.1A | 005 | 15 | 97900.0226 | 001b | 12 | | | | | | |
| 88713.2103 | 001 | 3 | 893.4.005.1A | 029 | 22 | 97900.0227 | 001c | 25 | | | | | | |
| 88713.2282 | 001 | 7 | 893.4.009.1A | 028 | 9 | 97900.0227S | 001c | 7 | | | | | | |
| 88713.2355 | 001 | 28 | 893.4.010.1A | 027 | 5 | 97900.0228 | 001c | 12 | | | | | | |
| 88713.2423 | 001 | 6 | 894.2.009.1A | 009 | 19 | 97900.0229 | 001b | 13 | | | | | | |
| 88713.2442 | 001 | 10 | 895.2.019.1C | 035 | 2 | 97900.0230 | 001c | 20 | | | | | | |
| 88713.2556 | 001 | 15 | 913.7.147.1F | 037 | 6 | 97900.0231 | 001c | 17 | | | | | | |
| 88713.2591 | 001 | 14 | 930.1.004.1B | 026 | 5 | 97900.0232 | 001b | 7 | | | | | | |
| 88713.2651 | 001 | 27 | 930.4.021.1A | 005 | 9 | 97900.0234 | 001b | 14 | | | | | | |
| 88713.2676 | 001 | 2 | 930.4.061.1A | 013 | 7 | | | | | | | | | |
| 88713.2878 | 001 | 9 | 930.4.093.1A | 010 | 22 | | | | | | | | | |
| 88713.2906 | 001 | 16 | 930.4.123.1A | 010 | 16 | | | | | | | | | |

CATALOGUE No: 915.1.296.1D
ISSUED: 07 - 10

CATALOGUE No: 915.1.296.1D
ISSUED: 07 - 10