

Spare parts catalogue **848^{EVO}**

Model year 2011
U.S.A.



SUPERBIKE

Revision n°00

Spare parts catalogue part number: 915.1.280.1G

Shop Ducati OEM Parts at www.ducatiperformance.com

848 EVO

GENERAL INFORMATION

The present spare parts order exactly the right spare parts

When ordering specify:

1) the part's code number followed by its description; quantity needed;

2) the motorcycle's serial number, stamped on the steering head.

Reference to right and left apply to the vehicle in terms of its direction of movement.

Spare parts drawings are general and do not represent the part.

The contents of this catalogue are general and can undergo changes without prior notice.

VALIDITY

f.m. Until V.I.N.
d.m. From V.I.N.
f.m.m. Up to engine number
d.m.m. From engine number

LIST

CAL California
CDN Canada

Ducati Motor Holding S.p.A.
Commercial and Administration Office:
Via A. Cavalieri Ducati n. 3
40132 Bologna, Italy
Telefono 051 6413111
Fax 051 406580
Internet www.ducati.com

CATALOGUE No: 915.1.280.1G
ISSUED: 06 - 10

CATALOGUE No: 915.1.280.1G
ISSUED: 06 - 10

848^{EVO}

Paints

Paint	Code
-------	------

"Rosso Anniversary DUCATI"	(PPG) 473.101
----------------------------	---------------

"Base Bianco Perla"	(LECHLER) L2909004
---------------------	--------------------

"Fondo Artico White"	(LECHLER) L2920057
----------------------	--------------------

"Trasparente opaco"	(Palinal) 923I0652
---------------------	--------------------

Nero Black Stealth	
--------------------	--

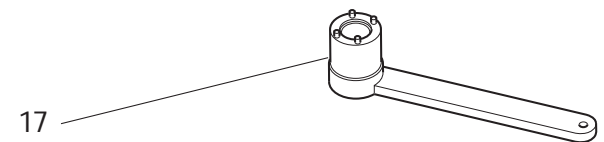
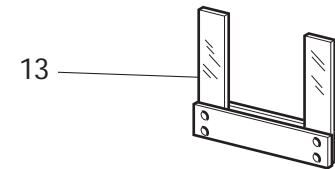
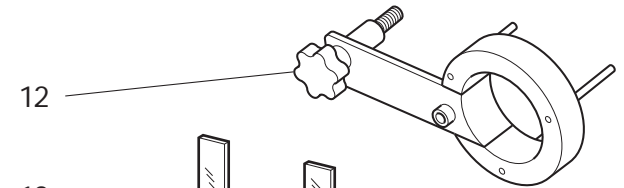
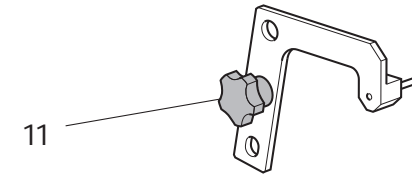
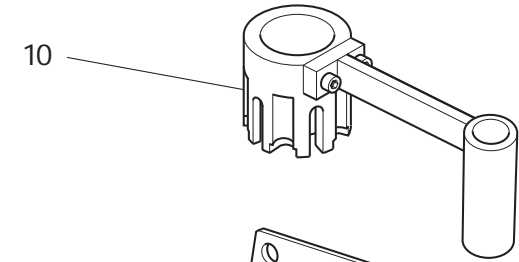
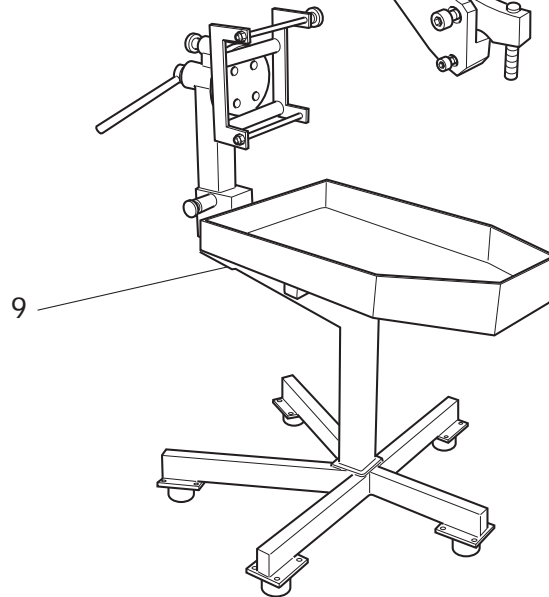
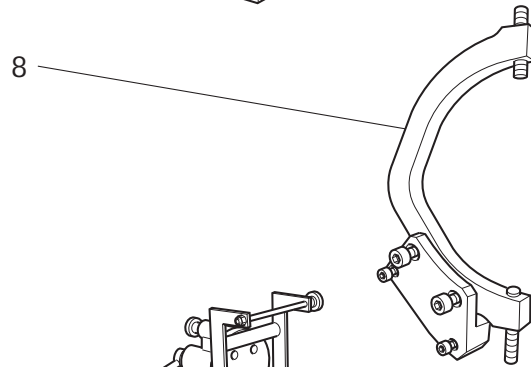
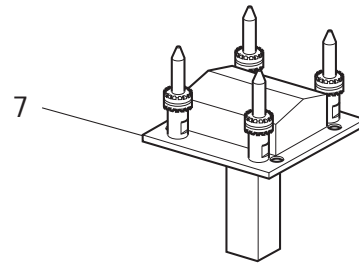
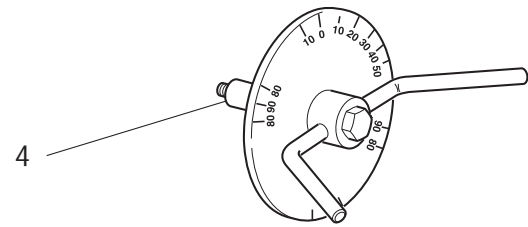
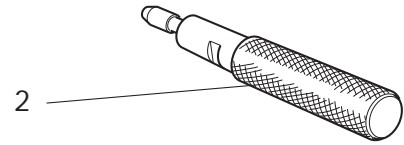
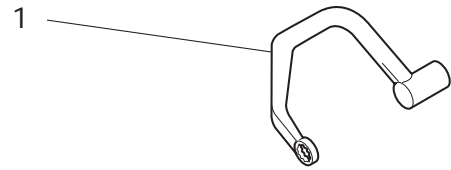
"Trasparente"	(PPG) 228.880
---------------	---------------



page	Contents
4	001 Workshop service tools
6	001a Workshop service tools
8	001b Workshop service tools
10	001c Dds tester
12	001d Workshop service tools
14	002 Gearchange control
16	003 Gearbox
18	004 Clutch
20	005 Clutch-side crankcase cover
22	006 Connecting rods
24	007 Cylinders - pistons
26	008 Timing system
28	009 Filters and oil pump
30	010 Crankcase halves
32	010a Crankcase halves
34	011 Water pump-altr-side crnkcase cover
36	012 Electric starting and ignition
38	013 Cylinder head : timing system
40	014 Vertical cylinder head
42	015 Horizontal cylinder head
44	016 Oil cooler
46	017 Throttle body
48	018 Battery support
50	018a Electrical system
52	019 Exhaust system
54	020 Headlight & instr. panel
56	021 Handlebars and controls
58	021a Front forks
60	022 Frame
62	022a Stand
64	023 Clutch control
66	024 Front brake
68	025 Rear brake
70	026 Front and rear wheels
72	026a Rear wheel axle
74	027 Rear subframe
76	027a Number plate holder
78	028 Rear suspension
80	028a Swingarm
82	029 Air intake - oil breather
84	030 Radiator
86	031 Cooling system
88	032 Fuel tank
90	032a Fuel system
92	033 Seat
94	034 Headlight fairing
96	034a Fairing
98	035 Evaporative emissions canister
100	036 Data plate positions

848 EVO


DRAWING 001 Workshop service tools



848 EVO

DRAWING **001**

Workshop service tools

NOTES NO.	CODE NO.	DESCRIPTION	VALIDITY	Q.TY 
1	88713.2676	Head nuts holder wrench		1
2	88713.2442	Tool to drive valve seal ring ø7		1
3	88765.1298	Spacer for checking lower valve shim		1
4	88713.2571	Degree wheel holder tool for ignition advance check		1
5	88713.1309	Fork feeler gauge 2,35 mm		1
6	88713.2906	Wrench to tighten oil filter cartridge		1
7	88713.2863	Head mounting base		1
8	88713.3367	Flywheel Wrench		1
9	88713.1832	Bench for engine repair		1
10	88713.2651	Reaction tool for wet "FCC" clutch		1
11	88713.3334	Plate for positioning gear engagement fork		1
12	88713.2423	Torque wrench		1
13	88765.1000	Fork feeler gauge 0.1 mm		1
13	88765.1005	Fork feeler gauge 0,2 mm		1
13	88765.1006	Fork feeler gauge 0.3 mm		1
14	88700.5749	Crankcases assembling cap		1
15	88713.0869	Tool for assembling water pump front seal		1
16	88713.0870	Tool for assembling water pump front seal		1
17	88713.0137	Crankshaft gear holder wrench for tightening nut		1

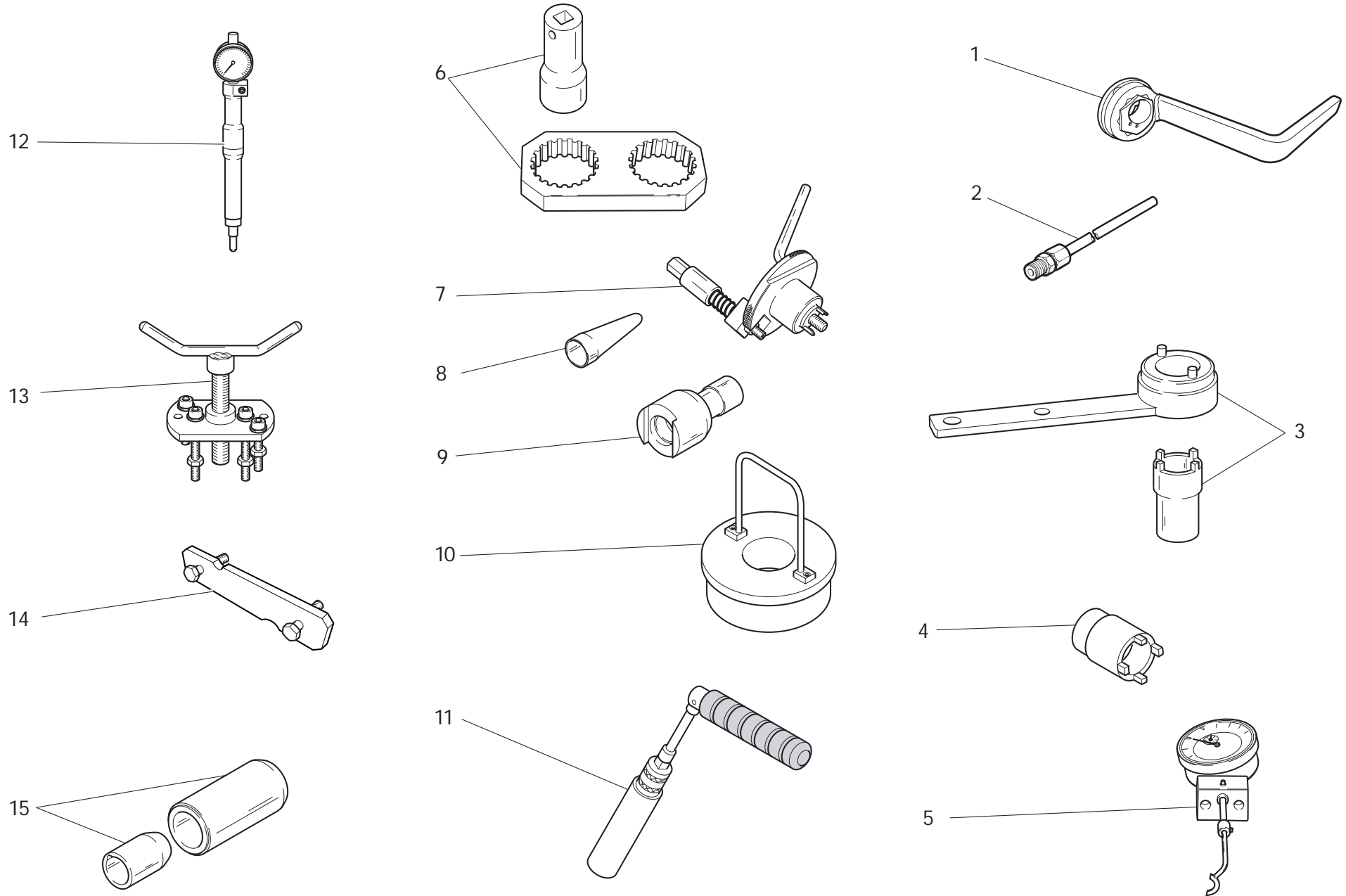
NOTES NO.	CODE NO.	DESCRIPTION	VALIDITY	Q.TY 
-----------	----------	-------------	----------	--

CATALOGUE No: 915.1.280.1G
ISSUED: 06 - 10

CATALOGUE No: 915.1.280.1G
ISSUED: 06 - 10


848 EVO

DRAWING 001a Workshop service tools



848^{EVO}

DRAWING **001a** Workshop service tools

NOTES NO.	CODE NO.	DESCRIPTION	VALIDITY	Q.TY 
1	88713.2832	Wrench for tensioning mobile belt tensioner		1
2	88713.1010	Union for exhaust gas suction		1
3	88713.1805	Driving roller tightening tool		1
4	88713.2422	Wrench for tightening primary transmission ring nut		1
5	88765.1518	Valve lift gauge		1
6	88713.1806	Reaction tool for belt roller tightening		1
7	88713.2011	Tool to hold crankshaft in TDC position		1
8	88713.1920	Tool to fit O-rings onto stud bolts		1
9	88713.1821	Wrench to tighten tensioning bolts		1
10	88713.2870	Con-rod guiding tool		1
11	88713.2877	Spark plug tool		1
12	88765.1188	T.D.C. control gauge		1
13	88713.1749	Drive roller puller		1
14	88765.1623	Belt roller timing tool		1
15	88713.1906	Tool to fit seals on camshafts		1

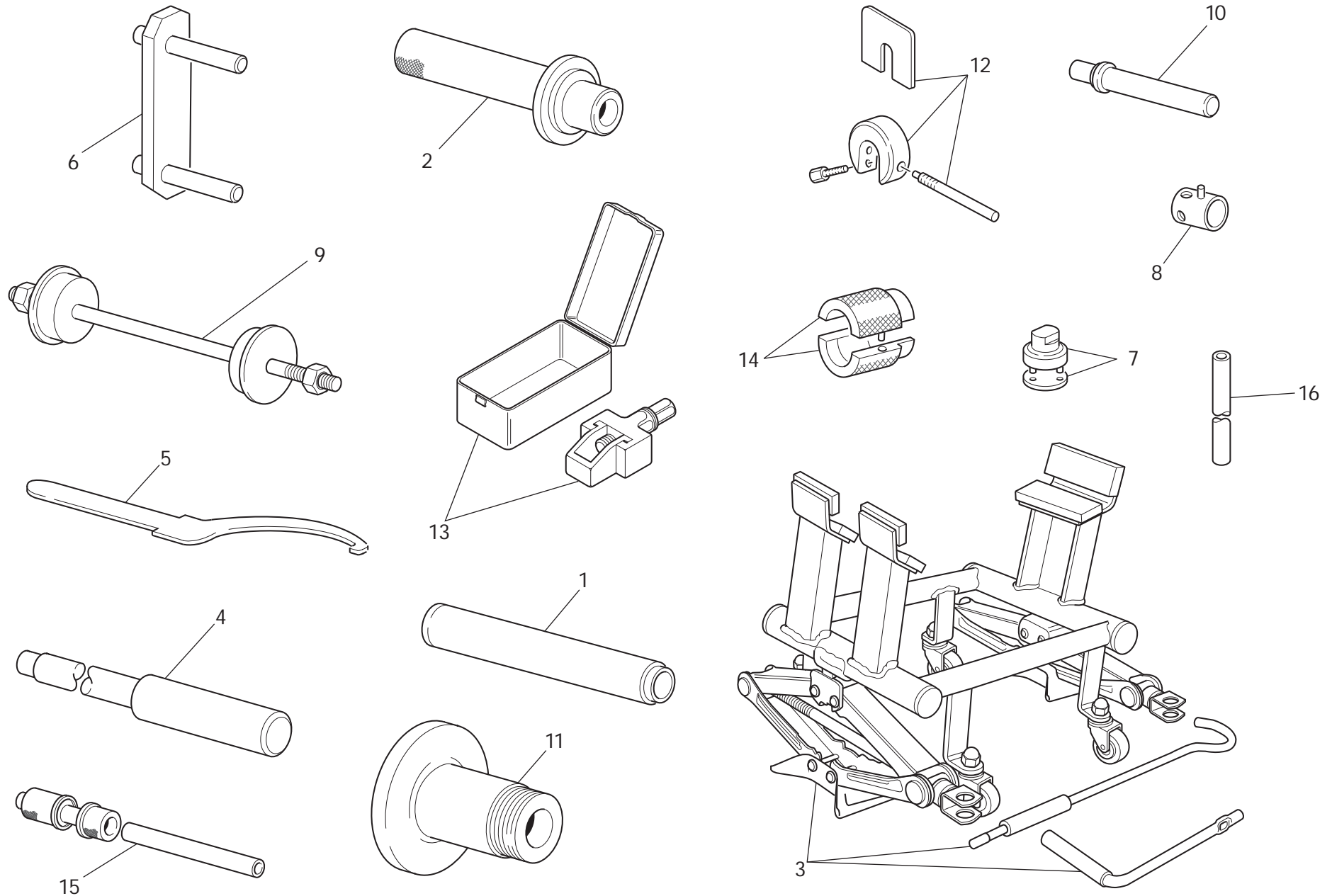
NOTES NO.	CODE NO.	DESCRIPTION	VALIDITY	Q.TY 
-----------	----------	-------------	----------	--

CATALOGUE No: 915.1.280.1G
ISSUED: 06 - 10

CATALOGUE No: 915.1.280.1G
ISSUED: 06 - 10

848 EVO

DRAWING **001b** Workshop service tools



848 EVO

DRAWING **001b** Workshop service tools

NOTES NO.	CODE NO.	DESCRIPTION	VALIDITY	Q.TY 
1	88713.1072	Stopper for driving the half bearing of the steering head base		1
2	88713.1068	Stopper for assembling the rear fork roller bearings		1
3	88713.3396	Bench for engine repair		1
4	88713.1074	Stopper for disassembling the swingarm pivot		1
5	88713.1038	Wrench for adjusting the eccentric hub		1
6	88713.1515	Frame/engine mount		1
7	88713.1058	Wrench for assembling the steering head cap		1
8	8000.70139	Wrench for front wheel spindle		1
9	88713.1062	Tool for assembling the steering head bearings		1
10	88713.1071	Stopper for assembling the rocker needle bearings		1
11	88713.1073	Tool for balancing rear wheel		1
12	88713.0957	Tool for holding SHOWA fork spacer		1
13	88713.2562	Tool for assembling chain		1
14	88713.1096	Tool for overhauling SHOWA forks - assembling seal ring		1
15	88713.2409	Tool for assembling the swingarm ball bearings		1
16	88713.0958	Draw bar for SHOWA forks overhauling		1

NOTES NO.	CODE NO.	DESCRIPTION	VALIDITY	Q.TY 
-----------	----------	-------------	----------	--

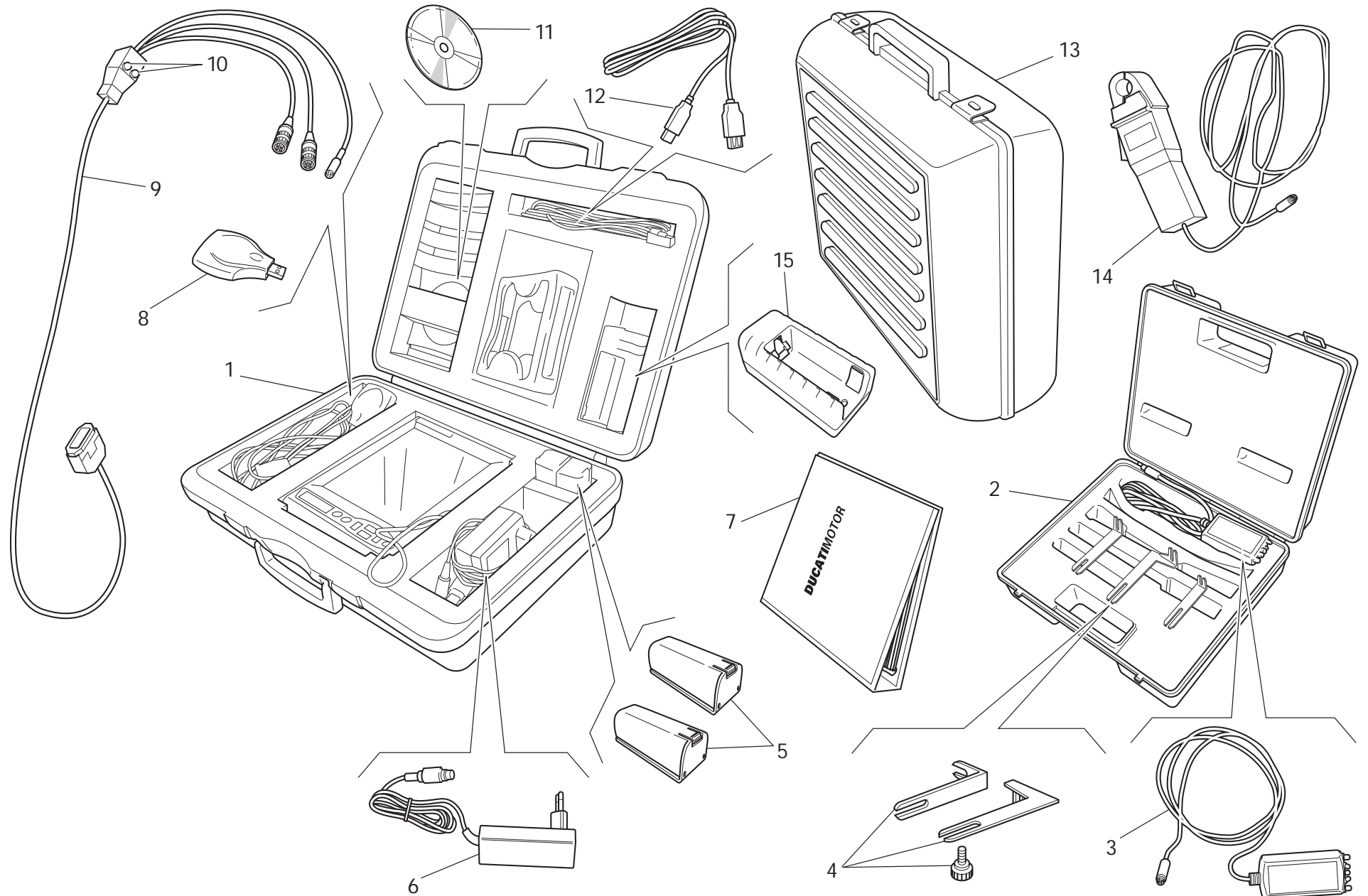
CATALOGUE No: 915.1.280.1G
ISSUED: 06 - 10

CATALOGUE No: 915.1.280.1G
ISSUED: 06 - 10

848EVO

DRAWING 001c


Dds tester



848EVO

DRAWING **001c**

Dds tester

NOTES NO.	CODE NO.	DESCRIPTION	VALIDITY	Q.TY 
1	97900.0215	DDS (Ducati Diagnosis System) + manifold vacuum meter. kit		1
2	97900.0002	Belt tensioning kit		1
3	88765.1371	Sensor		1
4	88765.1374	Bracket		1
5	97900.0216	Battery		2
6	97900.0224	Feeder		1
7	97900.0232	DDS manual		1
8	97900.0225	(USB) Memory card reader		1
9	97900.0222	Main cable 1060838		1
10	97900.0219	Fuse		2
11	97900.0223	Software DDS CD		1
12	97900.0226	(USB) Cable extension		1
13	97900.0229	Black case with sponge rubber		1
14	88765.1126V	Amperometer plier		1
15	97900.0217	Battery charger		1

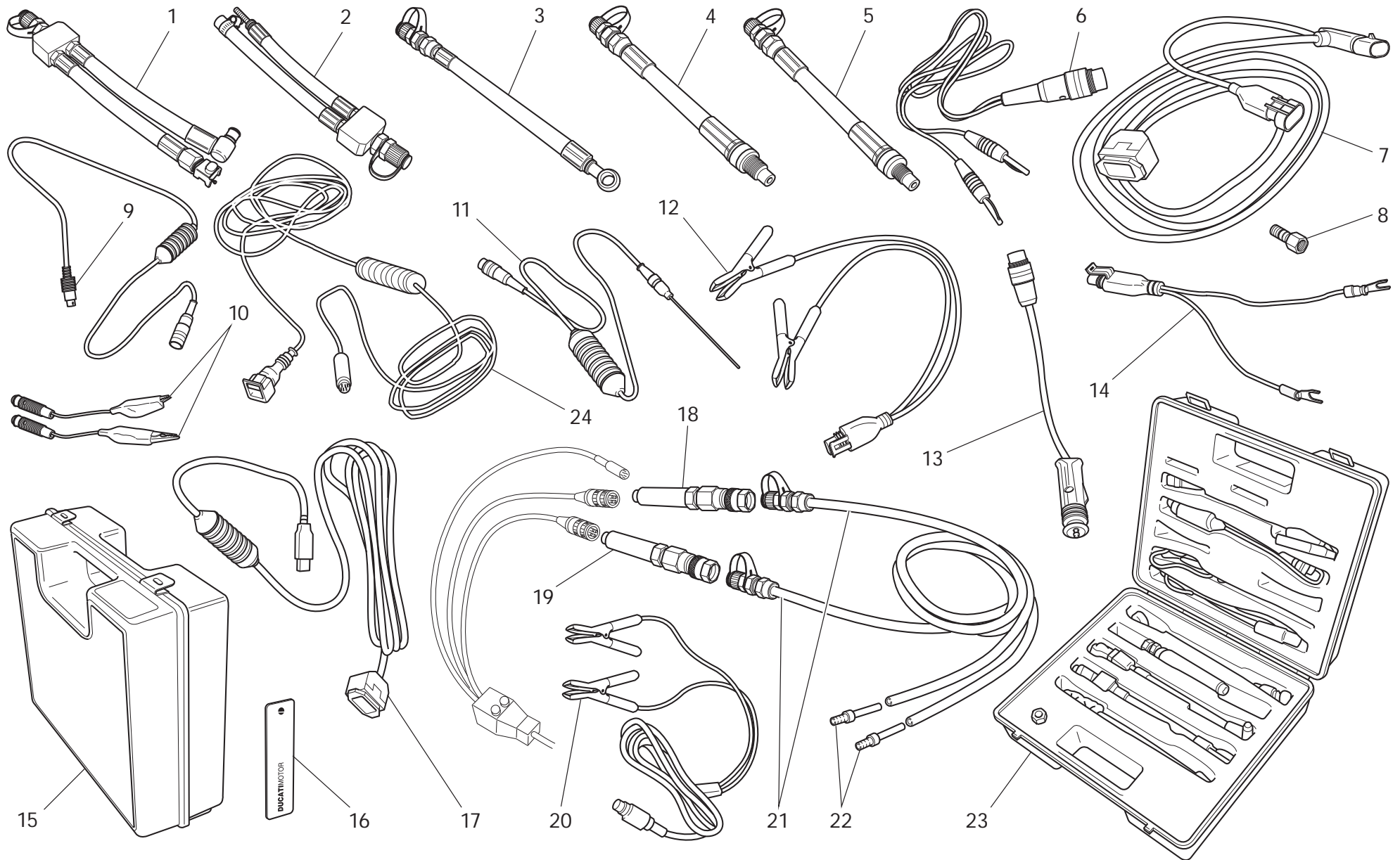
NOTES NO.	CODE NO.	DESCRIPTION	VALIDITY	Q.TY 
-----------	----------	-------------	----------	--

CATALOGUE No: 915.1.280.1G
ISSUED: 06 - 10

CATALOGUE No: 915.1.280.1G
ISSUED: 06 - 10

848 EVO

DRAWING 001d Workshop service tools



848 EVO

DRAWING **001d** Workshop service tools

NOTES NO.	CODE NO.	DESCRIPTION	VALIDITY	Q.TY 
1	590.1.189.1A	Fuel pressure line HS.		1
2	590.1.190.1A	Fuel pressure line ST/SS/M.		1
3	875.1.065.1A	Oil pressure line		1
4	552.1.037.1A	Fitting - cylinder compression M12		1
5	552.1.038.1A	Fitting - cylinder compression M10		1
6	514.1.037.1A	Cable Volt PF DUC 21		1
7	97900.0227	Main cable (MARELLI)		1
8	814.1.114.1A	Oil pressure fitting		1
9	514.1.032.1A	Cable for supplementary tests		1
10	514.1.035.1A	Red clamp cable		1
10	514.1.036.1A	Black clamp cable		1
11	552.1.040.1A	Temperature probe		1
12	97900.0228	Battery connection adapter		1
13	514.1.033.1A	Electric lighter connection adapter (ST)		1
14	514.1.038.1A	Battery connection adapter		1
15	698.1.033.1A	Red case with sponge rubber		1
16	88765.1126T	DUCATI sticker RH/LH side		2
17	97900.0231	(USB) Adaptor		1
18	97900.0218	Depressure sensor		1
19	552.1.039.1A	Pressure sensor		1
20	97900.0230	Feeder		1
21	97900.0220	Depressure/pressure line		2
22	97900.0221	Union		4
23	97900.0003	Pressure kit		1
24	88765.1126C	Cable for potentiometer adjustment		1

NOTES NO.	CODE NO.	DESCRIPTION	VALIDITY	Q.TY 
-----------	----------	-------------	----------	--

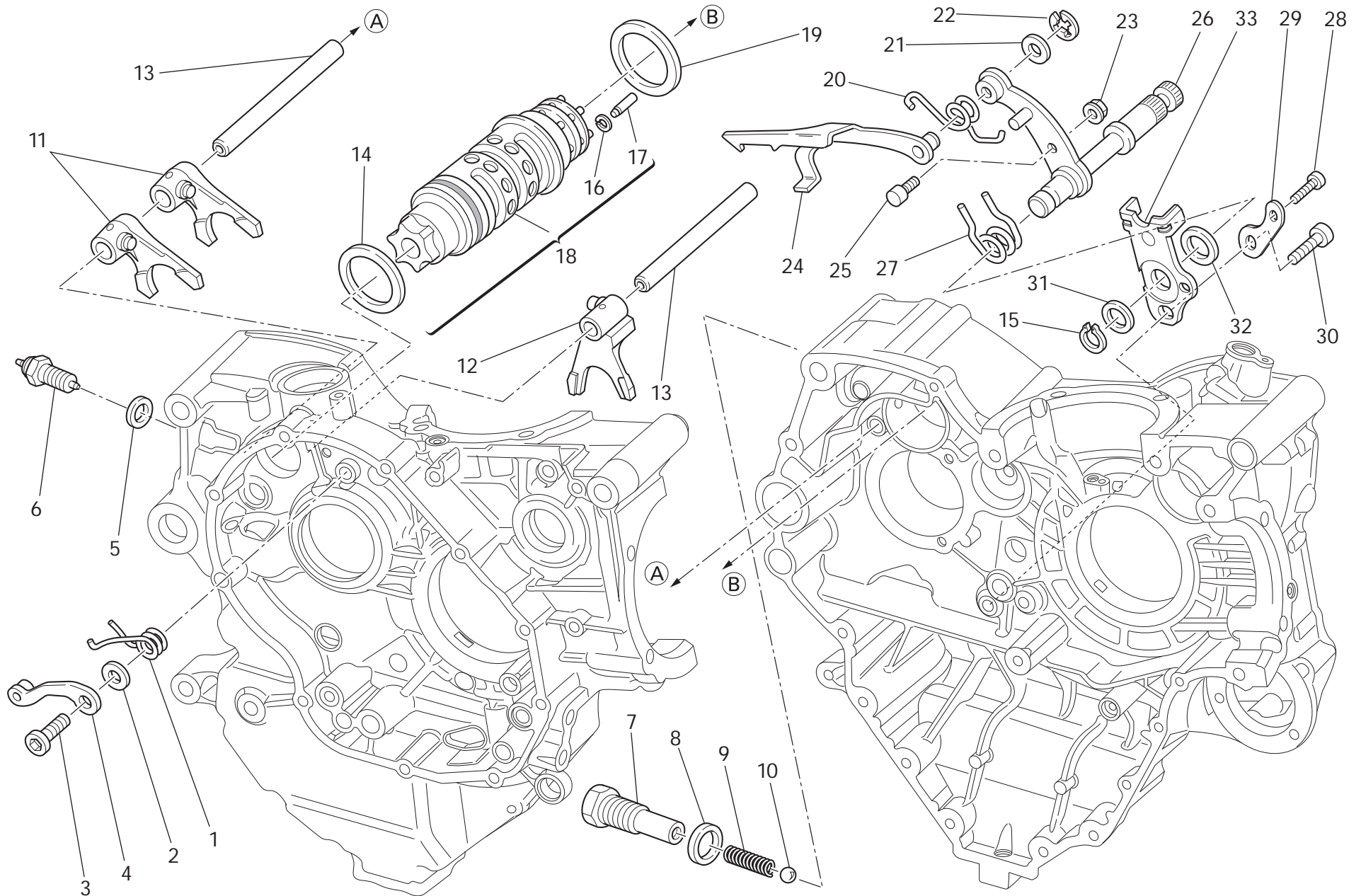
CATALOGUE No: 915.1.280.1G
ISSUED: 06 - 10

CATALOGUE No: 915.1.280.1G
ISSUED: 06 - 10

848 EVO

DRAWING 002

Gearchange control




848EVO

DRAWING **002**

Gearchange control

NOTES NO.	CODE NO.	DESCRIPTION	VALIDITY	Q.TY 
1	799.1.049.1A	Return spring		1
2	852.1.053.2A	Washer		1
3	779.1.039.1A	Special screw		1
4	455.2.003.1A	Gear stopper assembly		1
5	852.5.024.1A	Gasket th.1		1
6	539.1.021.1B	Neutral indicator switch		1
7	779.1.203.3A	Special screw		1
8	0272.91.090	Gasket		1
9	0660.13.143	Gear selector spring		1
10	76835.1134	Ball		1
11	180.1.001.1A	1st,4th-2nd,3rd gear selector fork		2
12	180.1.002.1A	5th,6th gear selector fork		1
13	821.1.268.1A	Fork pin		2
14	852.1.005.1A	Shim th. 1		1
15	73500.1542	Circlip		1
16	884.5.048.1A	Needle retaining ring		6
17	821.1.325.1A	Pin		6
18	182.2.028.3A	Complete gearbox drum		1
19	852.1.094.1A	Shim th. 0.9		1
20	799.1.482.1A	Fork return spring		1
21	0400.09.050	Shim th. 0.5		1
21	0765.92.205	Shim th. 0.2		2
22	884.5.034.1A	Ring		1
23	748.1.040.1A	Nut		1
24	180.1.008.1A	Gearbox drum control fork		1
25	0660.13.165	Gearchange lever pin		1
26	821.1.001.1A	Pin with gearchange lever		1

NOTES NO.	CODE NO.	DESCRIPTION	VALIDITY	Q.TY 
27	0799.13.110	Gearchange lever return spring		1
28	771.5.067.0Z	Screw		1
29	713.1.915.1A	Spacer		1
30	771.5.125.0Z	Screw		1
31	0400.29.125	Shim th. 0.2		2
31	0400.29.126	Shim th. 0.5		1
32	881.1.012.1A	Centering ring		1
33	826.1.029.2A	Stopper plate		1

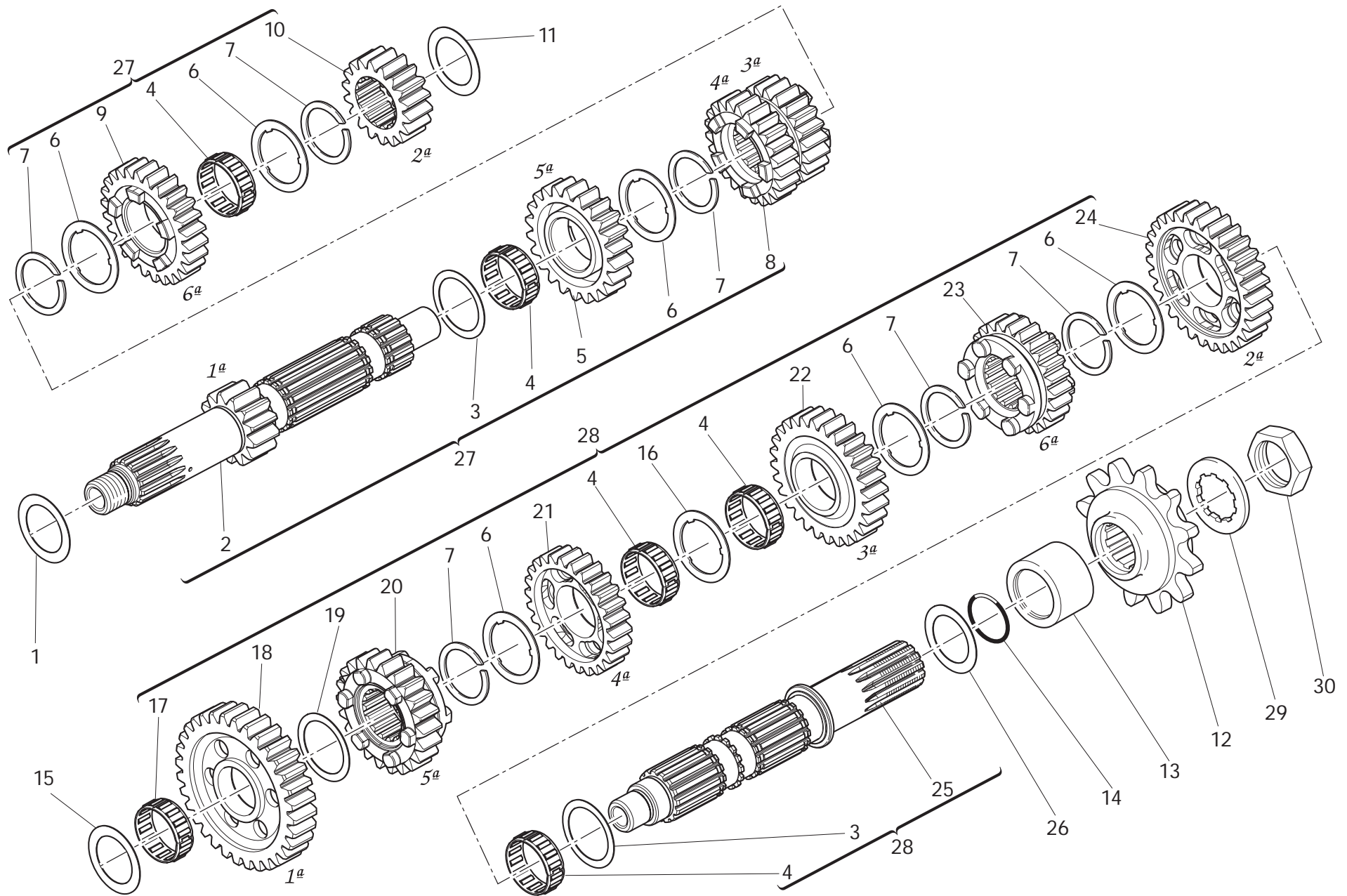
CATALOGUE No: 915.1.280.1G
ISSUED: 06 - 10

CATALOGUE No: 915.1.280.1G
ISSUED: 06 - 10

848 EVO

DRAWING 003


Gearbox




848 EVO

DRAWING **003**

Gearbox

NOTES NO.	CODE NO.	DESCRIPTION	VALIDITY	Q.TY 
1	0251.47.054	Shim th. 1.2		1
2	149.1.046.1A	Gearbox main shaft		1
3	0670.16.150	Shim th. 0.5		2
4	701.4.005.1A	Needle bearing		5
5	172.1.004.3C	Driving gear 5th sp.		1
6	856.1.001.1A	Grooved washer th. 0.5		6
7	0670.16.145	Snap ring		6
8	172.1.003.3C	Driving gear 3rd/4th sp.		1
9	172.1.005.3C	Driving gear 6th sp.		1
10	172.1.002.1B	Driving gear 2nd sp.		1
11	713.1.014.1E	Shim th. 1.6		1
12	449.1.053.1A	Chain sprocket		1
13	713.1.393.1A	Spacer		1
14	463.2.053.7A	O-ring		1
15	713.1.266.1A	Spacer th. 3,15		1
16	856.1.031.1A	Grooved washer th. 0.5		1
17	76402.0002	Needle bearing		1
18	172.1.218.2A	Driven gear 1st sp.		1
19	0670.16.155	Shim th. 1		1
20	172.1.010.3C	Driven gear 5th sp.		1
21	172.1.009.1C	Driven gear 4th sp.		1
22	172.1.008.1C	Driven gear 3rd sp.		1
23	172.1.011.3C	Driven gear 6th sp.		1
24	172.1.219.2A	Driven gear 2nd sp.		1
25	149.1.061.1A	Gearbox lay shaft		1
26	0670.16.170	Shim th. 0.8		1
27	150.2.098.2A	Complete main shaft		1

NOTES NO.	CODE NO.	DESCRIPTION	VALIDITY	Q.TY 
28	150.2.092.3A	Complete lay shaft		1
29	851.1.004.1A	Lock washer		1
30	750.1.007.1A	Nut		1

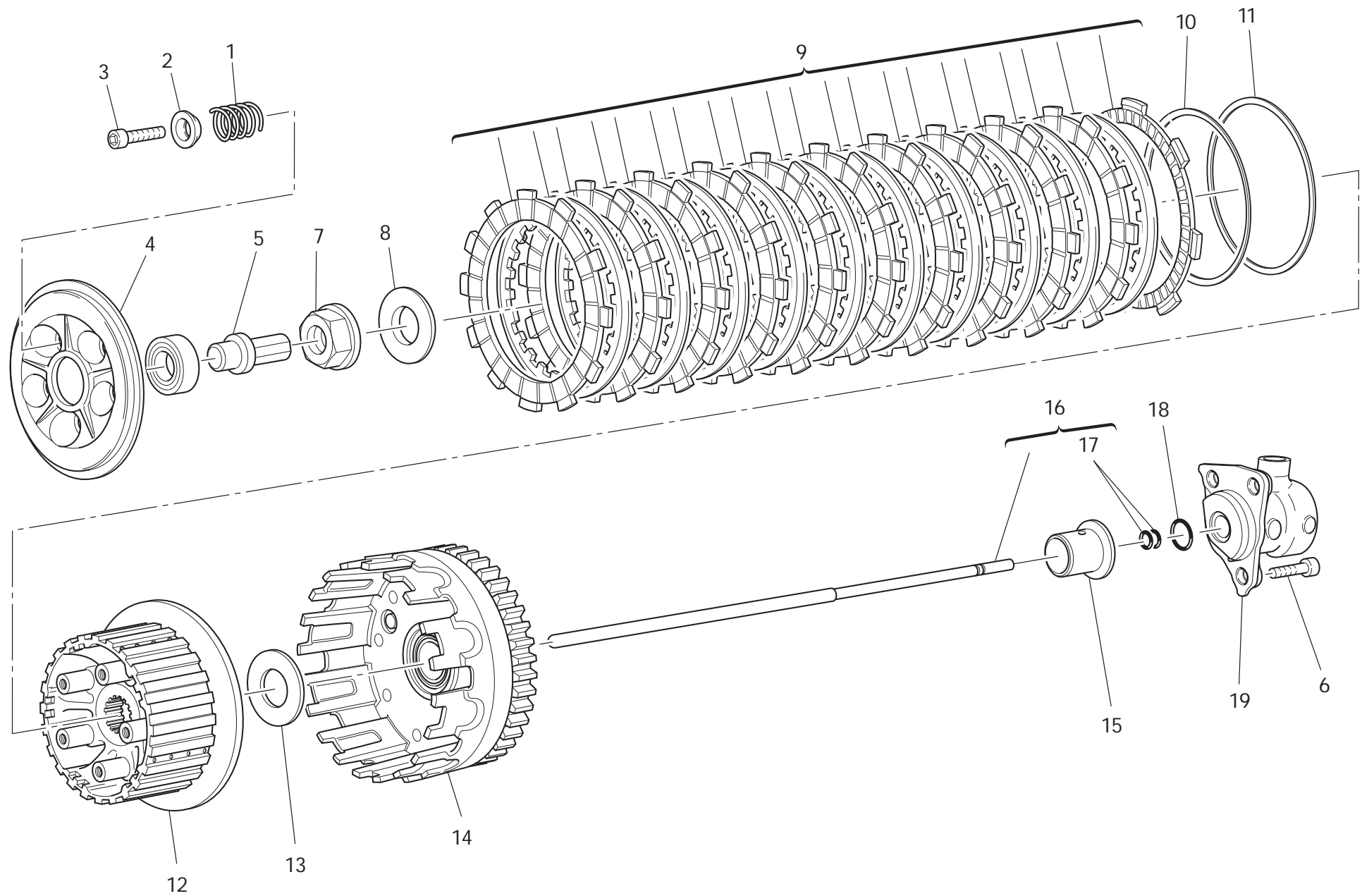
CATALOGUE No: 915.1.280.1G
ISSUED: 06 - 10

CATALOGUE No: 915.1.280.1G
ISSUED: 06 - 10

848 EVO


DRAWING 004

Clutch



848^{EVO}

DRAWING **004** Clutch

NOTES NO.	CODE NO.	DESCRIPTION	VALIDITY	Q.TY 
1	797.1.032.1A	Clutch spring		5
2	841.1.046.1A	Retainer		5
3	771.5.072.8C	Screw		5
4	194.1.027.1A	Pressure plate "FCC"		1
5	818.1.016.2A	Clutch control pin "FCC"		1
6	771.5.065.2BB	Screw		3
7	748.1.013.1A	Hexagon nut		1
8	799.5.001.2A	Spring washer		1
9	190.2.013.1A	Clutch plates set		1
10	799.1.191.1A	Spring washer "FCC"		1
11	190.1.017.1A	Spring		1
12	196.1.035.1A	Plate holder hub "FCC"		1
13	713.1.309.1A	Spacer		1
14	198.2.036.2A	Clutch housing		1
15	713.1.483.1A	Spacer		1
16	117.2.007.2A	Clutch control rod		1
17	886.4.173.1A	O-ring		2
18	886.4.043.1A	O-ring		1
19	195.4.003.1A	Piston assembly		1

NOTES NO.	CODE NO.	DESCRIPTION	VALIDITY	Q.TY 
-----------	----------	-------------	----------	--

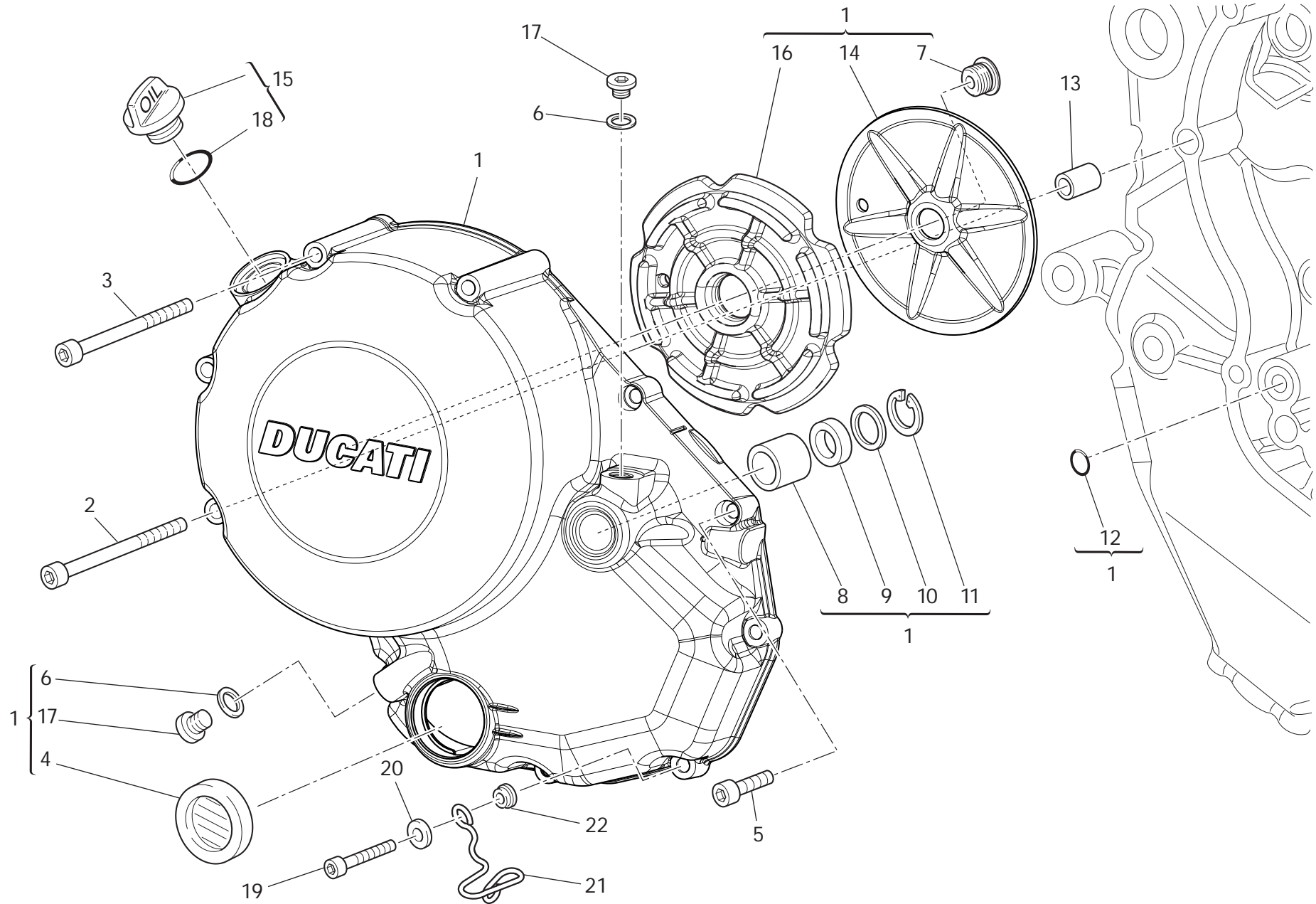
CATALOGUE No: 915.1.280.1G
ISSUED: 06 - 10

CATALOGUE No: 915.1.280.1G
ISSUED: 06 - 10

848 EVO


DRAWING 005

Clutch-side crankcase cover



848EVO

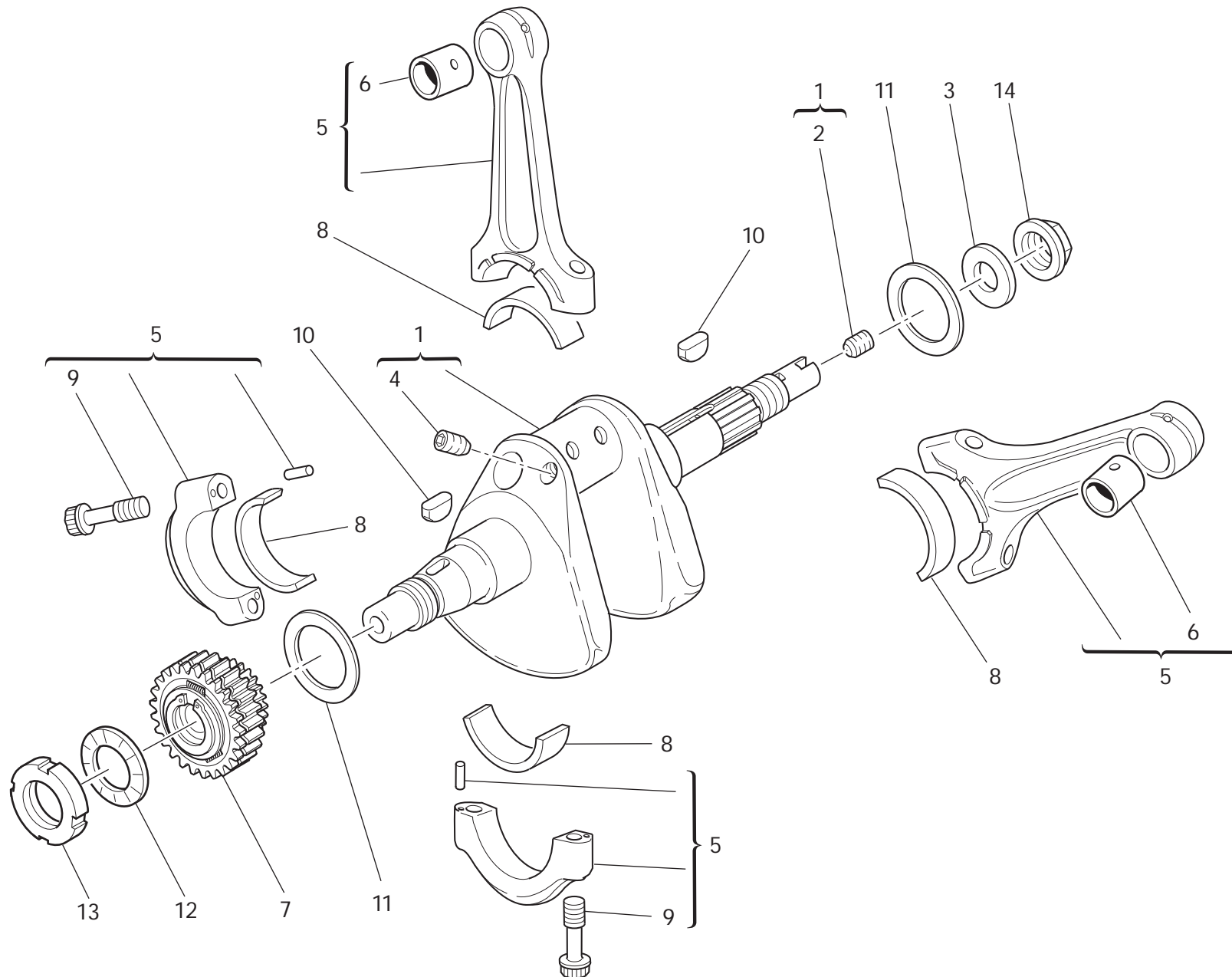
DRAWING **005** Clutch-side crankcase cover

NOTES NO.	CODE NO.	DESCRIPTION	VALIDITY	Q.TY 
1	243.2.118.1CE	Cover clutch side		1
2	771.5.083.3B	Screw		1
3	771.5.081.3B	Screw		3
4	254.4.001.2A	Oil level sight glass		1
5	771.5.069.3B	Screw		5
6	852.5.024.1A	Gasket th.1		1
7	779.1.501.1A	Screw		1
8	0665.49.680	Bush		1
9	930.4.021.1A	Seal ring		1
10	852.1.135.1A	Shim th. 1		1
11	884.5.013.1A	Circlip		1
12	886.4.132.1A	O-ring		1
13	711.1.160.1A	Locating bush		1
14	827.1.433.1A	Plate		1
15	893.2.012.1A	Complete cap		1
16	486.1.072.1A	Panel		1
17	780.5.001.2A	Cap		1
18	886.4.089.1A	O-ring		1
19	771.5.072.3B	Screw		1
20	852.1.264.1A	Washer		1
21	758.1.041.2A	Fairlead		1
22	713.1.365.1A	Spacer		1

NOTES NO.	CODE NO.	DESCRIPTION	VALIDITY	Q.TY 
-----------	----------	-------------	----------	--

CATALOGUE No: 915.1.280.1G
ISSUED: 06 - 10

CATALOGUE No: 915.1.280.1G
ISSUED: 06 - 10




848EVO

DRAWING **006** Connecting rods

NOTES NO.	CODE NO.	DESCRIPTION	VALIDITY	Q.TY 
1	146.2.166.1A	Crankshaft		1
2	779.1.109.2A	Special screw		1
3	852.1.269.1A	Washer		1
4	779.1.547.1A	Special screw		2
5	158.2.020.2A	Connecting rods pair		1
6	711.1.089.1A	Bush		2
7	170.2.081.1A	Primary drive front sprocket		1
8	112.1.012.1AB	Half-bearing (BLUE)		2
8	112.1.012.1AC	Half-bearing (YELLOW)		2
9	779.1.404.1A	Special screw		4
10	680.1.013.1A	Woodruff key		2
11	852.1.104.2A	Shim th. 1.9		2
11	852.1.104.2B	Shim th. 1.95		2
11	852.1.104.1H	Shim th. 2.25		2
11	852.1.104.1K	Shim th. 2,4		2
11	852.1.104.1L	Shim th. 2,45		2
11	852.1.104.1M	Shim th. 2.5		2
11	852.1.104.1N	Shim th. 2.55		2
11	852.1.104.2C	Shim th. 2		2
11	852.1.104.2D	Shim th. 2,05		2
11	852.1.104.2E	Shim th. 2,1		2
11	852.1.104.2F	Shim th. 2,15		2
11	852.1.104.2G	Shim th. 2.2		2
11	852.1.104.2I	Shim th. 2.3		2
11	852.1.104.2J	Shim th. 2.35		2
12	851.4.003.1A	Lock washer		1
13	750.1.113.1A	Ring nut		1

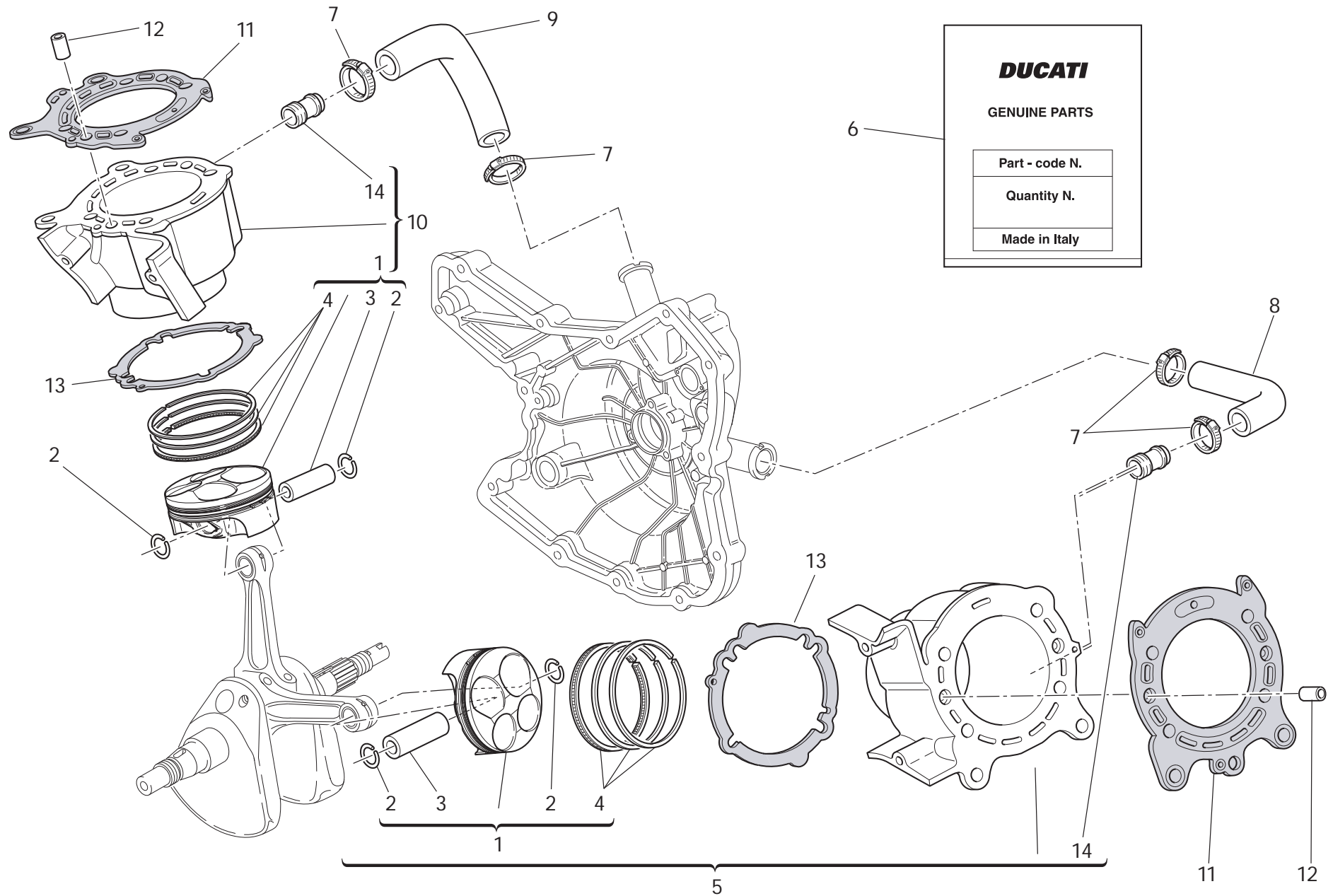
CATALOGUE No: 915.1.280.1G
ISSUED: 06 - 10

NOTES NO.	CODE NO.	DESCRIPTION	VALIDITY	Q.TY 
14	750.1.073.2A	Special nut		1

CATALOGUE No: 915.1.280.1G
ISSUED: 06 - 10

848 EVO

DRAWING **007** Cylinders - pistons




DUCATI
GENUINE PARTS

Part - code N.
Quantity N.
Made in Italy

848 EVO

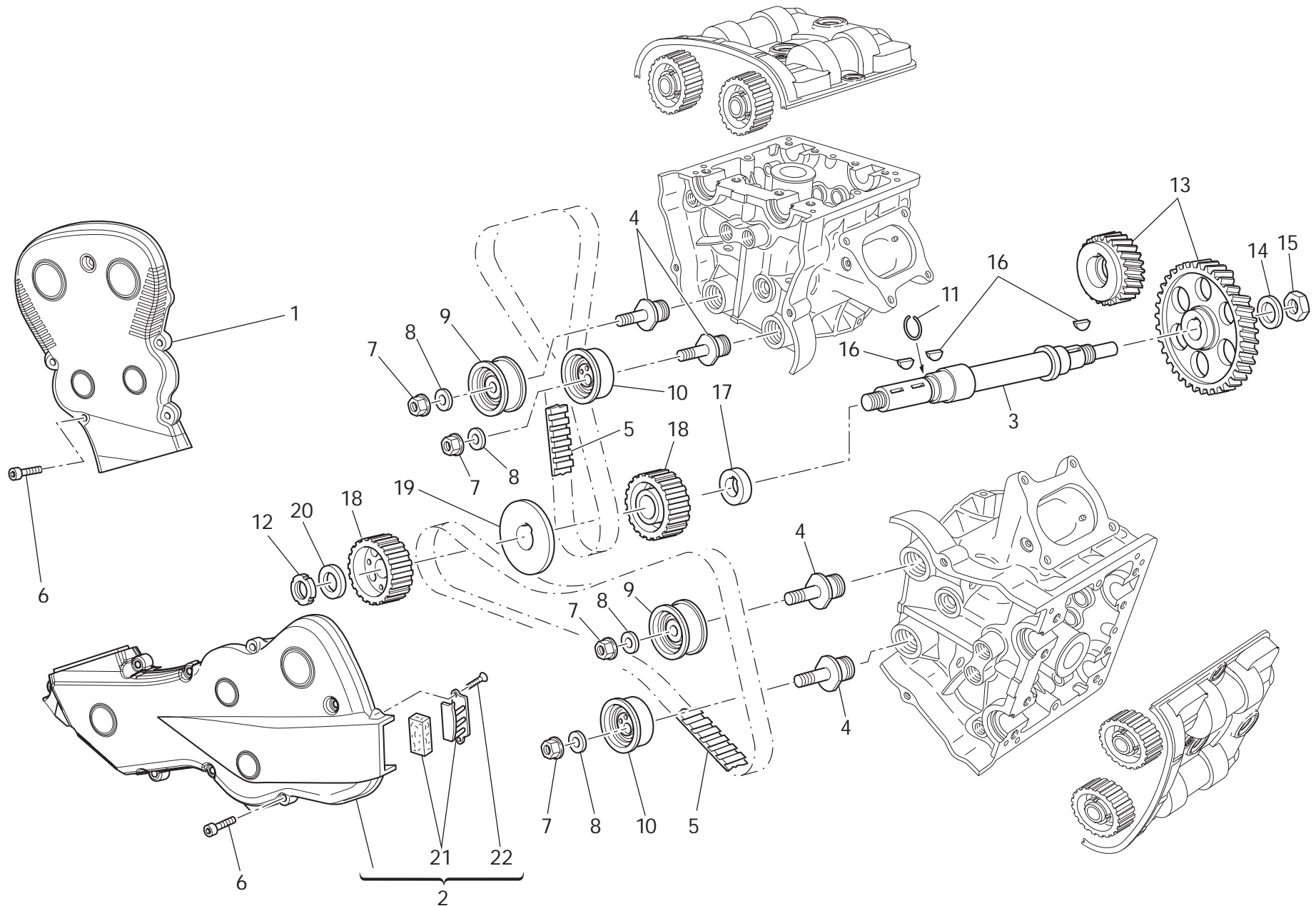
DRAWING **007** Cylinders - pistons

NOTES NO.	CODE NO.	DESCRIPTION	VALIDITY	Q.TY 
1	122.2.163.1A	Complete piston		2
2	121.1.079.1A	Piston pin circlip		4
3	121.1.078.2A	Piston pin		2
4	121.2.040.1A	Piston rings set		2
5	120.Z.001.1A	Cylinder-piston fit (horizontal)		1
6	791.2.045.1A	Gaskets set		1
7	741.4.192.1A	Clamp		4
8	800.1.123.1A	Horizontal cylinder water inlet hose		1
9	800.1.122.1A	Vertical cylinder water inlet hose		1
10	120.Z.002.1A	Cylinder-piston fit (vertical)		1
11	786.1.096.1A	Head-cylinder gasket		2
12	711.1.219.1A	Bush		4
13	786.1.094.1A	Cylinder-crankcase gasket		2
14	668.1.001.4A	Water pump delivery filler		2

NOTES NO.	CODE NO.	DESCRIPTION	VALIDITY	Q.TY 
-----------	----------	-------------	----------	--

CATALOGUE No: 915.1.280.1G
ISSUED: 06 - 10

CATALOGUE No: 915.1.280.1G
ISSUED: 06 - 10



848^{EVO}

DRAWING **008** Timing system

NOTES NO.	CODE NO.	DESCRIPTION	VALIDITY	Q.TY 
1	245.1.131.1A	Vertical belt outer cover		1
2	245.2.070.3A	Horizontal belt outer cover assembly		1
3	147.1.014.2A	Timing lay shaft		1
4	451.1.046.1A	Tensioner roller pin		4
5	7374.025.1A	Timing drive toothed belt		2
6	771.1.380.1A	Screw		13
7	749.4.008.1A	Nut		4
8	852.1.174.1A	Washer		4
9	451.2.027.2A	Complete fixed tensioner roller		2
10	451.2.029.1A	Complete movable tensioner roller		2
11	882.1.003.1A	Snap ring		1
12	703.5.006.2A	Elastic-stop ring nut		1
13	171.Z.003.1A	Timing gears pair		1
14	851.1.013.1A	Lock washer		1
15	750.1.160.1A	Nut		1
16	680.1.013.1A	Woodruff key		3
17	716.1.128.1A	Spacer		1
18	255.1.010.4B	Timing belt roller		2
19	856.1.062.2A	Belt roller separating washer		1
20	716.1.072.2A	Spacer		1
21	245.2.112.1A	Filter box mount		1
22	772.5.034.1A	Screw		2

NOTES NO.	CODE NO.	DESCRIPTION	VALIDITY	Q.TY 
-----------	----------	-------------	----------	--

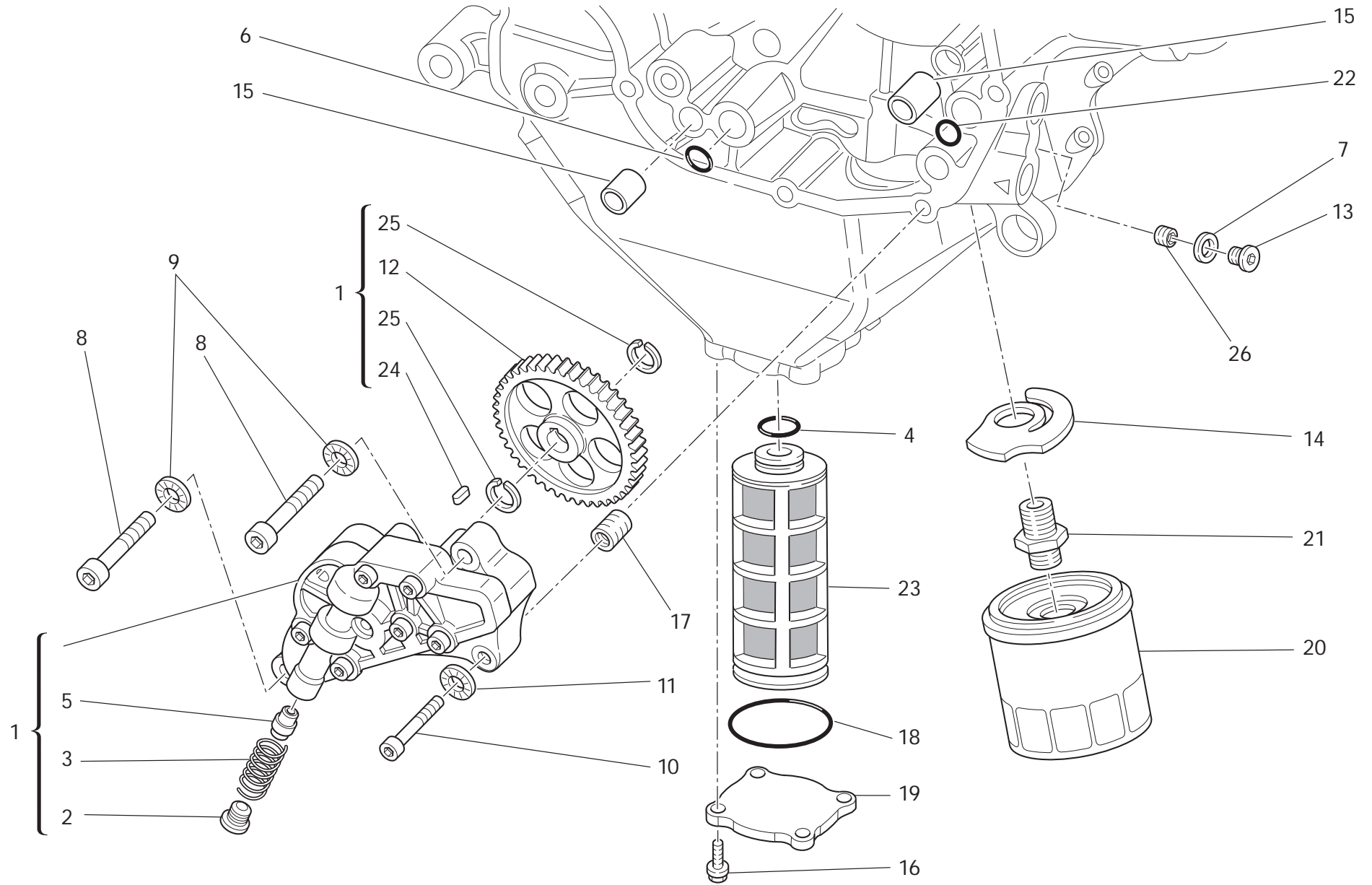
CATALOGUE No: 915.1.280.1G
ISSUED: 06 - 10

CATALOGUE No: 915.1.280.1G
ISSUED: 06 - 10

848 EVO

DRAWING 009

Filters and oil pump




848 EVO

DRAWING **009**

Filters and oil pump

NOTES NO.	CODE NO.	DESCRIPTION	VALIDITY	Q.TY 
1	174.2.038.1D	Complete oil pump		1
2	780.1.018.1C	Bypass cap		1
3	799.1.055.1A	Bypass spring		1
4	886.4.033.1A	O-ring		1
5	593.1.018.1A	Bypass valve		1
6	886.4.037.1A	O-Ring		1
7	852.1.195.1A	Washer		1
8	771.5.129.8B	Screw		2
9	852.1.174.1A	Washer		2
10	771.1.051.8B	Screw		1
11	852.1.172.1A	Washer		1
12	174.1.038.1A	Pump drive gear		1
13	779.1.162.2A	Cap		1
14	799.2.077.2A	Bypass spring		1
15	0759.49.280	Locating bush		2
16	772.1.060.1A	Screw		4
17	0670.49.310	Reduction bush		1
18	886.4.034.1A	O-ring		1
19	247.1.290.1A	Cover		1
20	444.4.003.5A	Oil filter cartridge		1
21	815.1.028.1A	Nipple		1
22	886.4.132.1A	O-ring		1
23	894.1.020.1A	Oil net filter		1
24	680.1.001.1B	Woodruff key		1
25	884.5.039.1A	Circlip		2
26	778.4.004.1A	Threaded dowel		1

NOTES NO.	CODE NO.	DESCRIPTION	VALIDITY	Q.TY 
-----------	----------	-------------	----------	--

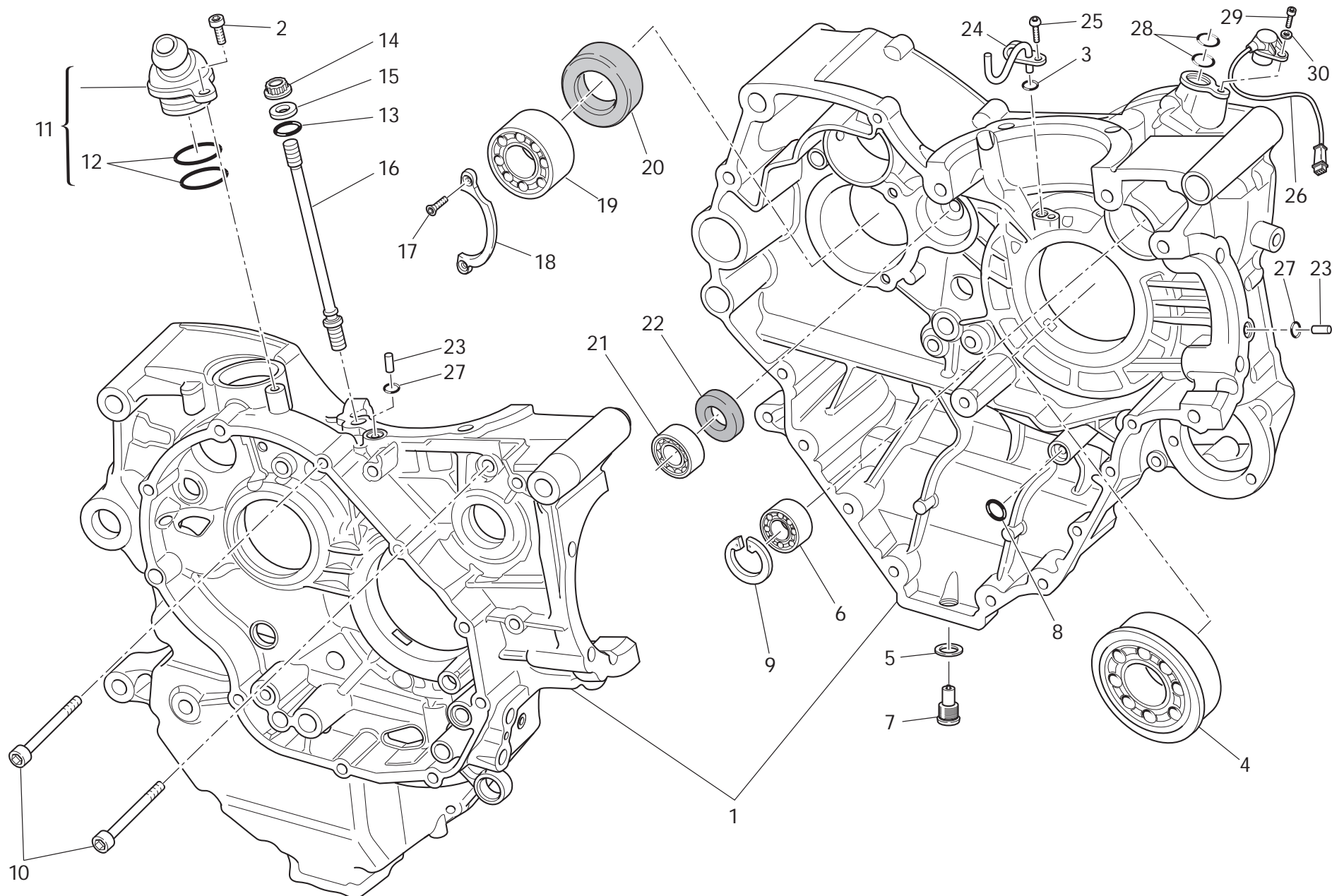
CATALOGUE No: 915.1.280.1G
ISSUED: 06 - 10

CATALOGUE No: 915.1.280.1G
ISSUED: 06 - 10

848 EVO

DRAWING 010

Crankcase halves




848EVO

DRAWING **010** Crankcase halves

NOTES NO.	CODE NO.	DESCRIPTION	VALIDITY	Q.TY 
1	225.2.250.1C	Complete half-crankcases pair		1
2	771.5.065.8B	Screw		1
3	886.5.013.1A	O-Ring		2
4	702.4.092.1A	Bearing		1
5	852.5.042.1A	Copper gasket sp. 1,5		1
6	702.5.008.1A	Bearing		1
7	893.2.006.2A	Cap		1
8	886.4.132.1A	O-ring		1
9	73503.3380	Circlip		1
10	771.5.139.8B	Screw		2
11	593.2.042.1A	Breather valve		1
12	463.2.022.2A	O-Ring		2
13	886.4.118.1A	O-Ring		8
14	748.1.050.1A	Nut		8
15	856.1.064.2A	Special washer		8
16	766.1.055.2B	Stud bolt for fastening head cylinder		8
17	72094.1616	Screw		2
18	826.1.012.1A	Keep plate		1
19	702.4.013.1A	Bearing		1
20	930.4.022.1A	Seal ring		1
21	702.4.033.1A	Bearing		1
22	930.4.093.1A	Seal ring		1
23	860.1.005.1B	Locating dowel		2
24	875.1.146.1A	Jet		1
25	775.1.031.1B	Screw		1
26	552.4.132.1B	Rpm/timing sensor		1
27	886.1.024.1A	O-Ring		2

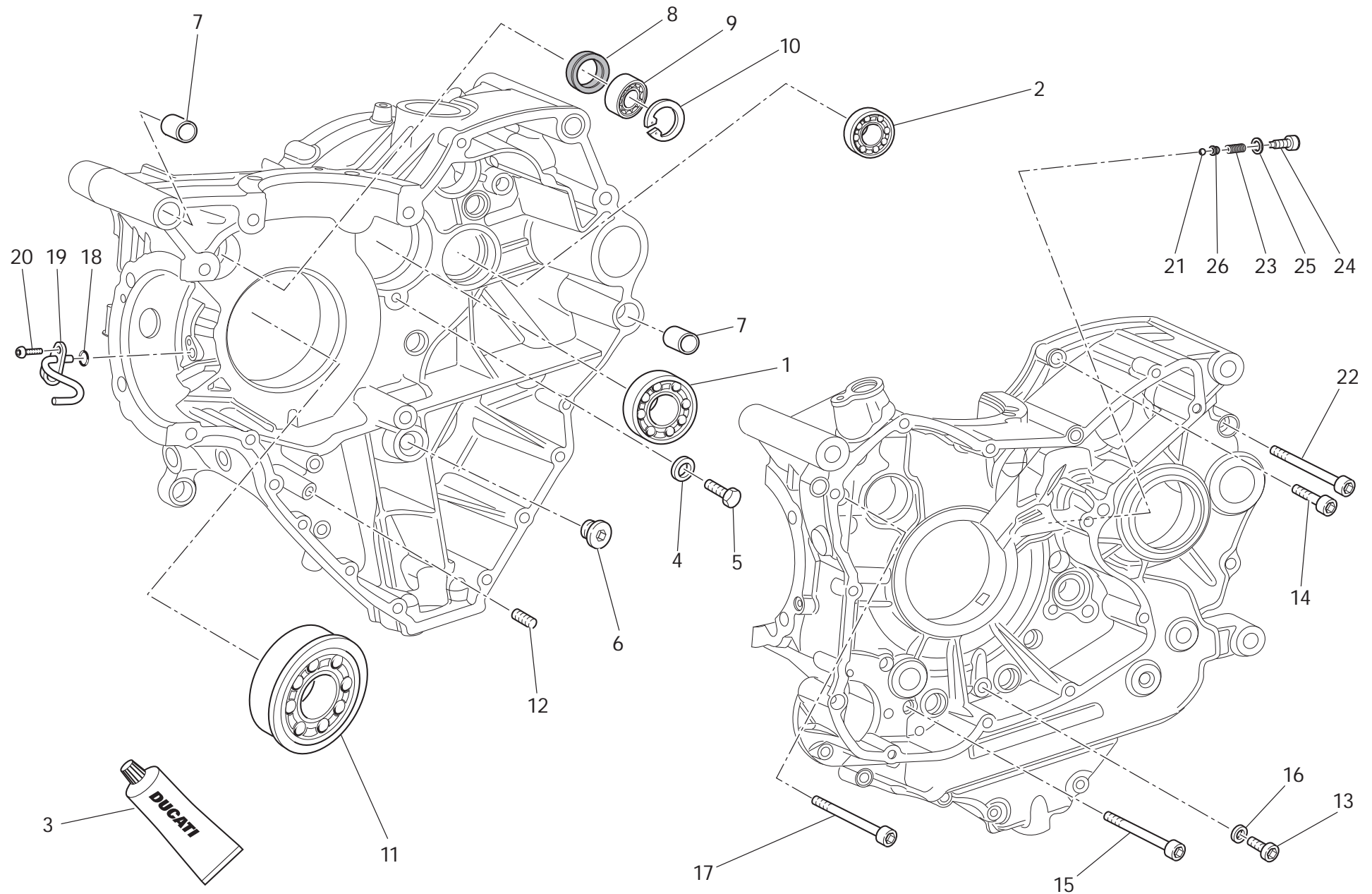
CATALOGUE No: 915.1.280.1G
ISSUED: 06 - 10

NOTES NO.	CODE NO.	DESCRIPTION	VALIDITY	Q.TY 
28	886.4.033.1A	O-ring		2
29	775.5.021.1A	Screw		1
30	853.1.003.1A	Spring washer		1

CATALOGUE No: 915.1.280.1G
ISSUED: 06 - 10


848 EVO

DRAWING 010a Crankcase halves



848EVO

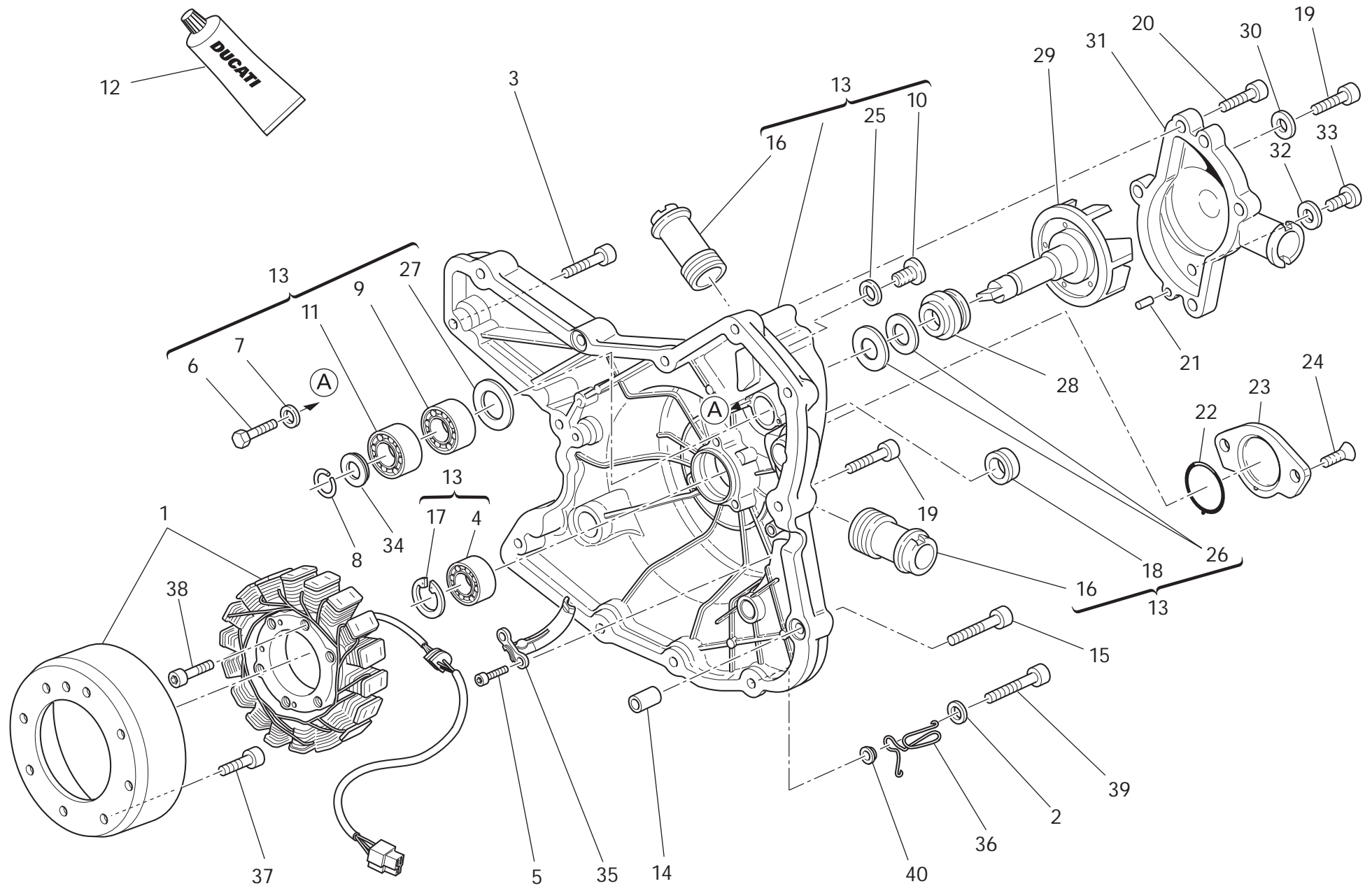
DRAWING **010a** Crankcase halves

NOTES NO.	CODE NO.	DESCRIPTION	VALIDITY	Q.TY 
1	702.5.019.1A	Bearing		1
2	702.4.033.1A	Bearing		1
3	94247.0014	Fluid sealant		1
4	713.1.140.1A	Spacer		2
5	770.5.250.8B	Screw		2
6	780.1.072.1A	Cap		1
7	711.1.095.1A	Bush		2
8	930.4.123.1A	Seal ring		1
9	75794.1542	Bearing		1
10	73503.3380	Circlip		1
11	702.4.093.1A	Bearing		1
12	779.5.062.1A	Threaded dowel		1
13	773.5.061.8B	Screw		1
14	771.5.072.8B	Screw		8
15	771.5.080.8B	Screw		2
16	852.5.023.1A	Gasket		1
17	771.5.139.8B	Screw		2
18	886.5.013.1A	O-Ring		1
19	875.1.146.1A	Jet		1
20	775.1.031.1B	Screw		1
21	8474.006.1A	Ball		1
22	771.5.136.8B	Screw		3
23	799.4.012.1A	Spring		1
24	779.1.650.1AE	Special screw		1
25	852.1.246.1A	Washer		1
26	831.1.015.1A	Plate		1

NOTES NO.	CODE NO.	DESCRIPTION	VALIDITY	Q.TY 
-----------	----------	-------------	----------	--

CATALOGUE No: 915.1.280.1G
ISSUED: 06 - 10

CATALOGUE No: 915.1.280.1G
ISSUED: 06 - 10




848 EVO

DRAWING **011**

Water pump-alt-r-side crnkcase cover

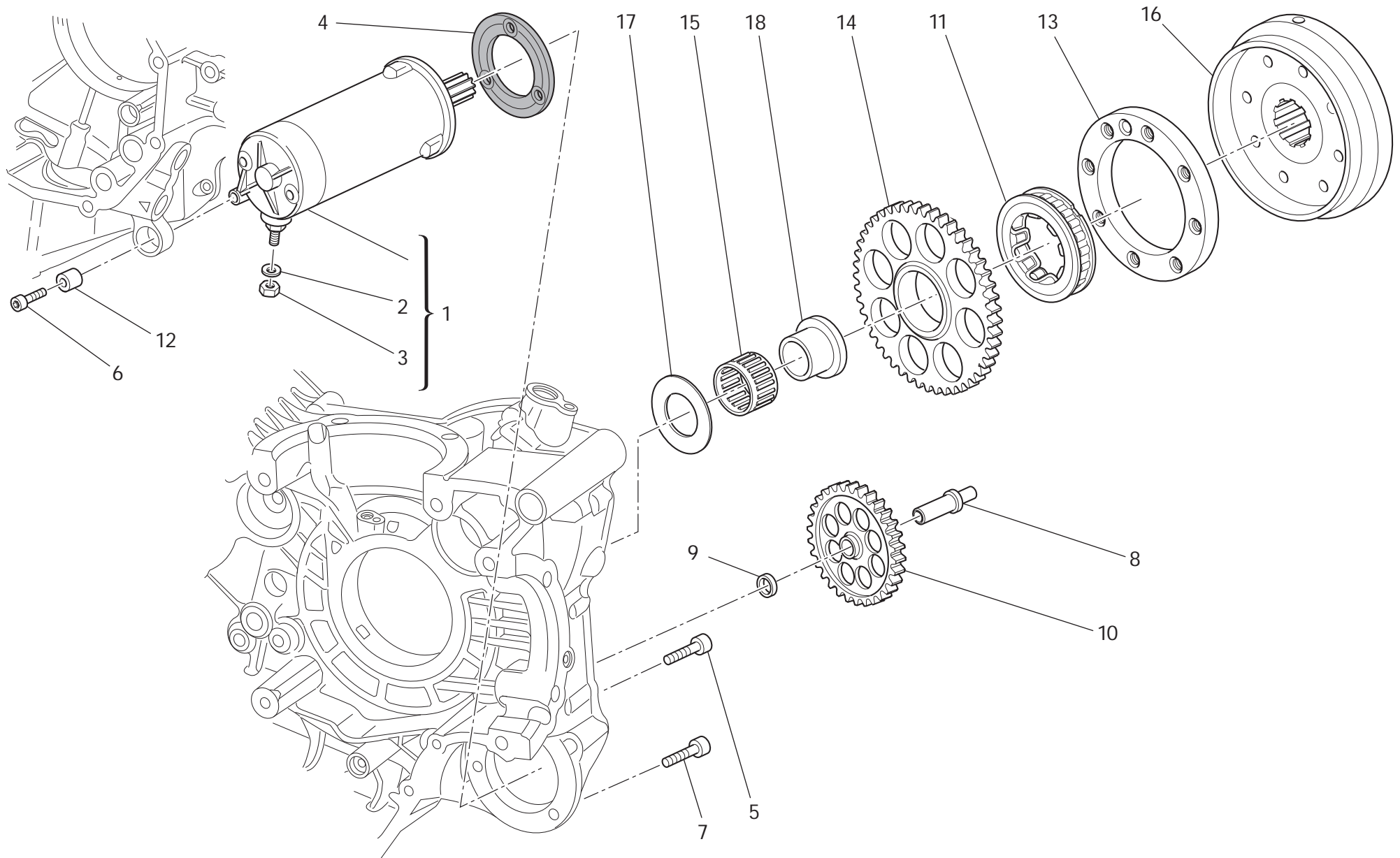
NOTES NO.	CODE NO.	DESCRIPTION	VALIDITY	Q.TY 
1	264.2.010.3A	Generator "KOKUSAN"		1
2	852.1.264.1A	Washer		1
3	771.5.067.3B	Screw		2
4	702.5.008.1A	Bearing		1
5	771.5.064.8B	Screw		2
6	770.5.250.8B	Screw		2
7	852.1.172.1A	Washer		2
8	884.5.011.1A	A 10 Ring		1
9	702.4.010.2A	Bearing		1
10	779.1.026.2A	Screw		1
11	702.4.009.1A	Bearing		1
12	94247.0014	Fluid sealant		1
13	242.2.088.1BC	Generator cover		1
14	711.1.160.1A	Locating bush		2
15	771.5.071.3B	Screw		2
16	668.1.001.4A	Water pump delivery filler		2
17	73503.3380	Circlip		1
18	93783.1524	Seal ring		1
19	771.5.069.3B	Screw		9
20	771.5.066.3B	Screw		4
21	860.1.004.1A	Locating dowel		2
22	886.1.095.1A	O-ring		1
23	2471.305.1AF	Cover		1
24	7775.049.3C	Screw		2
25	852.5.026.1A	Aluminium gasket th.1,5		1
26	930.5.005.1A	Seal		1
27	713.1.128.1B	Spacer		1

CATALOGUE No: 915.1.280.1G
ISSUED: 06 - 10

NOTES NO.	CODE NO.	DESCRIPTION	VALIDITY	Q.TY 
28	930.5.006.2B	Mechanical seal		1
29	251.2.008.1A	Water pump fan		1
30	852.5.023.1A	Gasket		1
31	2472.130.1AC	Complete water pump cover		1
32	852.5.024.1A	Gasket th.1		1
33	780.5.001.2A	Cap		1
34	852.1.114.1A	Washer		1
35	830.1.235.1A	Bracket		1
36	881.1.051.1A	Holder		1
37	779.4.075.1A	Screw		8
38	771.1.047.1A	Screw		3
39	771.5.072.3B	Screw		1
40	713.1.365.1A	Spacer		1


CATALOGUE No: 915.1.280.1G
ISSUED: 06 - 10

DRAWING 012 Electric starting and ignition



848EVO

DRAWING **012** Electric starting and ignition

NOTES NO.	CODE NO.	DESCRIPTION	VALIDITY	Q.TY 
1	270.4.010.3A	Complete starter motor		1
2	853.1.003.1A	Spring washer		1
3	750.1.121.1A	Nut		1
4	788.1.054.2A	Starter motor gasket		1
5	771.1.049.1A	Screw		2
6	771.5.072.3B	Screw		1
7	771.1.052.1A	Screw		1
8	821.1.347.1A	Intermediate gear pin		1
9	713.1.919.1A	Spacer		1
10	176.1.020.1A	Intermediate gear assembly		1
11	701.4.023.1A	Starter clutch		1
12	700.1.036.1A	Flexible bush		1
13	160.1.097.1A	Flange		1
14	173.1.022.1A	Electric starter driven gear		1
15	702.4.018.1A	Needle bearing		1
16	276.1.044.1A	Ignition flywheel		1
17	856.1.075.1A	Shim		1
18	881.1.034.1A	Inner ring		1

NOTES NO.	CODE NO.	DESCRIPTION	VALIDITY	Q.TY 
-----------	----------	-------------	----------	--

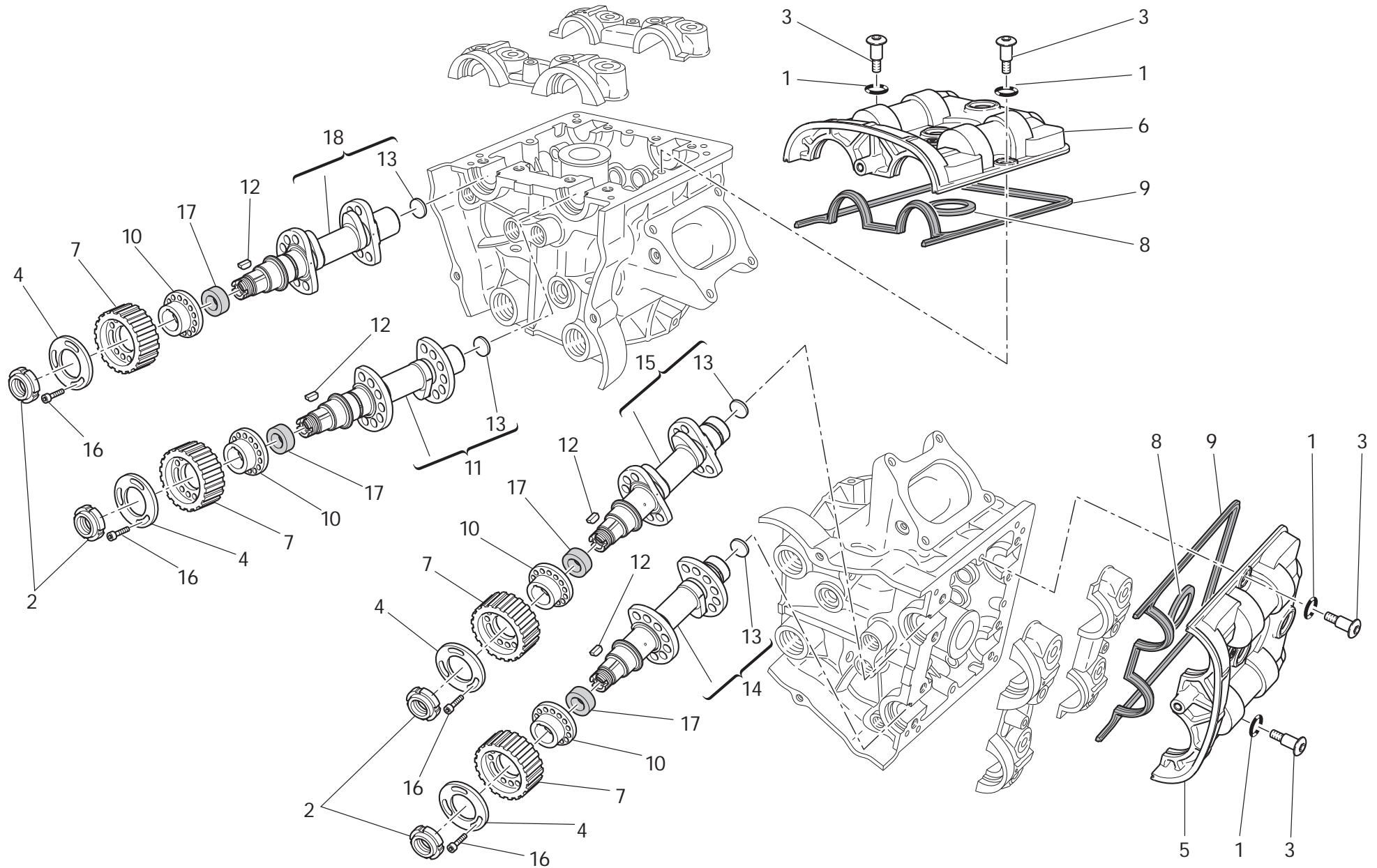
CATALOGUE No: 915.1.280.1G
ISSUED: 06 - 10

CATALOGUE No: 915.1.280.1G
ISSUED: 06 - 10

848 EVO


DRAWING 013

Cylinder head : timing system



848 EVO

DRAWING **013** Cylinder head : timing system

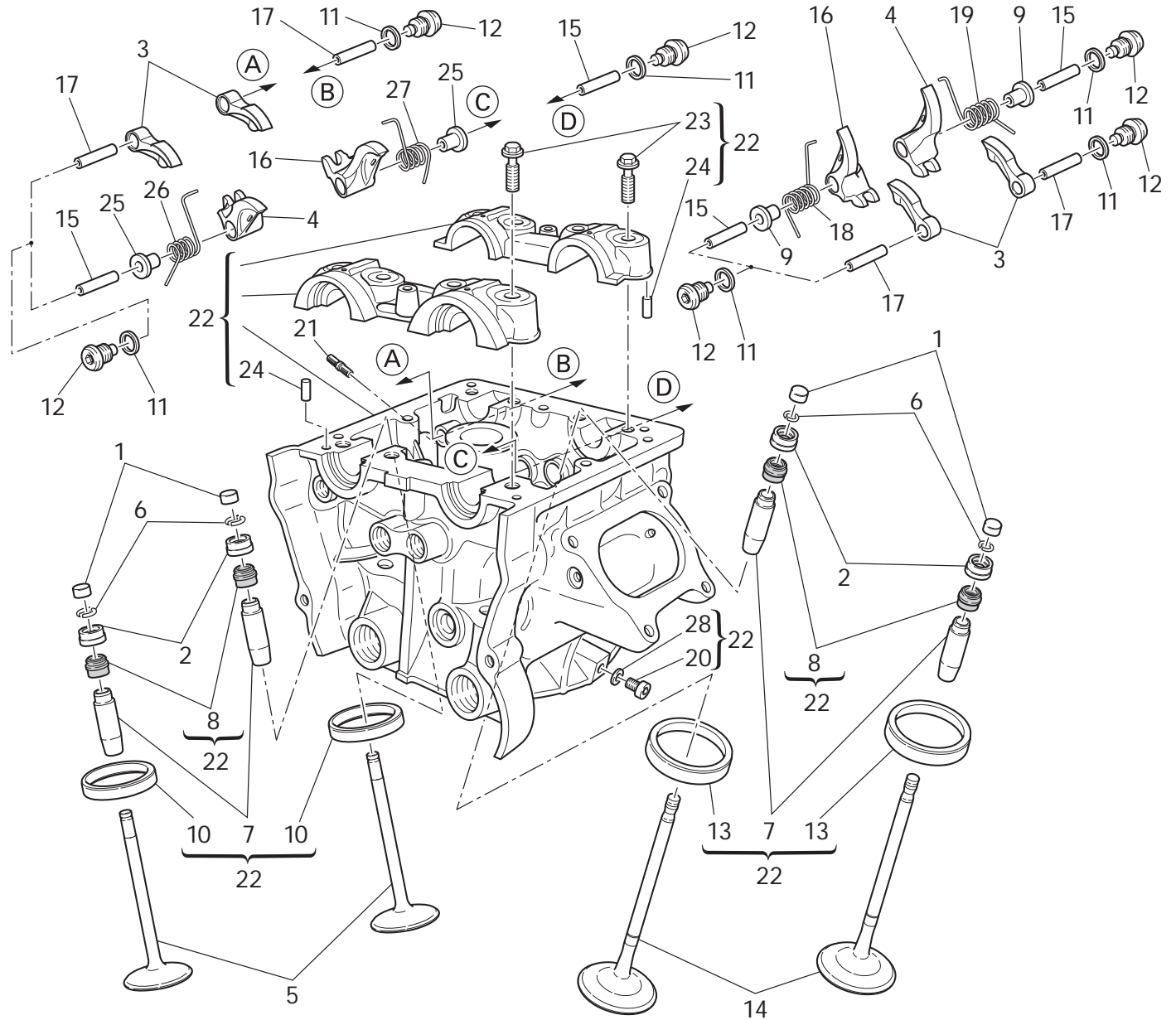
NOTES NO.	CODE NO.	DESCRIPTION	VALIDITY	Q.TY 
1	886.5.051.1A	O-ring		8
2	703.5.002.2A	Ring nut		4
3	779.1.509.3A	Special screw		8
4	856.1.074.2A	Special washer		4
5	247.1.287.1B	Horizontal cover		1
6	247.1.288.1B	Vertical cover		1
7	255.1.019.3A	Timing belt roller		4
8	788.1.094.1A	Gasket		2
9	788.1.093.1A	Head gasket		2
10	160.1.094.1A	Spacer		4
11	148.2.347.1C	Vertical intake camshaft		1
12	680.5.006.1A	Woodruff key		4
13	873.1.005.1A	Cap		4
14	148.2.348.1C	Horizontal exhaust camshaft		1
15	148.2.346.1C	Horizontal intake camshaft		1
16	779.5.030.2A	Screw		12
17	930.5.007.1A	Seal ring		4
18	148.2.349.1C	Vertical exhaust camshaft		1

NOTES NO.	CODE NO.	DESCRIPTION	VALIDITY	Q.TY 
-----------	----------	-------------	----------	--

CATALOGUE No: 915.1.280.1G
ISSUED: 06 - 10

CATALOGUE No: 915.1.280.1G
ISSUED: 06 - 10


1	2
Registro bilanc. apertura	Registro bilanc. chiusura
Adjustment	Adjustment
Réglage	Réglage
Ventilkäppchen	Ventilkäppchen
840.1.031.1A - 1,8	840.1.041.2B - 2,2
840.1.032.1A - 1,85	840.1.042.2B - 2,25
840.1.033.1A - 1,9	840.1.043.2B - 2,3
840.1.034.1A - 1,95	840.1.044.2B - 2,35
840.1.001.1A - 2,0	840.1.045.2B - 2,4
840.1.002.1A - 2,05	840.1.046.2B - 2,45
840.1.003.1A - 2,1	840.1.047.2B - 2,5
840.1.004.1A - 2,15	840.1.048.2B - 2,55
840.1.005.1A - 2,2	840.1.049.2B - 2,6
840.1.006.1A - 2,25	840.1.050.2B - 2,65
840.1.007.1A - 2,3	840.1.051.2B - 2,7
840.1.008.1A - 2,35	840.1.052.2B - 2,75
840.1.009.1A - 2,4	840.1.053.2B - 2,8
840.1.010.1A - 2,45	840.1.054.2B - 2,85
840.1.011.1A - 2,5	840.1.055.2B - 2,9
840.1.012.1A - 2,55	840.1.056.2B - 2,95
840.1.013.1A - 2,6	840.1.057.2B - 3,0
840.1.014.1A - 2,65	840.1.058.2B - 3,05
840.1.015.1A - 2,7	840.1.059.2B - 3,1
840.1.016.1A - 2,75	840.1.060.2B - 3,15
840.1.017.1A - 2,8	840.1.061.2B - 3,2
840.1.018.1A - 2,85	840.1.062.2B - 3,25
840.1.019.1A - 2,9	840.1.063.2B - 3,3
840.1.020.1A - 2,95	840.1.064.2B - 3,35
840.1.021.1A - 3,0	840.1.065.2B - 3,4
840.1.022.1A - 3,05	840.1.066.2B - 3,45
840.1.023.1A - 3,1	840.1.067.2B - 3,5
840.1.024.1A - 3,15	840.1.068.2B - 3,55
840.1.025.1A - 3,2	840.1.069.2B - 3,6
840.1.026.1A - 3,25	840.1.070.2B - 3,65
840.1.027.1A - 3,3	840.1.071.2B - 3,7
840.1.028.1A - 3,35	840.1.072.2B - 3,75
840.1.029.1A - 3,4	840.1.073.2B - 3,8
840.1.030.1A - 3,45	840.1.074.2B - 3,85
	840.1.075.2B - 3,9
	840.1.076.2B - 3,95
	840.1.077.2B - 4,0
	840.1.078.2B - 4,05
	840.1.079.2B - 4,1
	840.1.080.2B - 4,15
	840.1.081.2B - 4,2
	840.1.082.2B - 4,25
	840.1.083.2B - 4,3
	840.1.084.2B - 4,35
	840.1.085.2B - 4,4
	840.1.086.2B - 4,45
	840.1.087.2B - 4,5




848^{EVO}

DRAWING **014**

Vertical cylinder head

NOTES NO.	CODE NO.	DESCRIPTION	VALIDITY	Q.TY 
1	See table		4
2	See table		4
3	208.1.032.1A	Opening rocker		4
4	209.1.050.1A	Closing rocker (L.H.)		2
5	211.1.074.1A	Exhaust valve		2
6	669.1.001.1E	Split rings		8
7	303.1.063.1BB	Oversize valve guide 0.03		4
7	303.1.063.1BC	Oversize valve guide 0.06		4
7	303.1.063.1BD	Oversize valve guide 0.09		4
8	764.1.087.1A	Valve seal		4
9	713.1.292.1A	Spacer		2
10	304.1.085.1A	Exhaust valve seat		2
10	304.1.085.1AB	Oversize exhaust valve seat 0.03		2
10	304.1.085.1AC	Oversize exhaust valve seat 0.06		2
11	852.5.026.1B	Aluminium gasket th.1,5		8
12	780.1.051.2A	Cap		8
13	304.1.084.1A	Intake valve seat		2
13	304.1.084.1AB	Oversize intake valve seat 0.03		2
13	304.1.084.1AC	Oversize intake valve seat 0.06		2
14	210.1.074.1D	Intake valve		2
15	821.1.223.1B	Closing rocker shaft		4
16	209.1.049.1A	Closing rocker (R.H.)		2
17	821.1.222.1B	Opening rocker shaft		4
18	799.1.486.1A	Valve return spring (R.H.)		1
19	799.1.485.1A	Valve return spring (L.H.)		1
20	773.5.061.8B	Screw		1
21	766.4.019.1A	Stud bolt		3

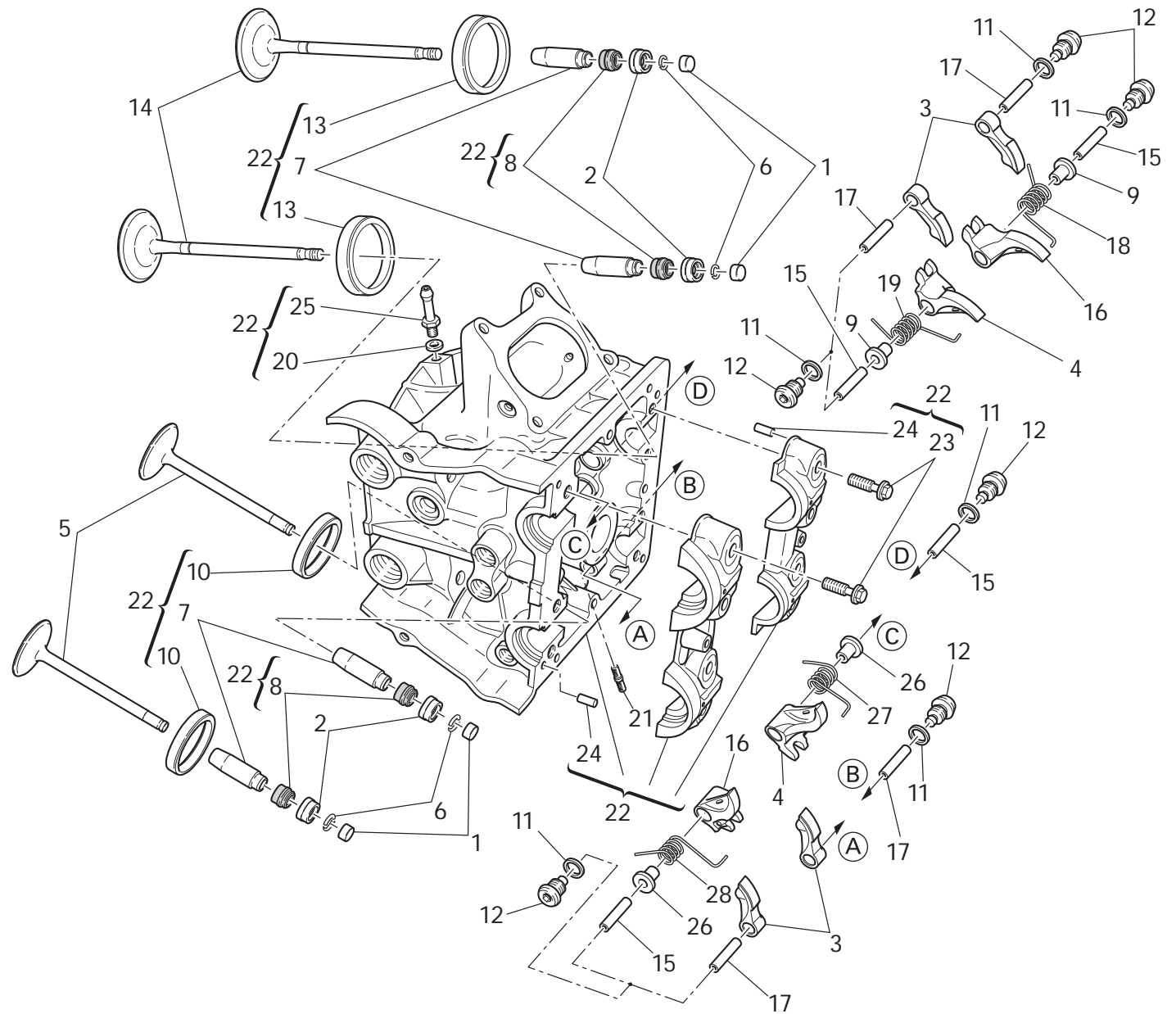
CATALOGUE No: 915.1.280.1G
ISSUED: 06 - 10

NOTES NO.	CODE NO.	DESCRIPTION	VALIDITY	Q.TY 
22	301.2.279.2A	Complete vertical head		1
23	779.1.421.1A	Special screw		8
24	860.5.006.1A	Pin		4
25	713.1.292.1B	Spacer		2
26	799.1.518.1A	Valve return spring (L.H.)		1
27	799.1.519.1A	Valve return spring (R.H.)		1
28	852.5.023.1A	Gasket		1

CATALOGUE No: 915.1.280.1G
ISSUED: 06 - 10

DRAWING 015 Horizontal cylinder head


1	2
Registro bilanc. apertura	Registro bilanc. chiusura
Adjustment	Adjustment
Réglage	Réglage
Ventilköppchen	Ventilköppchen
840.1.031.1A - 1,8	840.1.041.2B - 2,2
840.1.032.1A - 1,85	840.1.042.2B - 2,25
840.1.033.1A - 1,9	840.1.043.2B - 2,3
840.1.034.1A - 1,95	840.1.044.2B - 2,35
840.1.001.1A - 2,0	840.1.045.2B - 2,4
840.1.002.1A - 2,05	840.1.046.2B - 2,45
840.1.003.1A - 2,1	840.1.047.2B - 2,5
840.1.004.1A - 2,15	840.1.048.2B - 2,55
840.1.005.1A - 2,2	840.1.049.2B - 2,6
840.1.006.1A - 2,25	840.1.050.2B - 2,65
840.1.007.1A - 2,3	840.1.051.2B - 2,7
840.1.008.1A - 2,35	840.1.052.2B - 2,75
840.1.009.1A - 2,4	840.1.053.2B - 2,8
840.1.010.1A - 2,45	840.1.054.2B - 2,85
840.1.011.1A - 2,5	840.1.055.2B - 2,9
840.1.012.1A - 2,55	840.1.056.2B - 2,95
840.1.013.1A - 2,6	840.1.057.2B - 3,0
840.1.014.1A - 2,65	840.1.058.2B - 3,05
840.1.015.1A - 2,7	840.1.059.2B - 3,1
840.1.016.1A - 2,75	840.1.060.2B - 3,15
840.1.017.1A - 2,8	840.1.061.2B - 3,2
840.1.018.1A - 2,85	840.1.062.2B - 3,25
840.1.019.1A - 2,9	840.1.063.2B - 3,3
840.1.020.1A - 2,95	840.1.064.2B - 3,35
840.1.021.1A - 3,0	840.1.065.2B - 3,4
840.1.022.1A - 3,05	840.1.066.2B - 3,45
840.1.023.1A - 3,1	840.1.067.2B - 3,5
840.1.024.1A - 3,15	840.1.068.2B - 3,55
840.1.025.1A - 3,2	840.1.069.2B - 3,6
840.1.026.1A - 3,25	840.1.070.2B - 3,65
840.1.027.1A - 3,3	840.1.071.2B - 3,7
840.1.028.1A - 3,35	840.1.072.2B - 3,75
840.1.029.1A - 3,4	840.1.073.2B - 3,8
840.1.030.1A - 3,45	840.1.074.2B - 3,85
	840.1.075.2B - 3,9
	840.1.076.2B - 3,95
	840.1.077.2B - 4,0
	840.1.078.2B - 4,05
	840.1.079.2B - 4,1
	840.1.080.2B - 4,15
	840.1.081.2B - 4,2
	840.1.082.2B - 4,25
	840.1.083.2B - 4,3
	840.1.084.2B - 4,35
	840.1.085.2B - 4,4
	840.1.086.2B - 4,45
	840.1.087.2B - 4,5




848^{EVO}

DRAWING **015**

Horizontal cylinder head

NOTES NO.	CODE NO.	DESCRIPTION	VALIDITY	Q.TY 
1	See table		4
2	See table		4
3	208.1.032.1A	Opening rocker		4
4	209.1.050.1A	Closing rocker (L.H.)		2
5	211.1.074.1A	Exhaust valve		2
6	669.1.001.1E	Split rings		8
7	303.1.063.1BB	Oversize valve guide 0.03		4
7	303.1.063.1BC	Oversize valve guide 0.06		4
7	303.1.063.1BD	Oversize valve guide 0.09		4
8	764.1.087.1A	Valve seal		4
9	713.1.292.1A	Spacer		2
10	304.1.085.1A	Exhaust valve seat		2
10	304.1.085.1AB	Oversize exhaust valve seat 0.03		2
10	304.1.085.1AC	Oversize exhaust valve seat 0.06		2
11	852.5.026.1B	Aluminium gasket th.1,5		8
12	780.1.051.2A	Cap		8
13	304.1.084.1A	Intake valve seat		2
13	304.1.084.1AB	Oversize intake valve seat 0.03		2
13	304.1.084.1AC	Oversize intake valve seat 0.06		2
14	210.1.074.1D	Intake valve		2
15	821.1.223.1B	Closing rocker shaft		4
16	209.1.049.1A	Closing rocker (R.H.)		2
17	821.1.222.1B	Opening rocker shaft		4
18	799.1.486.1A	Valve return spring (R.H.)		1
19	799.1.485.1A	Valve return spring (L.H.)		1
20	852.5.023.1A	Gasket		1
21	766.4.019.1A	Stud bolt		3

CATALOGUE No: 915.1.280.1G
ISSUED: 06 - 10

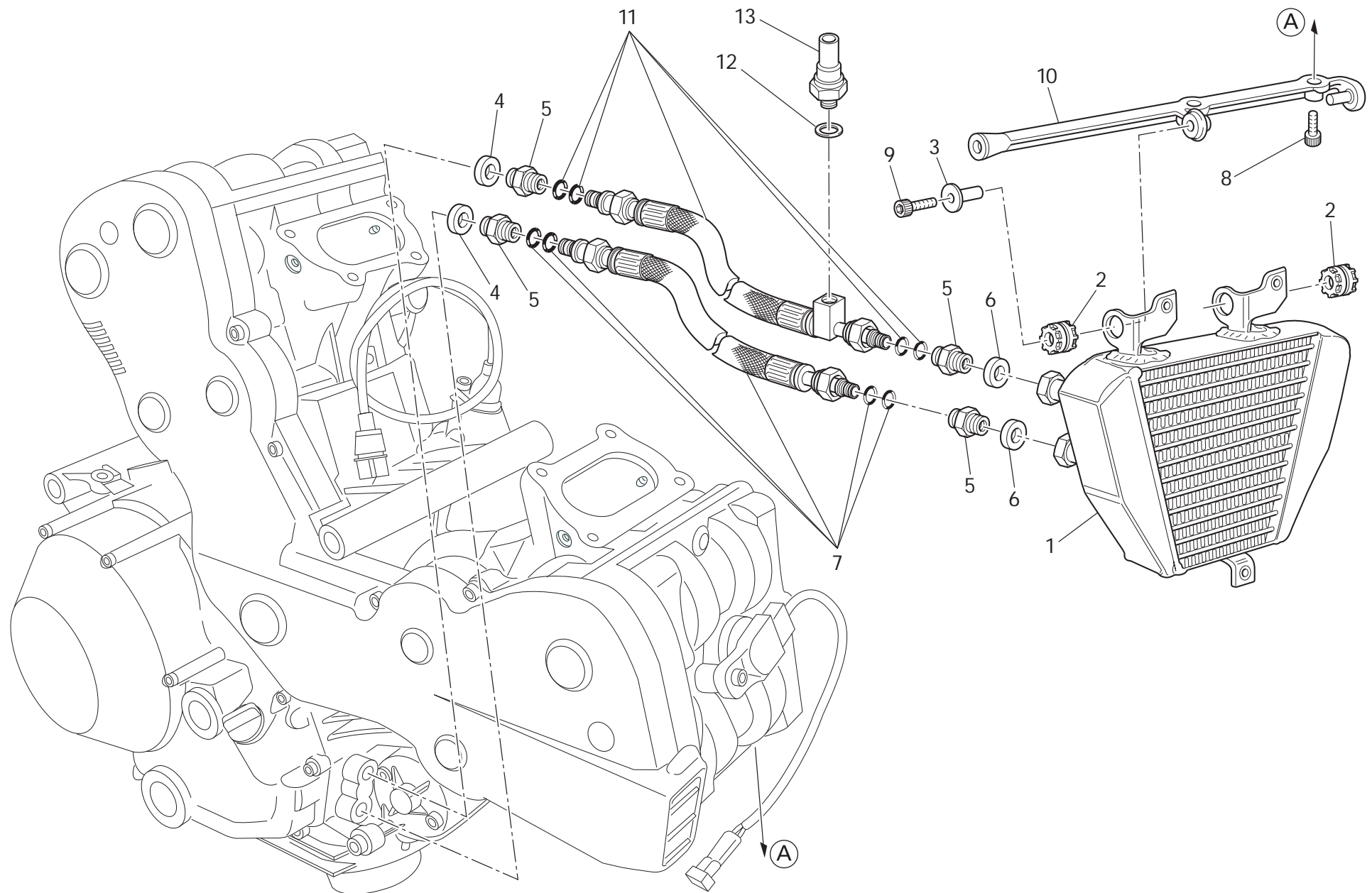
NOTES NO.	CODE NO.	DESCRIPTION	VALIDITY	Q.TY 
22	301.2.278.2A	Complete horizontal head		1
23	779.1.421.1A	Special screw		8
24	860.5.006.1A	Pin		4
25	814.1.188.1A	Union		1
26	713.1.292.1B	Spacer		2
27	799.1.518.1A	Valve return spring (L.H.)		1
28	799.1.519.1A	Valve return spring (R.H.)		1

CATALOGUE No: 915.1.280.1G
ISSUED: 06 - 10

848 EVO


DRAWING 016

Oil cooler



848^{EVO}

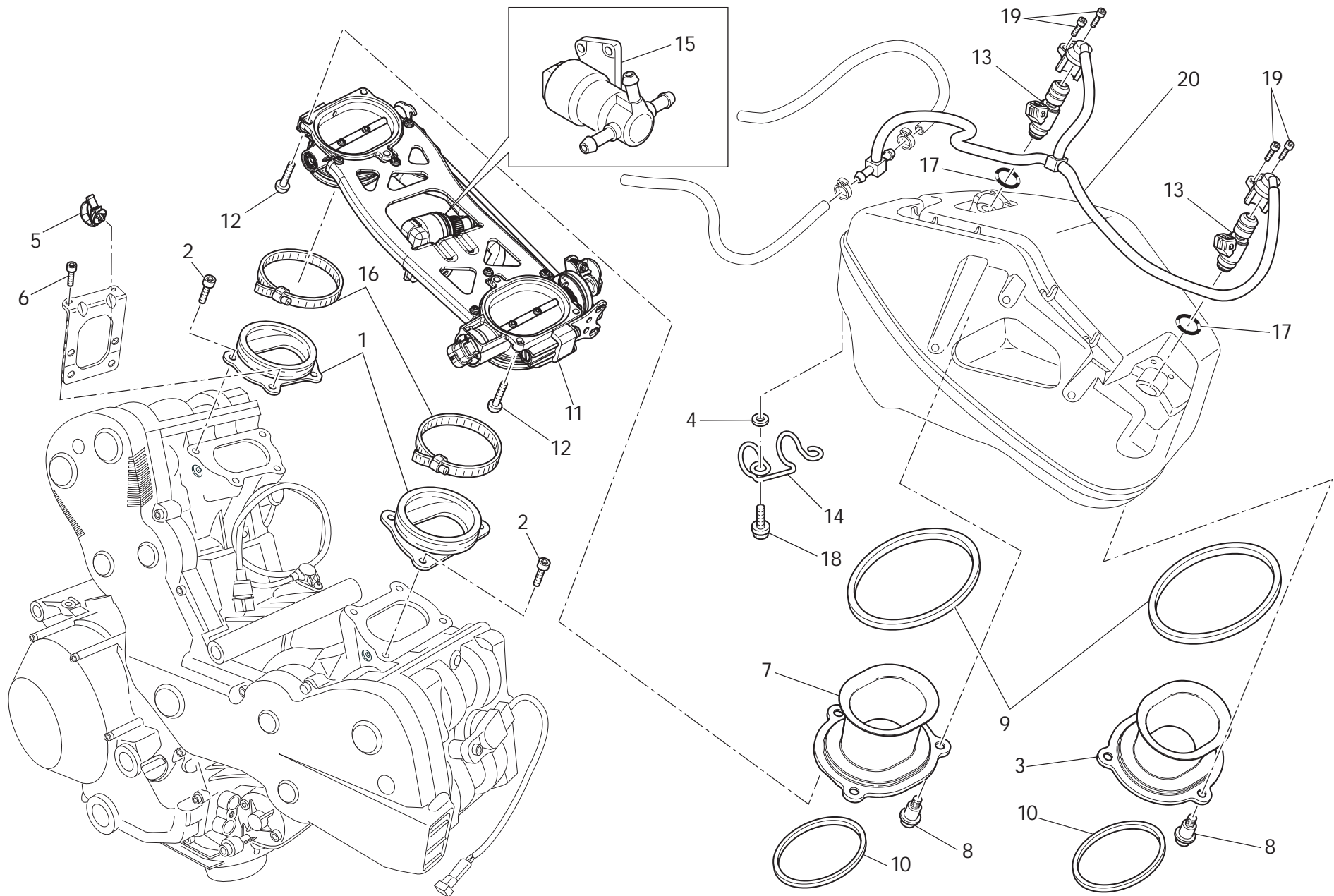
DRAWING **016** Oil cooler

NOTES NO.	CODE NO.	DESCRIPTION	VALIDITY	Q.TY 
1	548.4.082.1A	Oil cooler		1
2	764.1.022.1A	Vibration damper pad		2
3	716.1.409.1A	Spacer		1
4	787.1.011.1A	Aluminium gasket th.2		2
5	815.1.022.1A	Nipple		4
6	420.2.006.4A	Aluminium gasket		2
7	549.1.030.1A	Oil pipe		1
8	771.5.064.8B	Screw		2
9	771.5.069.8B	Screw		1
10	830.1.409.1A	Bracket		1
11	549.1.099.1A	Oil delivery pipe		1
12	852.1.195.1A	Washer		1
13	539.4.030.2A	Engine oil pressure sensor		1

NOTES NO.	CODE NO.	DESCRIPTION	VALIDITY	Q.TY 
-----------	----------	-------------	----------	--


CATALOGUE No: 915.1.280.1G
ISSUED: 06 - 10

CATALOGUE No: 915.1.280.1G
ISSUED: 06 - 10



848 EVO

DRAWING **017** Throttle body

NOTES NO.	CODE NO.	DESCRIPTION	VALIDITY	Q.TY 
1	140.1.048.1B	Intake manifold		2
2	771.5.065.8B	Screw		6
3	135.1.028.1A	Intake duct		1
4	852.4.013.1A	Washer		2
5	758.4.017.1A	Clamp		2
6	771.1.233.1A	Screw		2
7	135.1.023.2A	Intake duct		1
8	772.1.085.2A	Special screw		6
9	788.1.096.2A	Gasket		2
10	788.1.097.2A	Gasket		2
11	282.4.088.1A	Complete throttle body		1
12	775.1.017.1C	Screw		6
13	280.4.016.1A	Injector		2
14	758.1.039.2A	Hose guide		1
15	283.4.011.1A	Stepper motor		1
16	741.4.187.1A	Clamp		2
17	886.4.089.1A	O-ring		2
18	772.1.110.1A	Screw		2
19	773.1.005.1A	Screw		4
20	590.2.025.4A	Complete pipe set		1

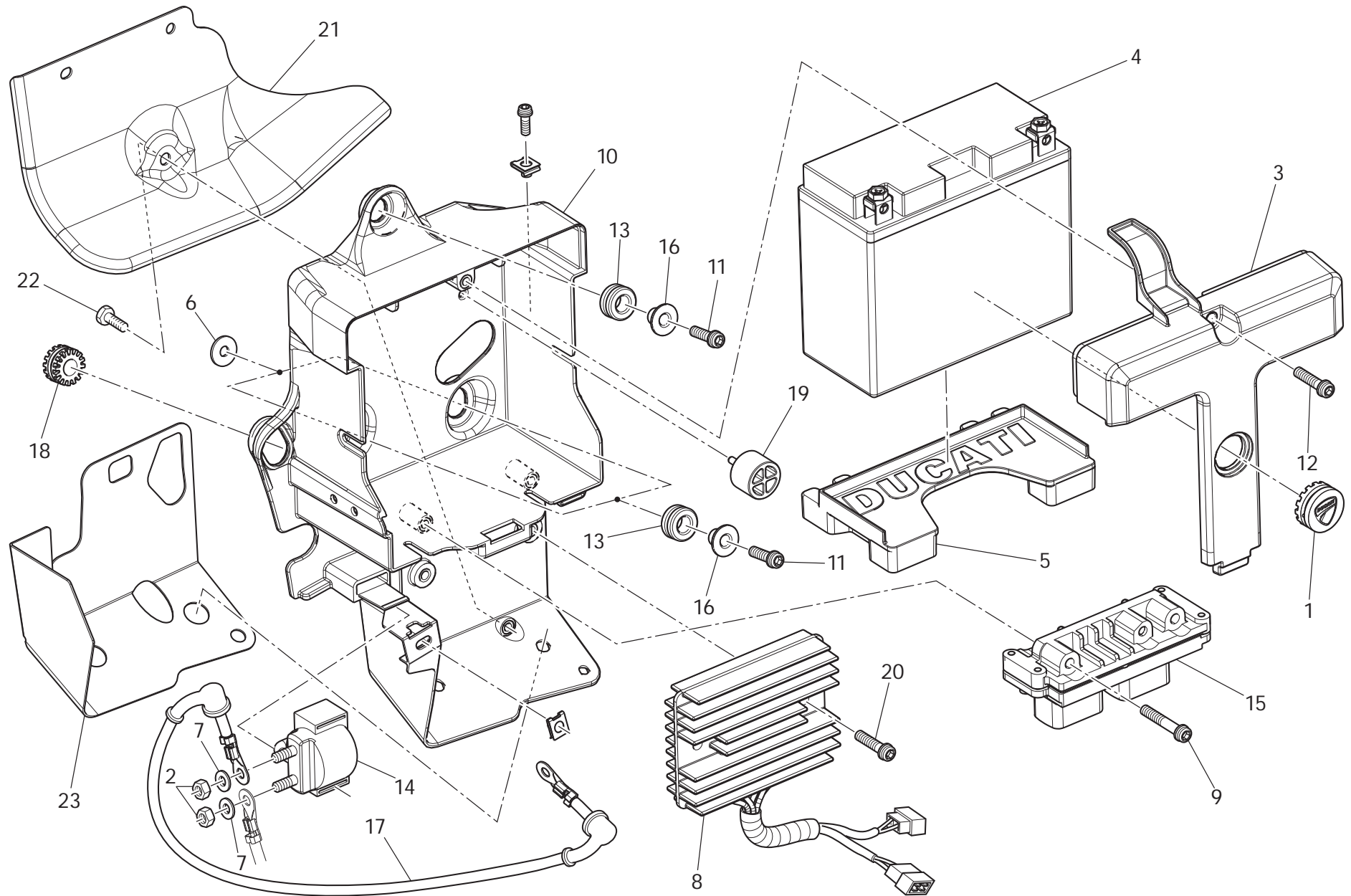
NOTES NO.	CODE NO.	DESCRIPTION	VALIDITY	Q.TY 
-----------	----------	-------------	----------	--

CATALOGUE No: 915.1.280.1G
ISSUED: 06 - 10

CATALOGUE No: 915.1.280.1G
ISSUED: 06 - 10

848 EVO

DRAWING 018 Battery support



848 EVO

DRAWING **018** Battery support

NOTES NO.	CODE NO.	DESCRIPTION	VALIDITY	Q.TY 
1	764.1.062.1B	Rubber pad		1
2	750.5.005.1A	Nut		2
3	247.1.297.1A	Cover		1
4	395.2.013.1C	Battery		1
5	866.1.078.1A	Battery resting buffer		1
6	852.5.029.1A	Washer		2
7	853.5.010.1A	Spring washer		2
8	540.4.019.1A	Regulator		1
9	771.5.672.8B	Screw		2
10	829.1.939.2A	Battery box mount		1
11	771.5.667.8B	Screw		3
12	771.5.669.8B	Screw		1
13	764.1.090.1A	Rubber pad		3
14	397.4.003.1B	Remote switch		1
15	286.4.203.1C	Injection control unit		1
16	716.1.106.1A	Spacer		3
17	514.1.051.1A	Solenoid starter - starter motor cable		1
18	764.1.022.1A	Vibration damper pad		1
19	866.1.079.1A	Pad		2
20	771.5.668.8B	Screw		2
21	460.1.358.1A	Battery mount heat guard		1
22	772.1.059.1A	Screw		3
23	460.1.283.2A	Protection		1

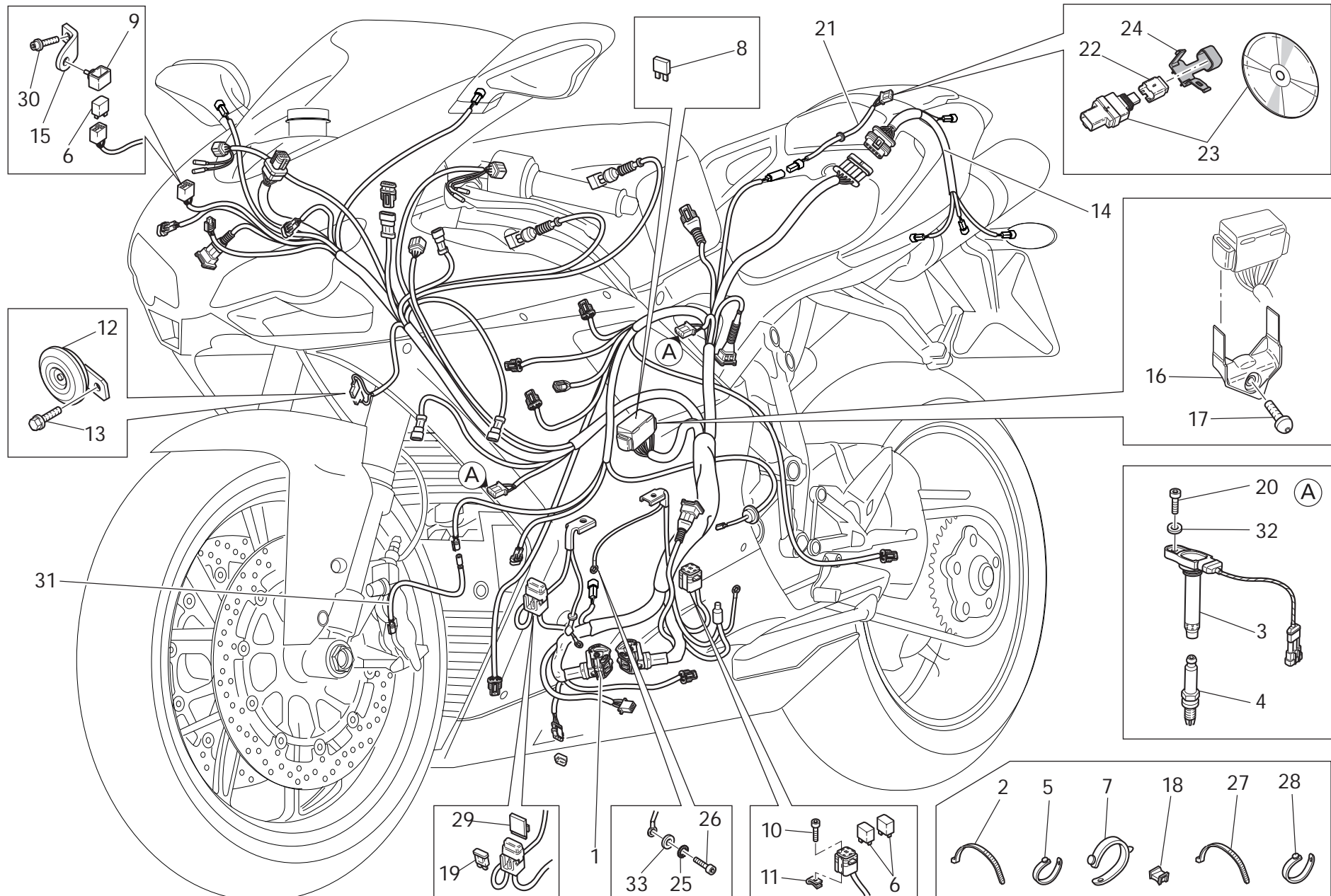
NOTES NO.	CODE NO.	DESCRIPTION	VALIDITY	Q.TY 
-----------	----------	-------------	----------	--

CATALOGUE No: 915.1.280.1G
ISSUED: 06 - 10

CATALOGUE No: 915.1.280.1G
ISSUED: 06 - 10


848 EVO

DRAWING **018a** Electrical system




848 EVO

DRAWING **018a** Electrical system

NOTES NO.	CODE NO.	DESCRIPTION	VALIDITY	Q.TY 
1	510.1.720.1B	Electric wiring		1
2	741.4.038.1A	Hose guide		11
3	380.1.014.4B	Coil		2
4	670.4.038.1A	Spark plug		2
5	741.1.010.1A	Hose guide		1
6	541.4.010.1A	Relay		3
7	8000.53724	Hose guide		5
8	389.4.019.1A	Fuse 5A		1
8	389.4.020.1A	Fuse 10A		1
8	389.4.021.1A	Fuse 15A		1
8	389.4.022.1A	Fuse 20A		1
8	389.4.024.1A	Fuse 7.5A		1
9	829.1.190.1A	Rubber holder		1
10	771.1.053.1A	Screw		1
11	850.4.047.1A	Nut with clip		1
12	516.4.001.1AB	Horn		1
13	772.1.134.1A	Screw		1
14	510.1.577.1B	Rear wiring		1
15	827.1.430.1A	Plate		1
16	829.1.756.1A	Plate		1
17	772.1.089.3B	Screw		1
18	850.4.067.1A	Clamp		4
19	389.4.023.1A	Fuse 30A		1
20	771.5.066.8B	Screw		2
21	510.1.570.1A	Data acquisition cable		1
22	872.1.053.1A	Cap (DDA)		1
23	286.2.040.1B	Data acquisition kit		1

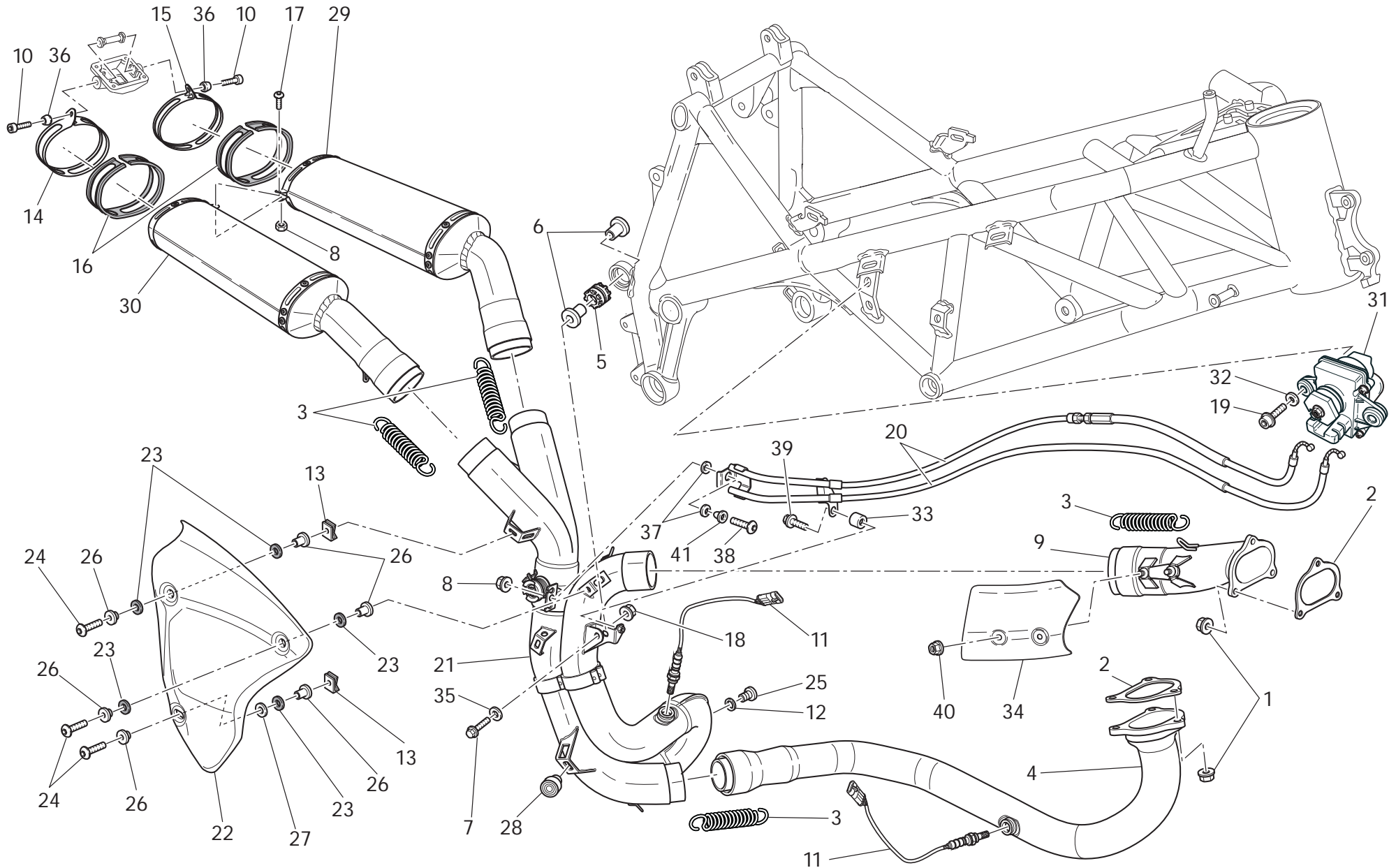
CATALOGUE No: 915.1.280.1G
ISSUED: 06 - 10

NOTES NO.	CODE NO.	DESCRIPTION	VALIDITY	Q.TY 
24	741.1.040.1A	Clamp		1
25	855.5.000.1B	Spring washer		1
26	771.5.071.8B	Screw		1
27	0691.91.030	Hose guide		18
28	741.1.012.1A	Hose guide		2
29	830.1.463.1A	Bracket (Fuse)		1
30	771.5.640.8B	Screw		1
31	510.1.727.1A	Cable extension (Engine oil pressure sensor)		1
32	852.1.264.1A	Washer		2
33	853.5.009.1A	Spring washer		1

CATALOGUE No: 915.1.280.1G
ISSUED: 06 - 10

848 EVO

DRAWING 019 Exhaust system




848EVO

DRAWING **019** Exhaust system

NOTES NO.	CODE NO.	DESCRIPTION	VALIDITY	Q.TY 
1	748.1.024.1A	Nut		6
2	790.1.015.1A	Exhaust gasket		2
3	799.1.263.2A	Spring		4
4	570.1.261.2A	Horizontal head exhaust pipe		1
5	764.1.024.1A	Vibration damper pad		1
6	716.1.414.1A	Spacer		2
7	772.5.038.1AB	Screw		1
8	748.1.035.1B	Nut		1
9	160.1.367.4A	Exhaust manifold		1
10	771.5.127.8B	Screw		2
11	552.1.111.1A	Lambda sensor		2
12	852.5.024.1A	Gasket th.1		2
13	850.4.055.1A	Nut with clip		2
14	741.1.038.1A	Clamp (R.H.)		1
15	741.1.037.1A	Clamp (L.H.)		1
16	788.1.100.1A	Clamp gasket		2
17	775.1.033.1A	Screw		1
18	749.4.111.8B	Nut		1
19	773.1.004.1A	Screw		2
20	732.2.021.2A	Cables unit		1
21	570.1.263.3A	Centre exhaust pipe		1
22	460.1.256.2B	Heat guard		1
23	852.1.072.1A	Washer		5
24	772.1.088.2B	Screw		3
25	780.1.007.1A	Cap		2
26	716.1.407.1A	Spacer		6
27	852.1.232.1A	Washer		1

CATALOGUE No: 915.1.280.1G
ISSUED: 06 - 10

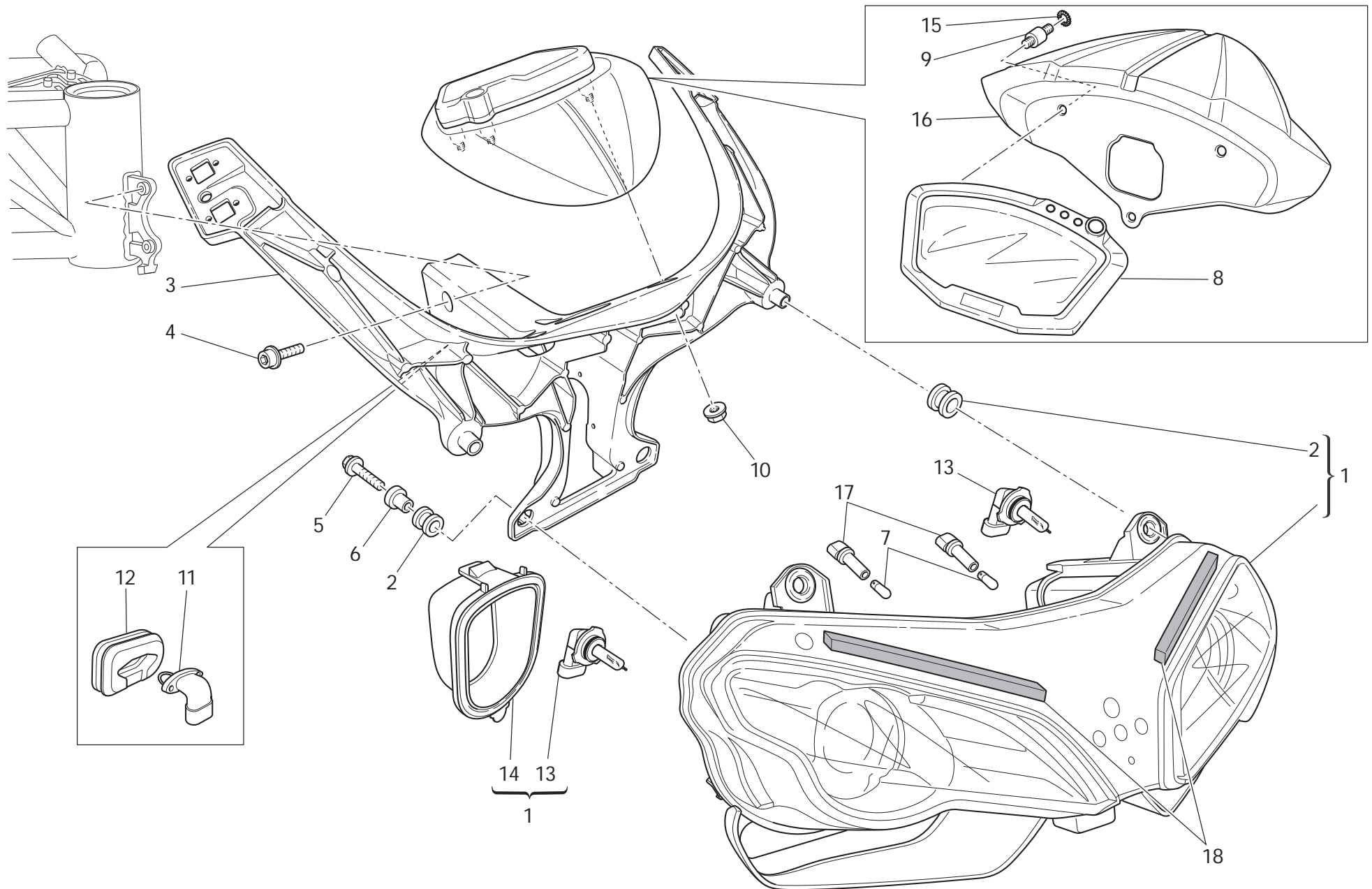
NOTES NO.	CODE NO.	DESCRIPTION	VALIDITY	Q.TY 
28	764.1.063.1A	Rubber pad		2
29	574.1.196.3C	Silencer (L.H.)		1
30	573.1.199.3C	Silencer (R.H.)		1
31	593.4.030.1A	Exhaust valve engine		1
32	852.5.009.1A	Washer		2
33	713.1.241.1A	Spacer		1
34	460.1.286.2B	Heat guard		1
35	852.1.186.1A	Washer		1
36	841.1.052.1A	Retainer		2
37	799.4.009.1A	Spring washer		2
38	775.1.004.1A	Screw		1
39	772.1.062.1A	Screw		1
40	748.1.036.1A	Nut		2
41	716.1.144.1A	Spacer		1

CATALOGUE No: 915.1.280.1G
ISSUED: 06 - 10

848 EVO


DRAWING 020

Headlight & instr. panel



848^{EVO}

DRAWING **020** Headlight & instr. panel

NOTES NO.	CODE NO.	DESCRIPTION	VALIDITY	Q.TY 
1	520.1.015.5A	Headlight		1
2	764.1.090.1A	Rubber pad		4
3	829.2.943.2A	Headlight holder		1
4	771.1.041.1A	Screw		2
5	772.5.101.8B	Screw		2
6	716.1.022.1B	Spacer		2
7	390.4.019.1A	Bulb 12V-6W H6W		2
8	406.1.073.3B	Instrument panel		1
9	700.1.043.1A	Vibration damper		3
10	748.4.038.1A	Nut		3
11	552.4.012.1A	Air temperature sensor		1
12	764.1.097.1A	Rubber pad		1
13	390.4.020.1A	Bulb 12V-55W		2
14	390.4.022.1A	Cover		2
15	462.4.046.1A	Spring washer		3
16	460.1.276.1A	Instrument panel cover		1
17	390.4.023.1A	Lamp holder		2
18	460.4.728.1A	Vibration damper		2

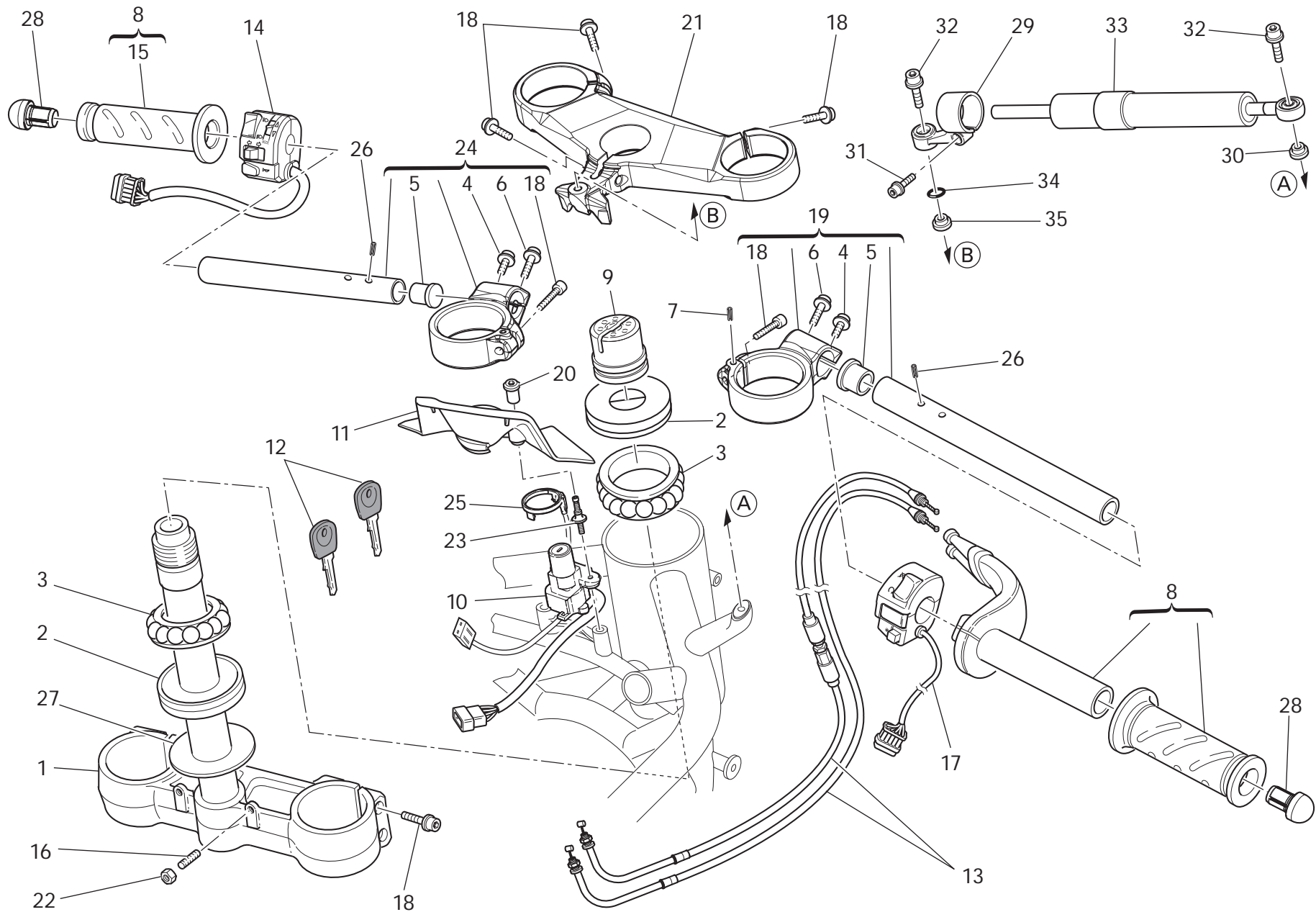
NOTES NO.	CODE NO.	DESCRIPTION	VALIDITY	Q.TY 
-----------	----------	-------------	----------	--

CATALOGUE No: 915.1.280.1G
ISSUED: 06 - 10

CATALOGUE No: 915.1.280.1G
ISSUED: 06 - 10

848 EVO

DRAWING 021 Handlebars and controls




848EVO

DRAWING **021** Handlebars and controls

NOTES NO.	CODE NO.	DESCRIPTION	VALIDITY	Q.TY 
1	342.2.055.1A	Steering head base assembly		1
2	930.1.004.1B	Seal ring		2
3	702.4.004.1A	Bearing		2
4	771.1.046.1A	Screw		2
5	872.1.048.1A	Cap		4
6	771.5.669.8B	Screw		2
7	462.4.001.1A	Spring pin		2
8	654.2.016.1A	Throttle control		1
9	703.1.013.1A	Ring nut		1
10	652.4.012.2A	Key-operated switch		1
11	460.1.263.1A	Cover		1
12	598.4.024.2A	Wrench with Transponder		1
13	656.2.003.1B	Cables unit		1
14	651.1.008.1A	Switch (L.H.)		1
15	361.1.002.1A	Grip		2
16	779.1.099.1B	Special screw		2
17	650.1.008.1A	Switch (R.H.)		1
18	771.5.725.8B	Screw		9
19	360.2.088.2A	Handlebar (R.H.)		1
20	750.1.149.1A	Nut		2
21	341.1.072.1A	Steering head		1
22	747.5.007.1A	Nut		2
23	771.1.050.1A	Screw		2
24	360.2.089.2A	Handlebar (L.H.)		1
25	518.4.004.2B	Antenna		1
26	861.5.022.1A	Spring pin		2
27	852.1.103.1A	Washer		1

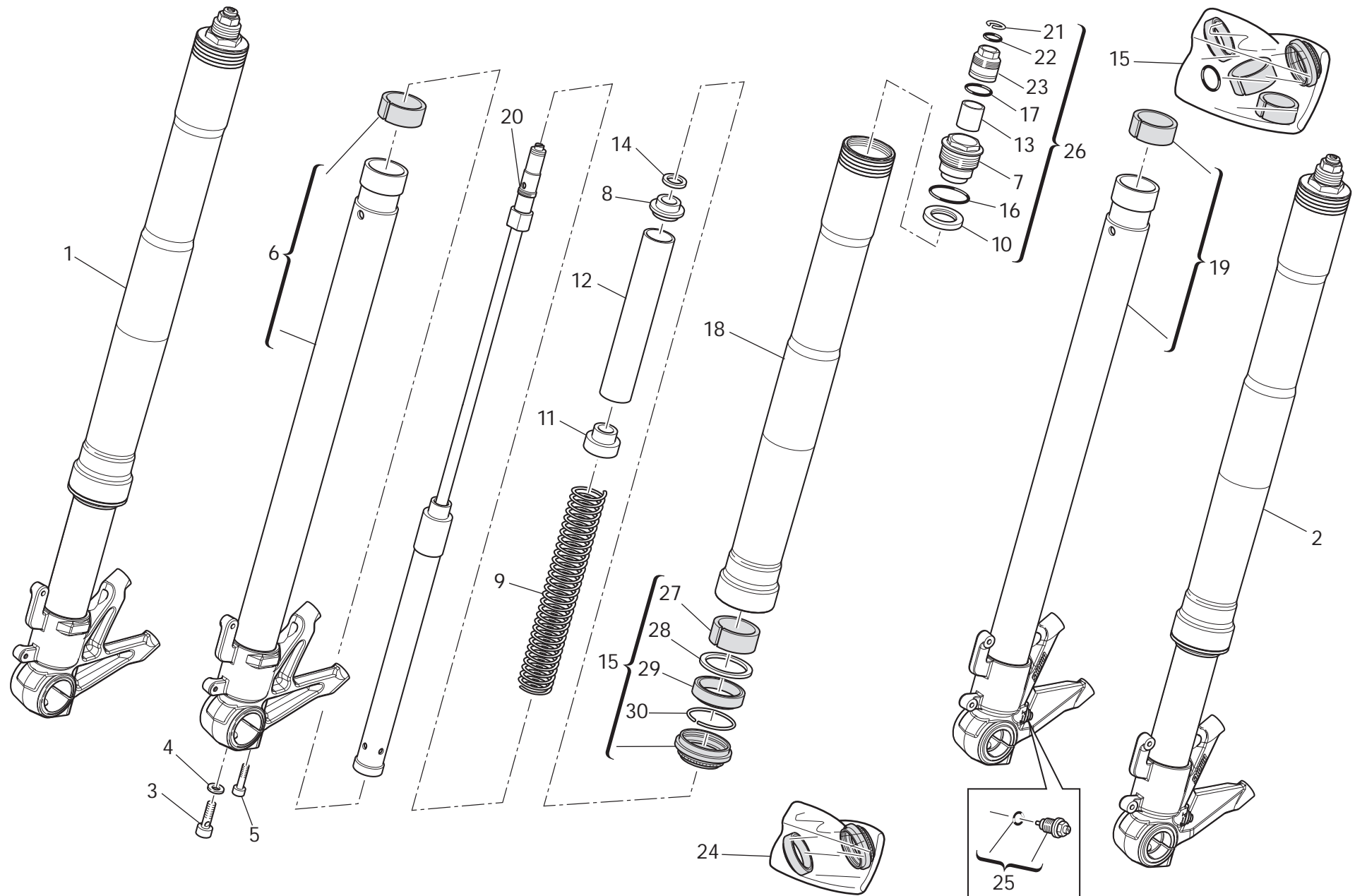
CATALOGUE No: 915.1.280.1G
ISSUED: 06 - 10

NOTES NO.	CODE NO.	DESCRIPTION	VALIDITY	Q.TY 
28	872.1.059.1A	Cap		2
29	829.2.079.1A	Holder		1
30	716.1.412.1A	Spacer		1
31	771.1.039.1A	Screw		1
32	771.1.019.1A	Screw		2
33	364.2.007.1B	Steering damper		1
34	886.5.014.1A	O-ring		1
35	713.1.210.1A	Spacer		1

CATALOGUE No: 915.1.280.1G
ISSUED: 06 - 10

848 EVO


DRAWING 021a Front forks



848 EVO

DRAWING **021a** Front forks

NOTES NO.	CODE NO.	DESCRIPTION	VALIDITY	Q.TY 
1	345.2.037.1B	R.H. fork leg assembly		1
2	344.2.037.1B	L.H. fork leg assembly		1
3	349.1.209.1A	Special screw		2
4	349.1.060.1B	Special washer		2
5	771.5.727.8B	Screw		4
6	349.1.312.1A	Slider (R.H.)		1
7	349.1.228.1A	Cap		2
8	349.1.064.1A	Coupling		2
9	349.1.225.1A	Spring		2
10	349.1.170.1A	Dust seal		2
11	349.1.226.1A	Coupling		2
12	349.1.227.1A	Spring coupling		2
13	349.1.185.1A	Coupling		2
14	349.1.065.1A	Rubber cush drive hub		2
15	349.1.229.1A	Overhaul kit		2
16	349.1.186.1A	O-Ring		2
17	349.1.288.1A	O-Ring		2
18	34913.0701A	Stanchion tube		2
19	349.1.313.1A	Slider (L.H.)		1
20	349.1.308.1A	Damper tube		2
21	349.1.098.1A	Snap ring		2
22	349.1.189.1A	O-Ring		2
23	349.1.188.1A	Preload adjuster		2
24	349.1.263.1A	Seat kit		2
25	349.2.065.1A	Adjusting screw		2
26	349.2.056.1A	Complete cap		2
27	349.1.309.1A	Bush		2

NOTES NO.	CODE NO.	DESCRIPTION	VALIDITY	Q.TY 
28	349.1.102.1A	Check ring		2
29	930.1.007.1A	Seal ring		2
30	884.1.005.1A	Ring		2

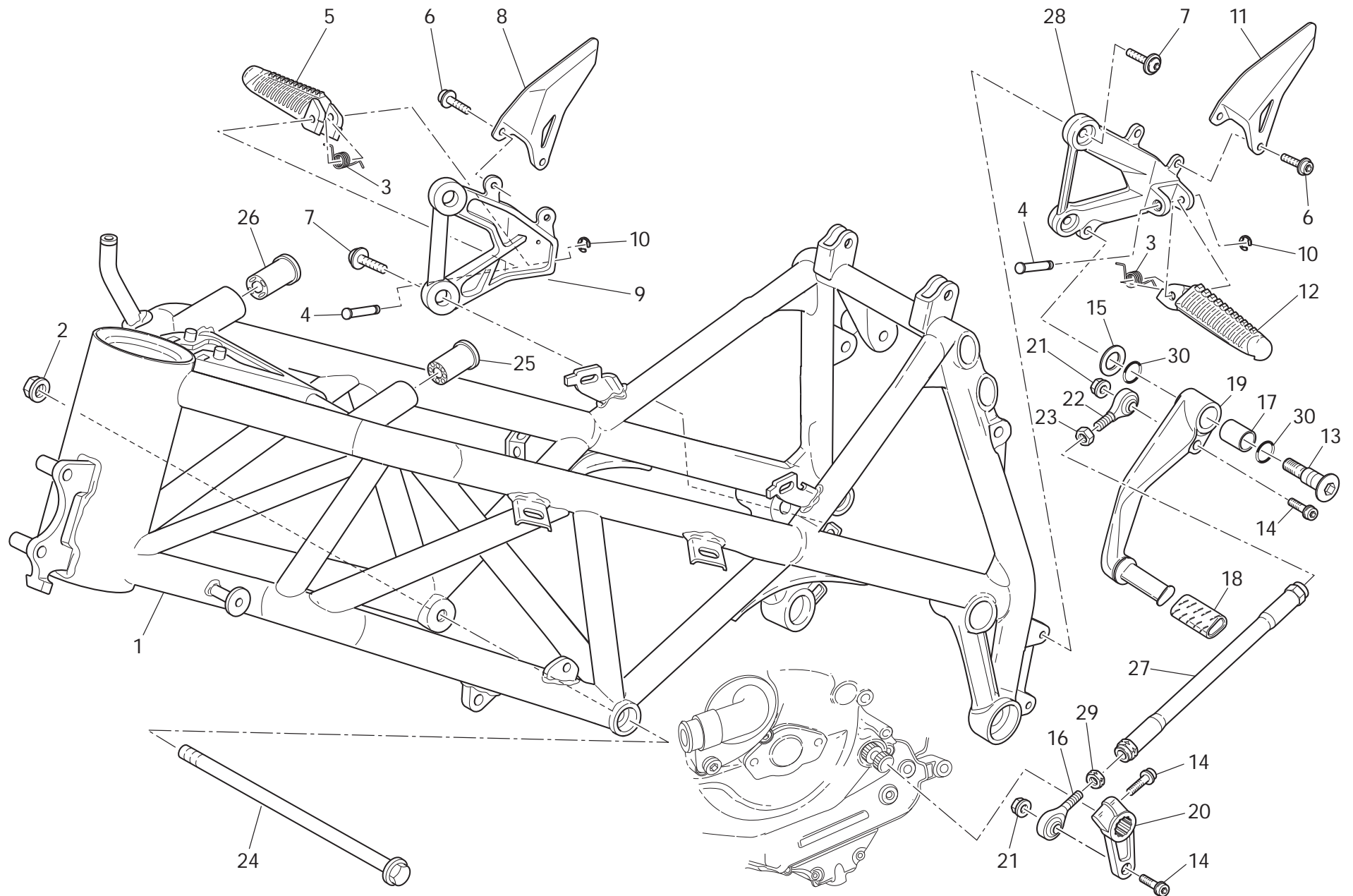
CATALOGUE No: 915.1.280.1G
ISSUED: 06 - 10

CATALOGUE No: 915.1.280.1G
ISSUED: 06 - 10

848 EVO

DRAWING 022


Frame



848^{EVO}

DRAWING **022** Frame

NOTES NO.	CODE NO.	DESCRIPTION	VALIDITY	Q.TY 
1	470.1.189.2BA	Frame (RED) (for RED, WHITE)		1
1	470.1.189.2BK	Frame (RACINGBLACK) (for BLACK)		1
2	748.4.002.1A	Nut		2
3	799.1.166.1B	Spring		2
4	821.1.051.1AB	Pin		2
5	464.1.056.1A	Foot peg (front) (R.H.)		1
6	772.1.046.1B	Screw		4
7	772.1.077.2A	Screw		4
8	247.1.300.1BB	Heel guard (front) (BLACK) (R.H.)		1
9	824.1.147.1AB	Foot peg holder plate (front) (BLACK) (R.H.)		1
10	884.5.003.1A	Circlip		2
11	247.1.299.1BB	Heel guard (front) (BLACK) (L.H.)		1
12	464.1.055.1A	Foot peg (front) (L.H.)		1
13	821.1.170.1B	Pin		1
14	771.5.667.8B	Screw		3
15	852.1.053.2A	Washer		1
16	848.5.001.1A	Ball joint		1
17	712.1.034.1A	Bush		1
18	764.1.011.2A	Rubber pad		1
19	456.1.054.1AB	Gearchange lever (BLACK)		1
20	456.1.046.1B	Gearchange control lever		1
21	749.4.004.1A	Nut		2
22	848.5.002.1A	Ball joint		1
23	747.5.010.1A	Nut		1
24	779.1.484.2B	Special screw		2
25	764.1.051.1A	Rubber pad		1

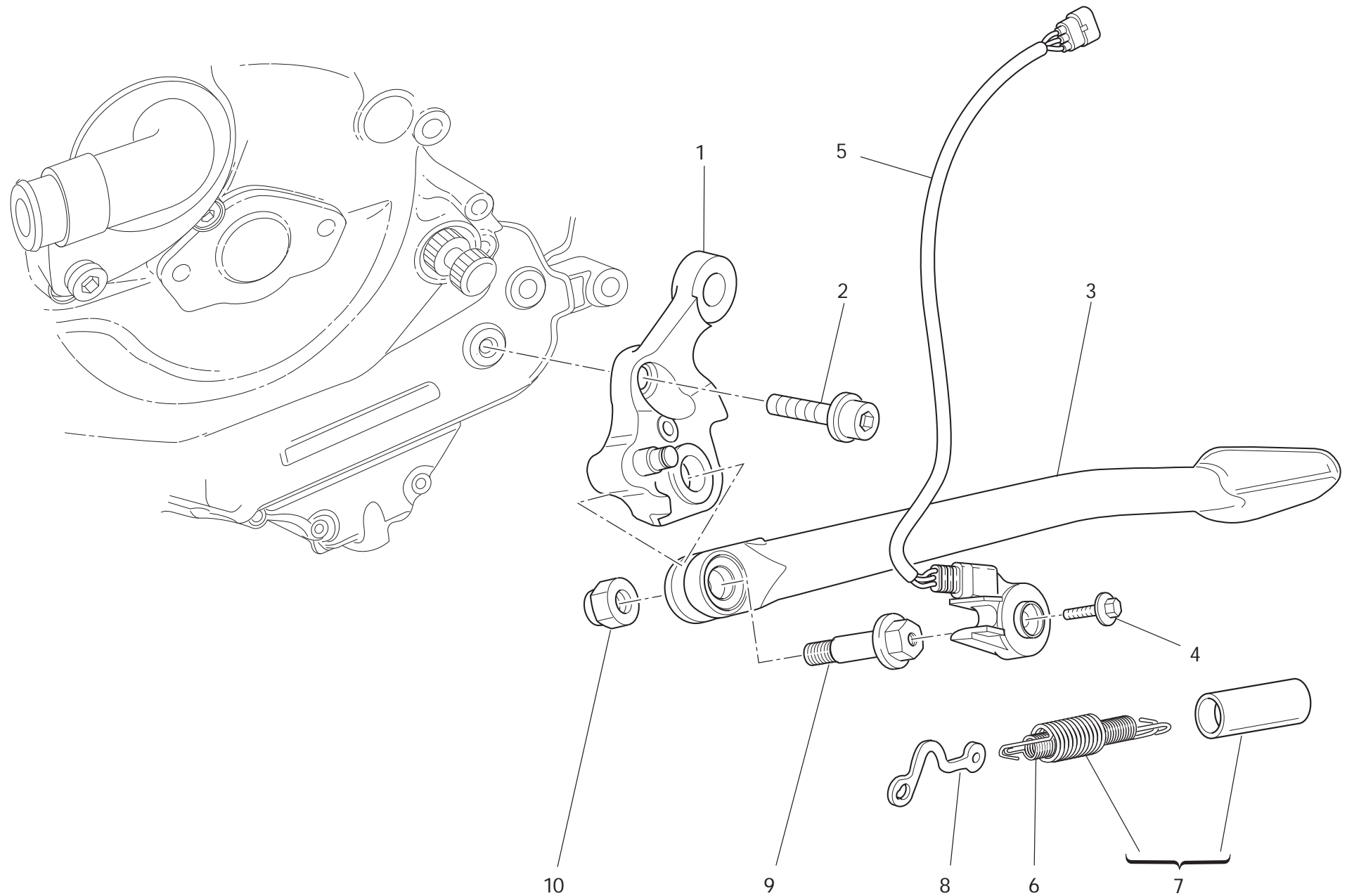
NOTES NO.	CODE NO.	DESCRIPTION	VALIDITY	Q.TY 
26	764.1.050.1A	Rubber pad		1
27	117.1.088.2A	Gearbox transmission rod		1
28	824.1.146.1AB	Foot peg holder plate (front) (BLACK) (L.H.)		1
29	747.5.001.1AB	Nut		1
30	886.4.116.1A	O-ring		2

CATALOGUE No: 915.1.280.1G
ISSUED: 06 - 10

CATALOGUE No: 915.1.280.1G
ISSUED: 06 - 10


848EVO

DRAWING 022a Stand



848 EVO

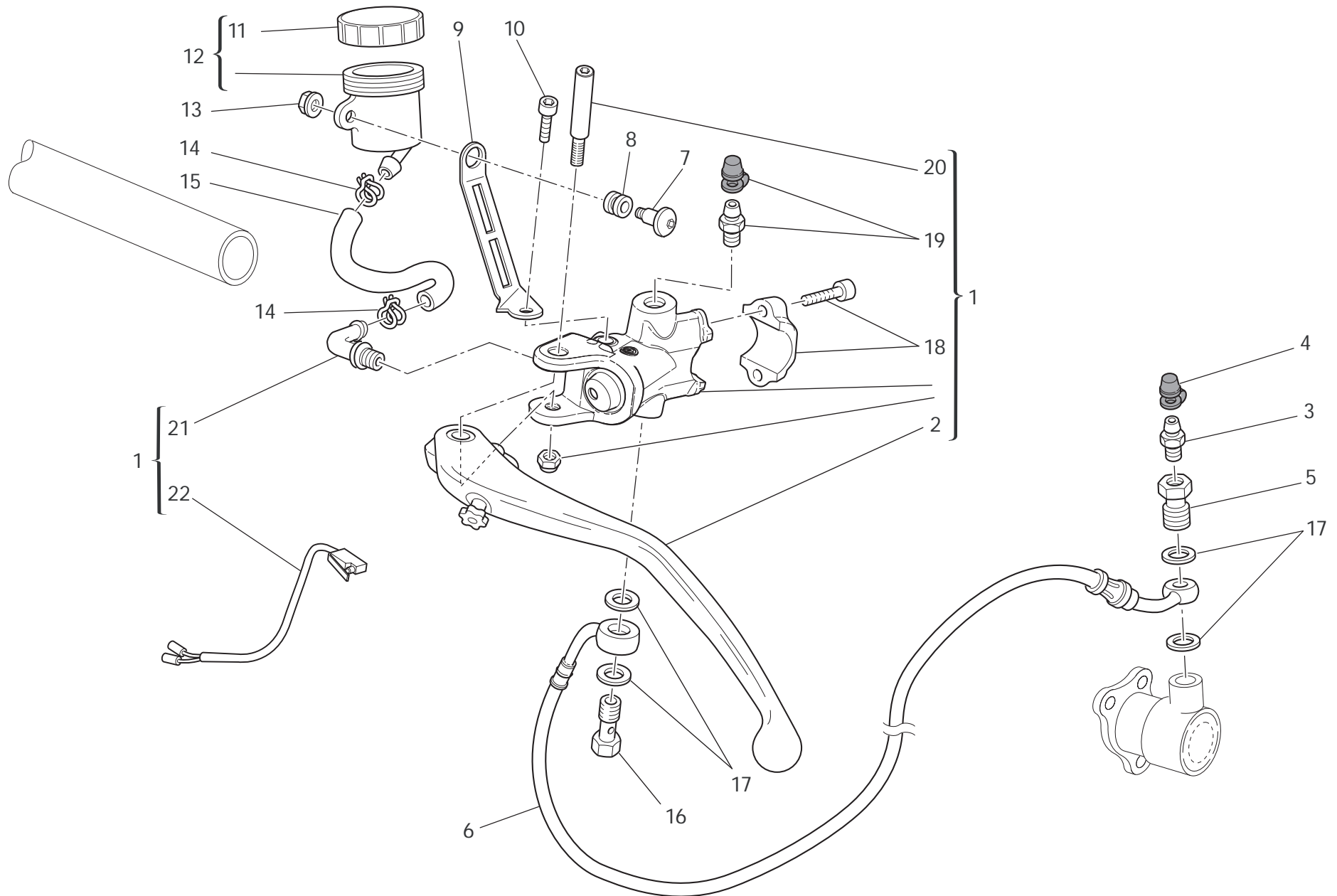
DRAWING **022a** Stand

NOTES NO.	CODE NO.	DESCRIPTION	VALIDITY	Q.TY 
1	556.2.034.1A	Plate		1
2	771.1.043.1A	Screw		2
3	556.1.046.2AB	Side stand		1
4	779.4.005.3A	Screw		1
5	539.1.022.3A	Stand switch		1
6	799.1.158.1A	Inner spring		1
7	799.2.159.1A	Complete spring		1
8	829.1.260.2A	Plate		1
9	821.1.103.2A	Pivot		1
10	750.1.048.1A	Nut		1

NOTES NO.	CODE NO.	DESCRIPTION	VALIDITY	Q.TY 
-----------	----------	-------------	----------	--


CATALOGUE No: 915.1.280.1G
ISSUED: 06 - 10

CATALOGUE No: 915.1.280.1G
ISSUED: 06 - 10



848 EVO

DRAWING **023** Clutch control

NOTES NO.	CODE NO.	DESCRIPTION	VALIDITY	Q.TY 
1	630.4.043.1A	Clutch drive pump		1
2	631.4.017.1A	Clutch control lever		1
3	187.1.002.1A	Bleed		1
4	612.4.005.1A	Dust seal		1
5	779.1.082.1AB	Special screw		1
6	632.1.042.1A	Clutch control pipe (METAL PLAITED)		1
7	779.1.092.1A	Screw		1
8	0370.72.020	Vibration damper pad		1
9	829.1.945.1A	Bracket		1
10	779.5.059.1A	Screw		1
11	893.4.005.1A	Cap		1
12	585.4.008.1A	Complete oil tank		1
13	8000.56443	Nut		1
14	741.4.043.1A	Hose guide		2
15	877.1.113.1A	Tube		1
16	779.1.366.1AB	Special screw		1
17	852.5.024.1A	Gasket th.1		4
18	626.4.031.1A	Bracket		1
19	631.4.028.1A	Spare bleed union		1
20	626.4.056.1A	Pin		1
21	631.4.008.1A	Spare union		1
22	539.4.036.1A	Microswitch		1

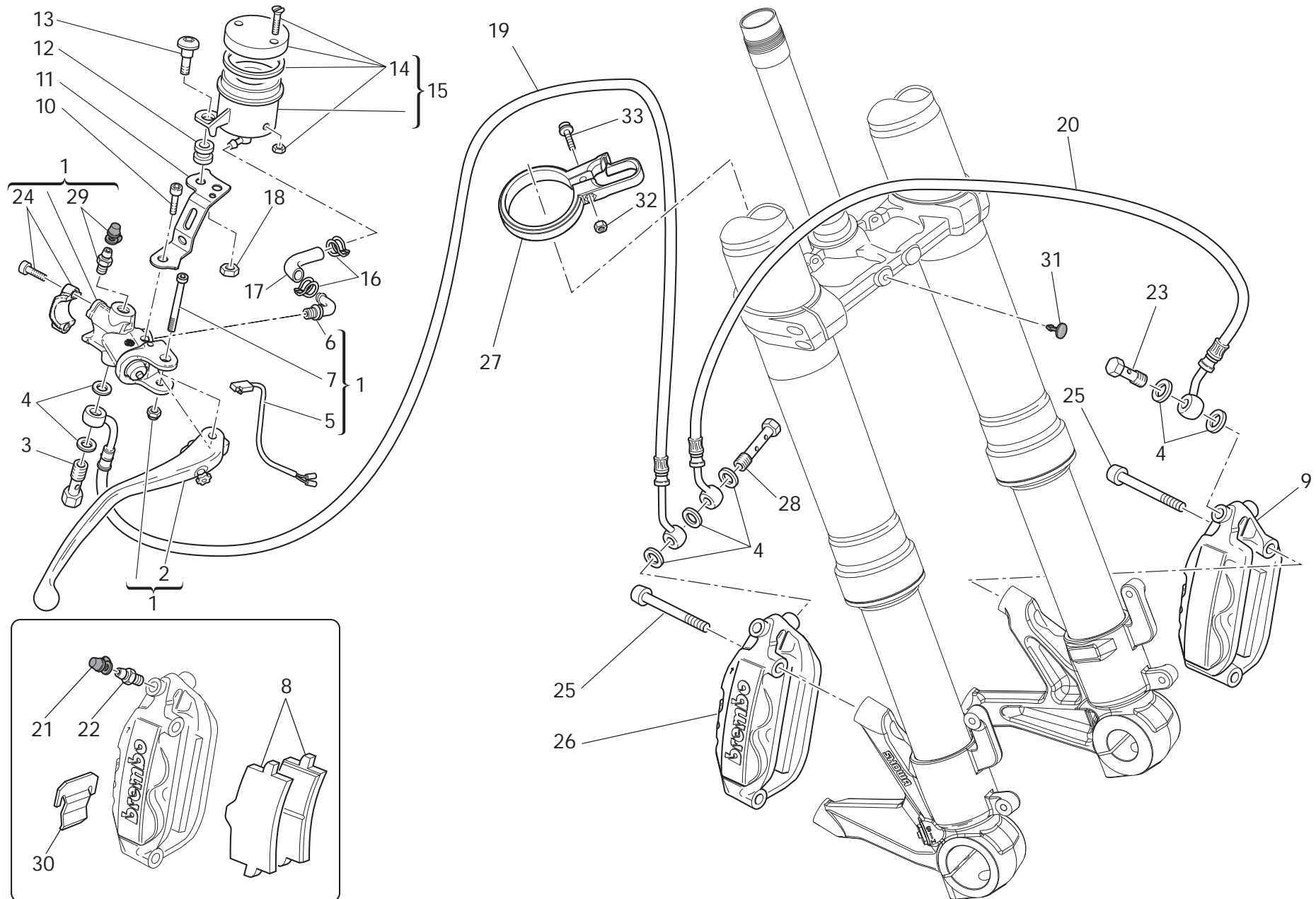
NOTES NO.	CODE NO.	DESCRIPTION	VALIDITY	Q.TY 
-----------	----------	-------------	----------	--

CATALOGUE No: 915.1.280.1G
ISSUED: 06 - 10

CATALOGUE No: 915.1.280.1G
ISSUED: 06 - 10

848 EVO

DRAWING 024 Front brake




848 EVO

DRAWING **024** Front brake

NOTES NO.	CODE NO.	DESCRIPTION	VALIDITY	Q.TY 
1	624.4.052.1A	Front brake pump		1
2	631.4.019.1A	Brake control lever		1
3	779.1.415.1A	Special screw		1
4	852.5.024.1A	Gasket th.1		7
5	539.4.035.1A	Microswitch		1
6	631.4.008.1A	Spare union		1
7	626.4.056.1A	Pin		1
8	613.4.079.1A	Pads pair		2
9	610.4.090.1A	L.H. brake caliper		1
10	779.5.059.1A	Screw		1
11	829.1.946.1A	Bracket		1
12	0370.72.020	Vibration damper pad		1
13	779.1.092.1A	Screw		1
14	0000.68490	Spare cap		1
15	585.4.009.1A	Complete oil tank		1
16	741.4.043.1A	Hose guide		2
17	877.1.114.1A	Tube		1
18	8000.56443	Nut		1
19	618.4.074.1A	Caliper pump pipe (METAL PLAITED)		1
20	618.4.075.1A	Front brake line		1
21	612.4.005.1A	Dust seal		2
22	187.1.002.1A	Bleed		2
23	779.1.366.1AB	Special screw		1
24	626.4.031.1A	Bracket		1
25	779.1.331.1D	Screw		4
26	610.4.091.1A	R.H. brake caliper		1
27	741.1.052.1AB	Clamp		1

CATALOGUE No: 915.1.280.1G
ISSUED: 06 - 10

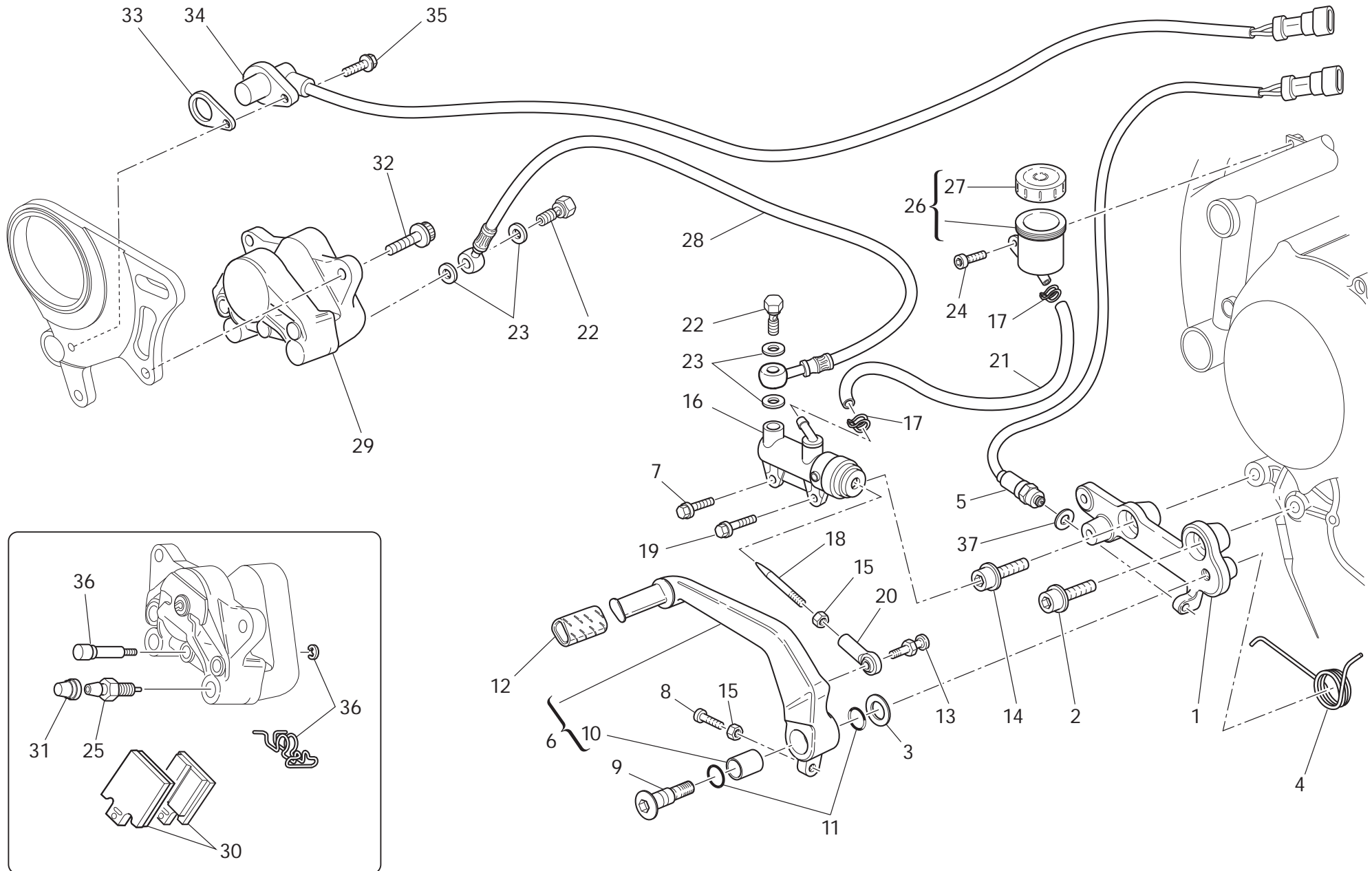
NOTES NO.	CODE NO.	DESCRIPTION	VALIDITY	Q.TY 
28	779.1.309.1AB	Special screw		1
29	631.4.028.1A	Spare bleed union		1
30	612.4.037.1A	Spring		2
31	872.4.056.1A	Cap		1
32	7475.011.1A	Nut		1
33	771.5.645.8B	Screw		1

CATALOGUE No: 915.1.280.1G
ISSUED: 06 - 10

848 EVO

DRAWING 025

Rear brake




848EVO

DRAWING **025**

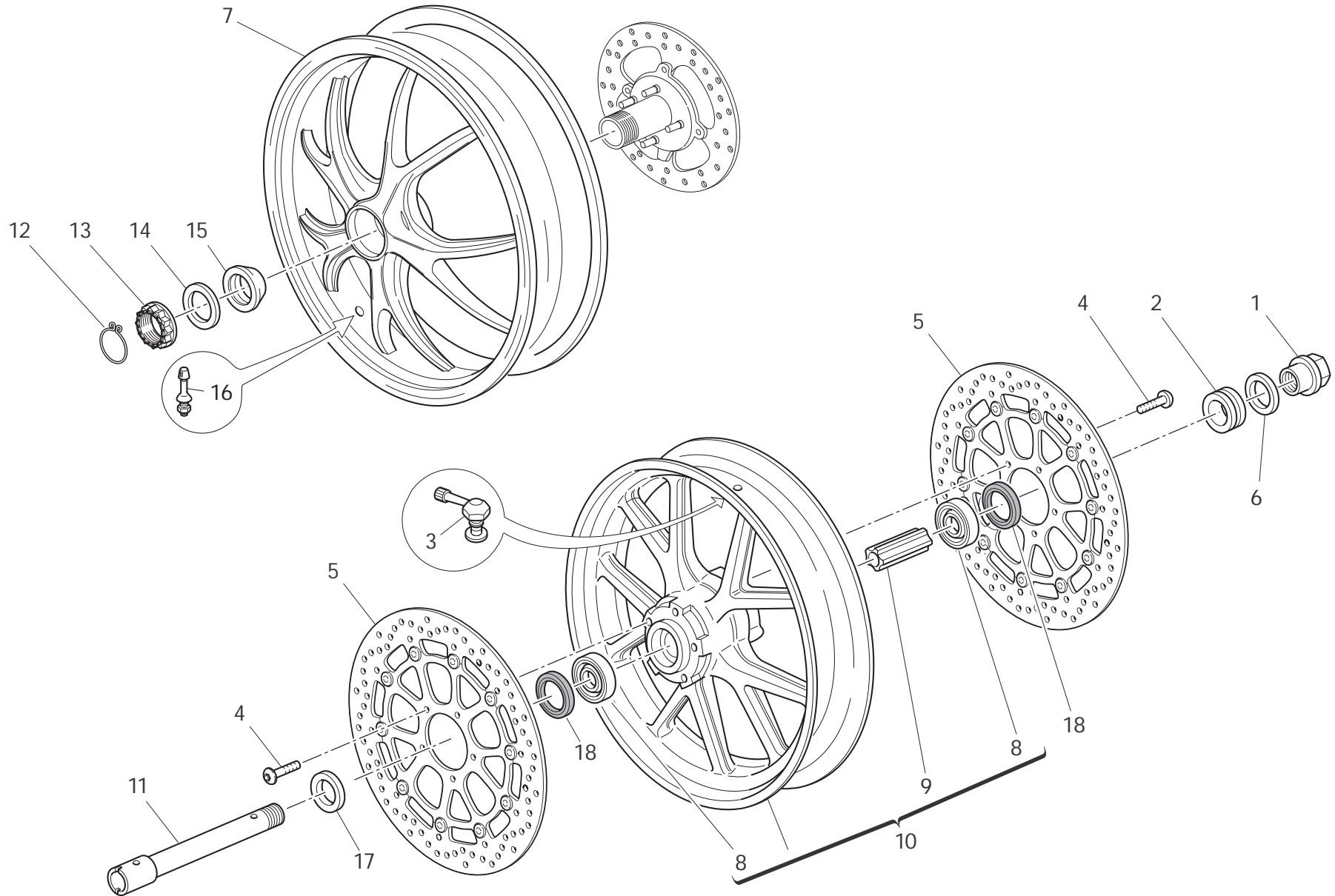
Rear brake

NOTES NO.	CODE NO.	DESCRIPTION	VALIDITY	Q.TY 
1	829.1.942.1A	Plate		1
2	771.5.756.8B	Screw		1
3	852.1.053.2A	Washer		1
4	799.1.256.1A	Spring		1
5	539.4.003.1B	Switch		1
6	457.2.042.1AB	Brake control lever (BLACK)		1
7	772.1.060.1A	Screw		1
8	779.1.237.1B	Adjusting screw		1
9	821.1.170.1B	Pin		1
10	712.1.034.1A	Bush		1
11	886.4.116.1A	O-ring		2
12	764.1.011.2A	Rubber pad		1
13	821.1.273.1A	Pin		1
14	779.1.493.2A	Special screw		1
15	747.5.003.1A	Nut		2
16	625.4.021.1A	Rear brake pump		1
17	741.4.043.1A	Hose guide		2
18	117.1.044.1A	Adjuster rod		1
19	772.1.063.1A	Screw		1
20	184.1.010.2A	Ball joint		1
21	877.1.091.1A	Tube		1
22	779.1.366.1AB	Special screw		2
23	852.5.024.1A	Gasket th.1		4
24	773.5.062.8B	Screw		1
25	631.4.016.1A	Bleed		1
26	585.4.001.1A	Complete oil tank		1
27	893.4.005.1A	Cap		1

CATALOGUE No: 915.1.280.1G
ISSUED: 06 - 10


NOTES NO.	CODE NO.	DESCRIPTION	VALIDITY	Q.TY 
28	619.4.034.1A	Rear brake line (METAL PLAITED)		1
29	611.4.020.1A	Rear brake caliper		1
30	613.4.038.1A	Pads pair		1
31	612.4.008.1A	Dust seal		1
32	771.5.723.8B	Screw		2
33	713.1.192.1A	Spacer		1
34	552.4.037.2E	Speed sensor		1
35	772.5.099.8B	Screw		1
36	612.4.016.1A	Spare pins and spring		1
37	420.2.000.8A	Copper gasket sp. 1		1

CATALOGUE No: 915.1.280.1G
ISSUED: 06 - 10



848^{EVO}

DRAWING **026** Front and rear wheels

NOTES NO.	CODE NO.	DESCRIPTION	VALIDITY	Q.TY 
1	748.1.065.1A	Nut		1
2	713.1.197.3A	Spacer (L.H.)		1
3	497.2.001.2A	Valve		1
4	779.1.399.1A	Screw		10
5	492.4.085.1A	Brake disc		2
6	852.1.222.1A	Washer		1
7	502.1.133.1AA	Wheel rim (rear) (RED) (for WHITE)		1
7	502.1.133.1AB	Wheel rim (rear) (BLACK) (for RED, BLACK)		1
8	702.5.045.1A	Bearing		2
9	714.1.094.1A	Spacer (internal)		1
10	501.2.130.1AA	Wheel rim (front) (RED) (for WHITE)		1
10	501.2.130.1AB	Wheel rim (front) (BLACK) (for RED, BLACK)		1
11	819.1.060.1A	Wheel spindle (front)		1
12	759.1.009.1A	Clip		1
13	750.1.159.1AA	Nut		1
14	852.1.057.1A	Washer		1
15	714.1.027.1A	Special washer		1
16	497.2.003.1A	Valve		1
17	713.1.196.1A	Spacer (R.H.)		1
18	930.4.150.1A	Seal ring		2

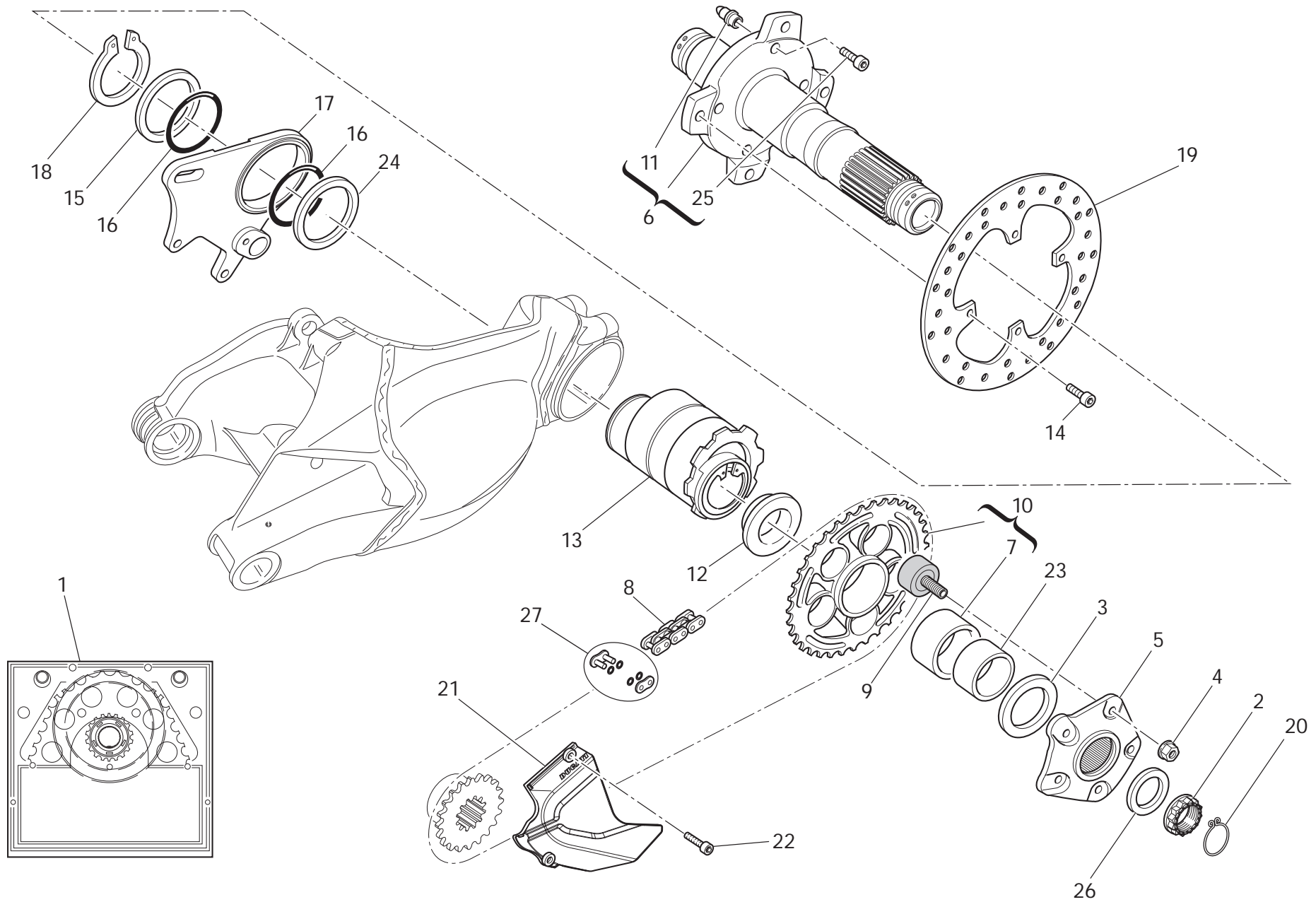
NOTES NO.	CODE NO.	DESCRIPTION	VALIDITY	Q.TY 
-----------	----------	-------------	----------	--

CATALOGUE No: 915.1.280.1G
ISSUED: 06 - 10

CATALOGUE No: 915.1.280.1G
ISSUED: 06 - 10

848 EVO

DRAWING 026a Rear wheel axle



848 EVO

DRAWING **026a** Rear wheel axle

NOTES NO.	CODE NO.	DESCRIPTION	VALIDITY	Q.TY 
1	676.2.069.1A	Final drive kit		1
2	750.1.158.1AA	Nut		1
3	852.1.058.2A	Washer		1
4	748.4.024.1AB	Nut		5
5	160.1.377.1A	Rear sprocket flange		1
6	819.Z.001.1B	Wheel spindle (rear)		1
7	712.1.018.1A	Bush		1
8	676.4.069.1A	Chain		1
9	700.9.055.1A	Rubber cush drive hub		5
10	494.2.138.1A	Ring gear		1
11	863.1.001.1D	Pin		4
12	714.1.083.1A	Spacer		1
13	756.2.008.1A	Hub		1
14	771.1.231.1A	Screw		4
15	852.1.159.1A	Washer		1
16	886.5.003.1A	O-Ring		2
17	825.1.038.1A	Caliper holder plate		1
18	884.5.004.1A	Circlip		1
19	492.4.076.1A	Rear brake disc		1
20	759.1.008.1A	Clip		1
21	460.1.255.1A	Chain cover		1
22	771.1.039.1B	Screw		2
23	711.1.067.1A	Bush		1
24	852.1.233.1A	Washer		1
25	772.1.005.1B	Screw		4
26	852.1.055.1A	Washer		1
27	677.4.013.1A	Drive chain joint		1

NOTES NO.	CODE NO.	DESCRIPTION	VALIDITY	Q.TY 
-----------	----------	-------------	----------	--

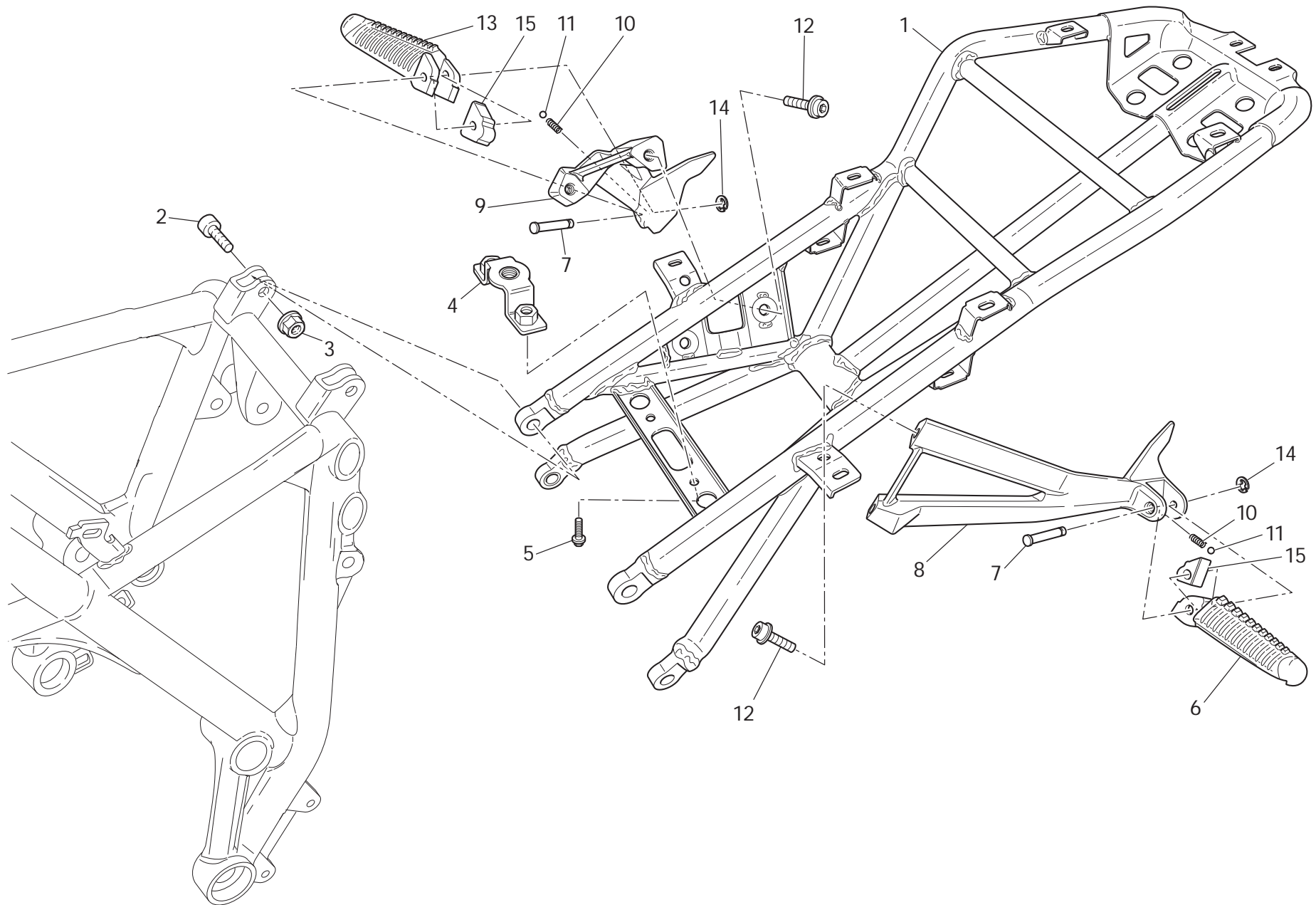
CATALOGUE No: 915.1.280.1G
ISSUED: 06 - 10

CATALOGUE No: 915.1.280.1G
ISSUED: 06 - 10

848 EVO


DRAWING 027

Rear subframe



848^{EVO}

DRAWING **027** Rear subframe

NOTES NO.	CODE NO.	DESCRIPTION	VALIDITY	Q.TY 
1	470.1702.1AG	Rear frame		1
2	772.1.087.3A	Screw		4
3	749.4.112.8B	Nut		4
4	830.1.418.1A	Bracket		1
5	772.1.050.1C	Screw		2
6	464.1.055.1A	Foot peg (rear) (L.H.)		1
7	821.1.051.1AB	Pin		2
8	824.1.149.1AB	Foot peg holder plate (L.H.)		1
9	824.1.148.1AB	Foot peg holder plate (R.H.)		1
10	799.1.024.1A	Spring		2
11	847.4.002.1A	Ball		2
12	771.5.723.8B	Screw		4
13	464.1.056.1A	Foot peg (rear) (R.H.)		1
14	884.5.003.1A	Circlip		2
15	696.1.012.1A	Block		2

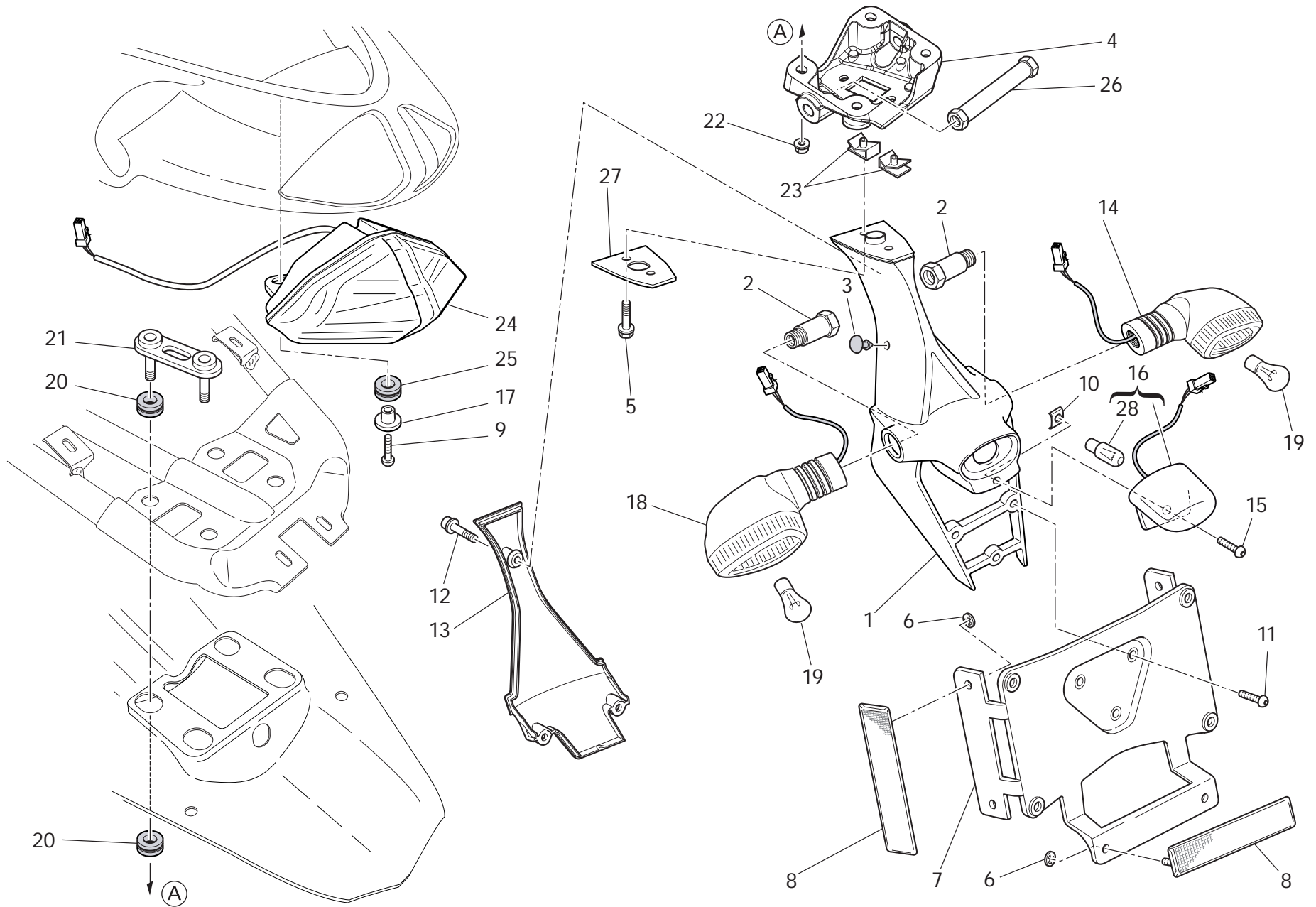
NOTES NO.	CODE NO.	DESCRIPTION	VALIDITY	Q.TY 
-----------	----------	-------------	----------	--

CATALOGUE No: 915.1.280.1G
ISSUED: 06 - 10

CATALOGUE No: 915.1.280.1G
ISSUED: 06 - 10

848 EVO


DRAWING 027a Number plate holder



848 EVO

DRAWING **027a** Number plate holder

NOTES NO.	CODE NO.	DESCRIPTION	VALIDITY	Q.TY 
1	561.1.025.1A	Number plate holder		1
2	750.1.150.1A	Nut		2
3	866.1.075.1A	Pad		2
4	829.1.947.1A	Holder		1
5	771.1.039.1A	Screw		2
6	850.4.052.1A	Quik fastening		6
7	561.1.027.1A	Plate		1
8	529.1.010.1A	Reflector		3
9	771.5.043.8B	Screw		2
10	850.4.102.1A	Nut with clip		1
11	775.5.013.1A	Screw		3
12	771.5.639.8B	Screw		3
13	247.1.306.1A	Cover		1
14	530.1.021.1B	Turn indicator (rear) (R.H.)		1
15	775.5.001.3C	Screw		1
16	525.1.031.1A	Number plate light		1
17	716.1.143.1A	Spacer		2
18	530.1.020.1B	Turn indicator (rear) (L.H.)		1
19	390.4.021.1A	Bulb 12V-10W RY10W		2
20	764.1.098.1A	Vibration damper pad		8
21	827.1.431.1A	Flange		2
22	749.4.111.8B	Nut		4
23	850.4.038.1A	Nut with clip		2
24	525.1.032.3A	Tail light		1
25	764.1.090.1A	Rubber pad		2
26	713.1.373.1A	Spacer		1
27	827.1.442.1A	Plate		1

NOTES NO.	CODE NO.	DESCRIPTION	VALIDITY	Q.TY 
28	0000.36230	Bulb		1

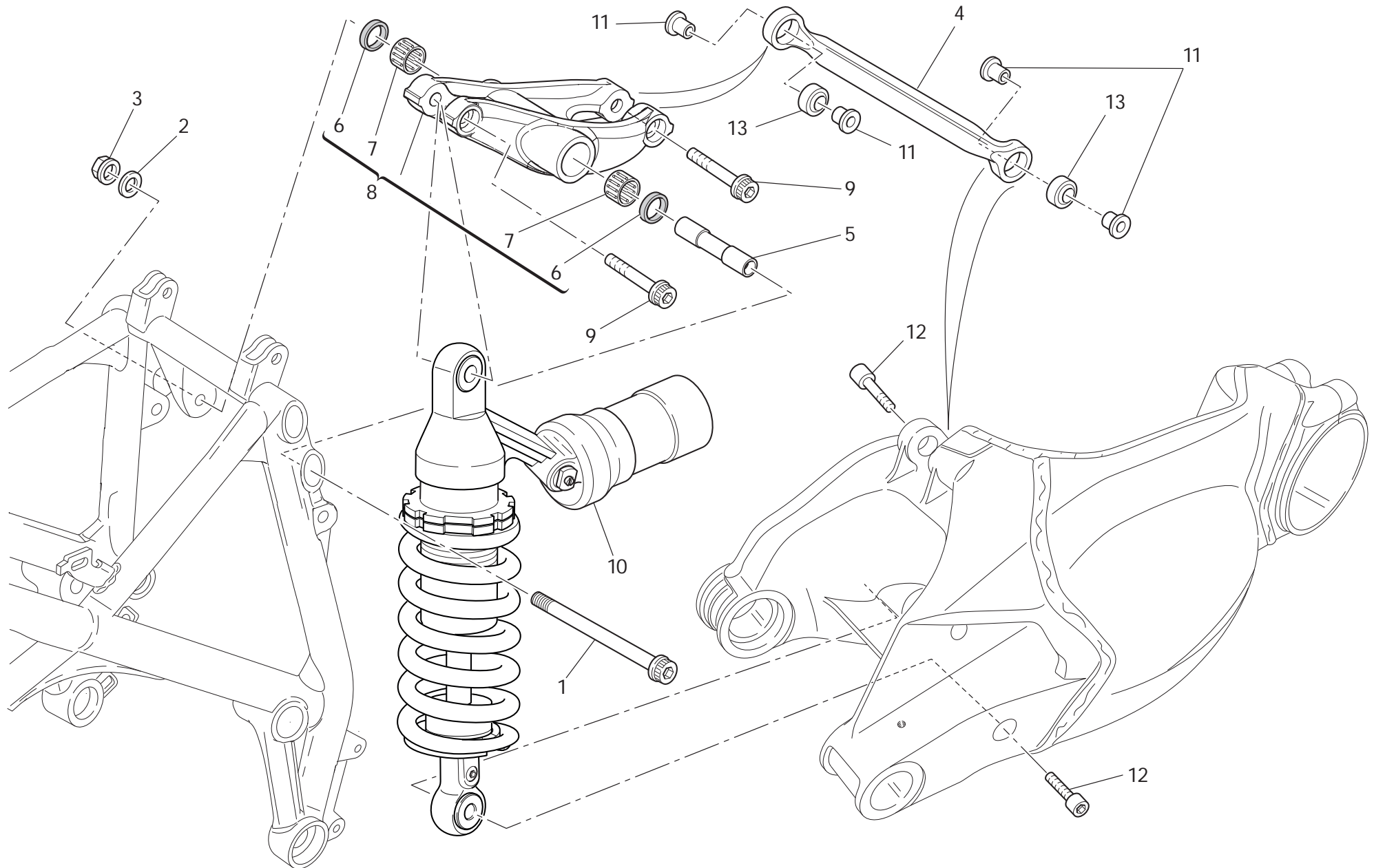
CATALOGUE No: 915.1.280.1G
ISSUED: 06 - 10

CATALOGUE No: 915.1.280.1G
ISSUED: 06 - 10

848 EVO


DRAWING 028

Rear suspension



848^{EVO}

DRAWING **028** Rear suspension

NOTES NO.	CODE NO.	DESCRIPTION	VALIDITY	Q.TY 
1	771.1.031.1A	Screw		1
2	713.1.239.1A	Washer		1
3	748.4.037.1AB	Nut		1
4	372.2.068.1A	Reaction rod		1
5	715.1.003.1A	Spacer		1
6	930.4.011.1A	Seal ring		2
7	701.4.004.1A	Needle bearing		2
8	372.2.062.2A	Rocker assembly		1
9	771.5.938.8B	Screw		2
10	365.2.074.2A	Shock absorber		1
11	710.1.132.1A	Bush		4
12	779.1.504.1A	Screw		2
13	848.4.011.1A	Ball joint		2

NOTES NO.	CODE NO.	DESCRIPTION	VALIDITY	Q.TY 
-----------	----------	-------------	----------	--

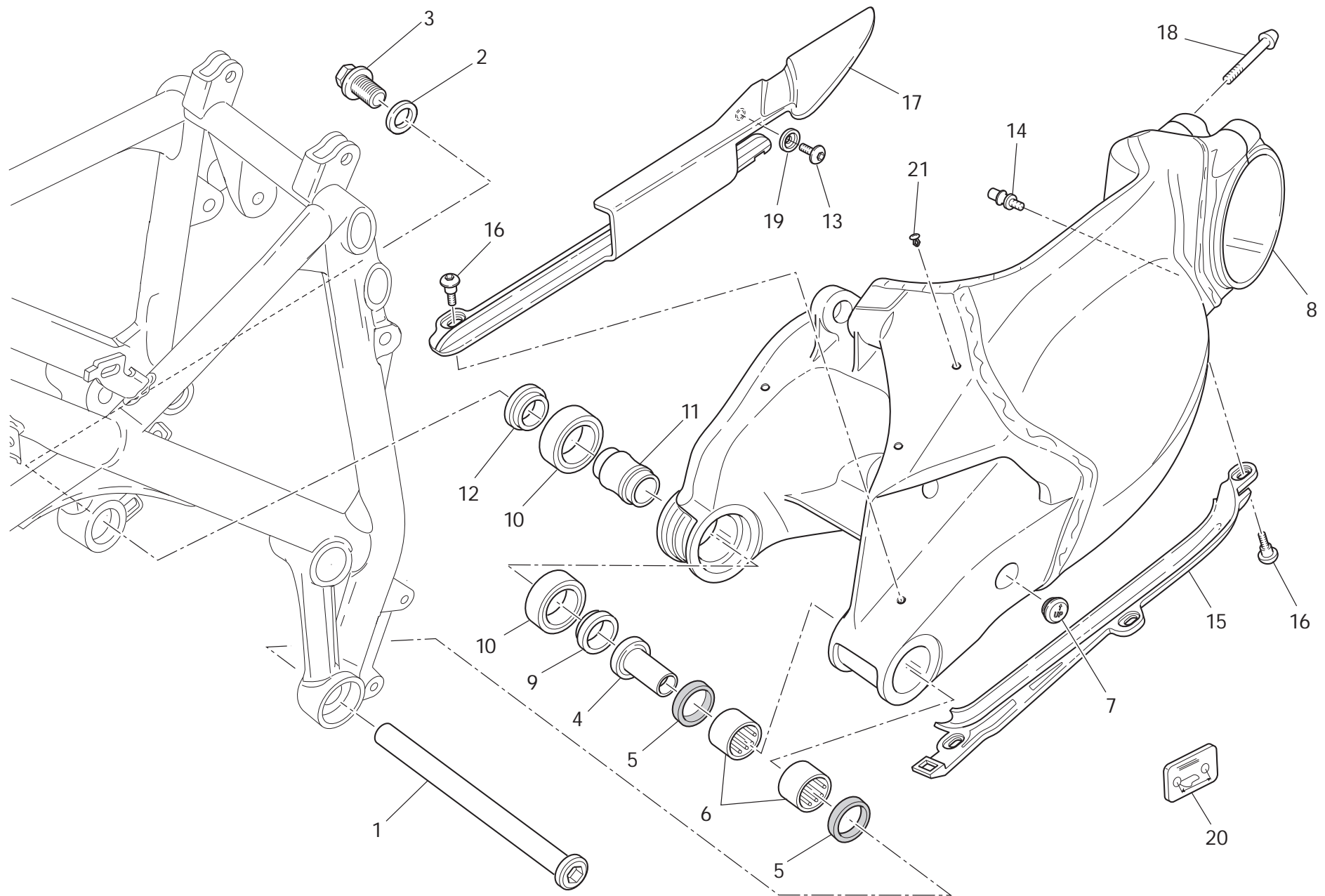
CATALOGUE No: 915.1.280.1G
ISSUED: 06 - 10

CATALOGUE No: 915.1.280.1G
ISSUED: 06 - 10

848 EVO


DRAWING 028a

Swingarm



848 EVO

DRAWING **028a** Swingarm

NOTES NO.	CODE NO.	DESCRIPTION	VALIDITY	Q.TY 
1	369.1.120.1A	Swingarm pivot		1
2	852.1.216.1A	Washer		1
3	772.1.078.1A	Nut		1
4	710.1.109.1A	Bush		1
5	930.5.012.1A	Seal ring		2
6	701.4.017.1A	Needle bearing		2
7	872.1.054.2A	Cap		1
8	370.2.076.1DB	Complete swingarm		1
9	712.1.029.1A	Spacer		1
10	702.5.045.1A	Bearing		2
11	713.1.187.1A	Spacer		1
12	712.1.030.1A	Spacer		1
13	775.1.019.1A	Screw		1
14	832.1.047.1A	Pin		1
15	447.1.069.1A	Lower chain sliding shoe		1
16	779.1.440.2A	Special screw		4
17	447.1.070.1A	Upper chain sliding shoer		1
18	779.1.503.1A	Screw		2
19	841.1.050.1A	Retainer		1
20	433.1.342.1A	Chain adjustment sticker		1
21	872.4.044.1A	Cap		3

NOTES NO.	CODE NO.	DESCRIPTION	VALIDITY	Q.TY 
-----------	----------	-------------	----------	--

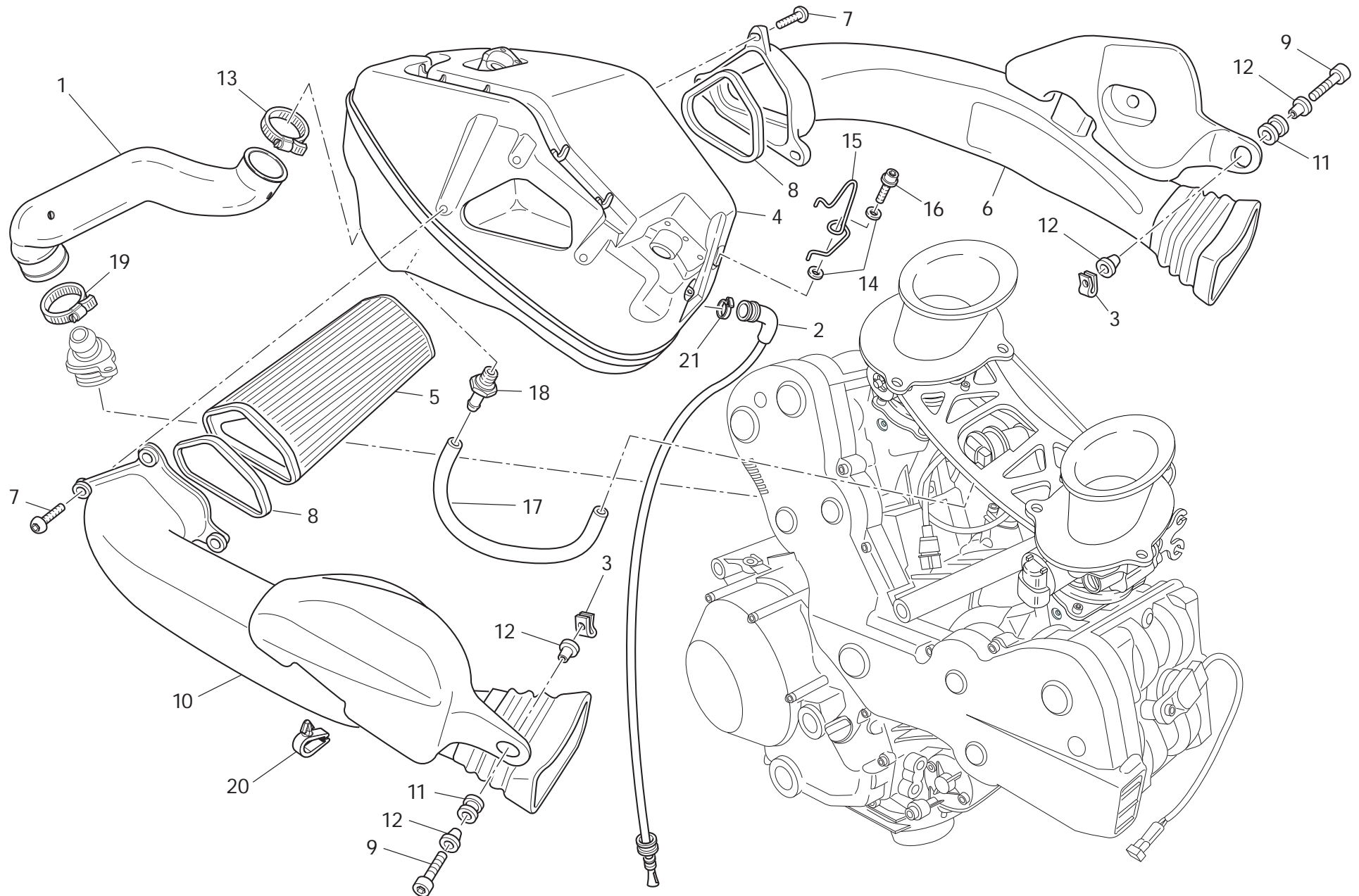
CATALOGUE No: 915.1.280.1G
ISSUED: 06 - 10

CATALOGUE No: 915.1.280.1G
ISSUED: 06 - 10

848 EVO


DRAWING 029

Air intake - oil breather



848EVO

DRAWING **029** Air intake - oil breather

NOTES NO.	CODE NO.	DESCRIPTION	VALIDITY	Q.TY 
1	876.1.102.2B	Breather pipe		1
2	877.2.006.1B	Tube		1
3	850.4.038.1A	Nut with clip		2
4	442.1.139.3B	Air filter box		1
5	426.1.020.1A	Air filter		1
6	442.1.148.2A	Air manifold (L.H.)		1
7	772.1.042.2A	Screw		6
8	788.1.098.1A	Gasket		2
9	772.5.038.1AB	Screw		2
10	442.1.149.2A	Air manifold (R.H.)		1
11	764.1.056.1B	Rubber pad		2
12	716.1.043.1B	Spacer		4
13	741.4.165.1A	Clamp		1
14	852.1.251.1A	Washer		2
15	758.1.036.1A	Fairlead		1
16	773.1.005.1A	Screw		1
17	934.1.010.1A	Tube		1
18	814.1.312.1A	Pressure pick-up point		1
19	741.4.186.1A	Clamp		1
20	758.4.015.1A	Fairlead		1
21	741.4.063.1A	Hose guide		1

NOTES NO.	CODE NO.	DESCRIPTION	VALIDITY	Q.TY 
-----------	----------	-------------	----------	--

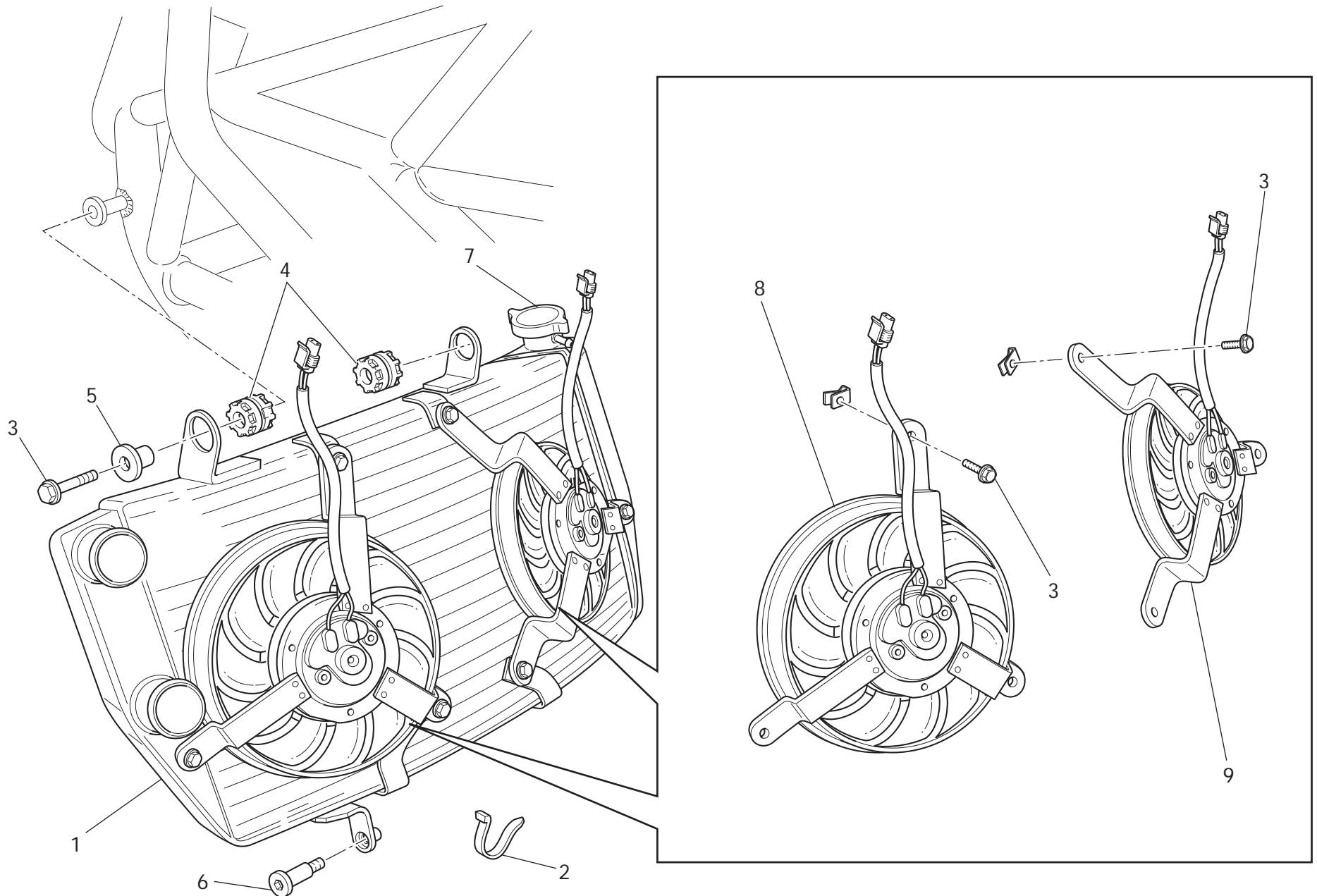
CATALOGUE No: 915.1.280.1G
ISSUED: 06 - 10

CATALOGUE No: 915.1.280.1G
ISSUED: 06 - 10

848EVO


DRAWING 030

Radiator



848^{EVO}

DRAWING **030** Radiator

NOTES NO.	CODE NO.	DESCRIPTION	VALIDITY	Q.TY 
1	548.4.074.2B	Water radiator		1
2	741.4.038.1A	Hose guide		2
3	772.5.103.8B	Screw		7
4	764.1.022.1A	Vibration damper pad		2
5	716.1.419.1A	Spacer		1
6	779.1.202.1B	Special screw		1
7	872.4.060.1A	Cap		1
8	550.4.018.1A	Electric fan (L.H.)		1
9	550.4.017.1A	Electric fan (R.H.)		1

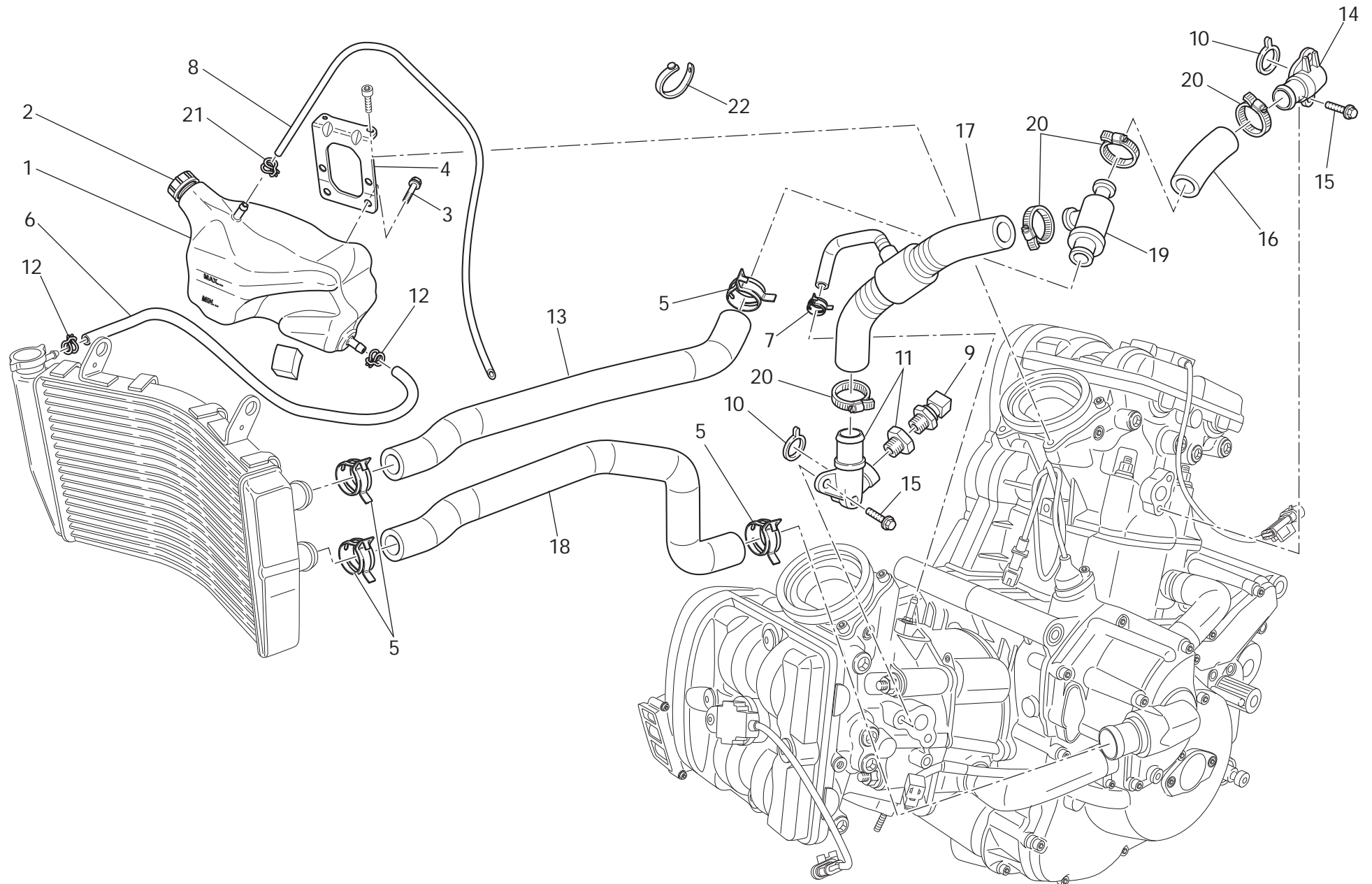
NOTES NO.	CODE NO.	DESCRIPTION	VALIDITY	Q.TY 
-----------	----------	-------------	----------	--

CATALOGUE No: 915.1.280.1G
ISSUED: 06 - 10

CATALOGUE No: 915.1.280.1G
ISSUED: 06 - 10


848 EVO

DRAWING 031 Cooling system



848 EVO

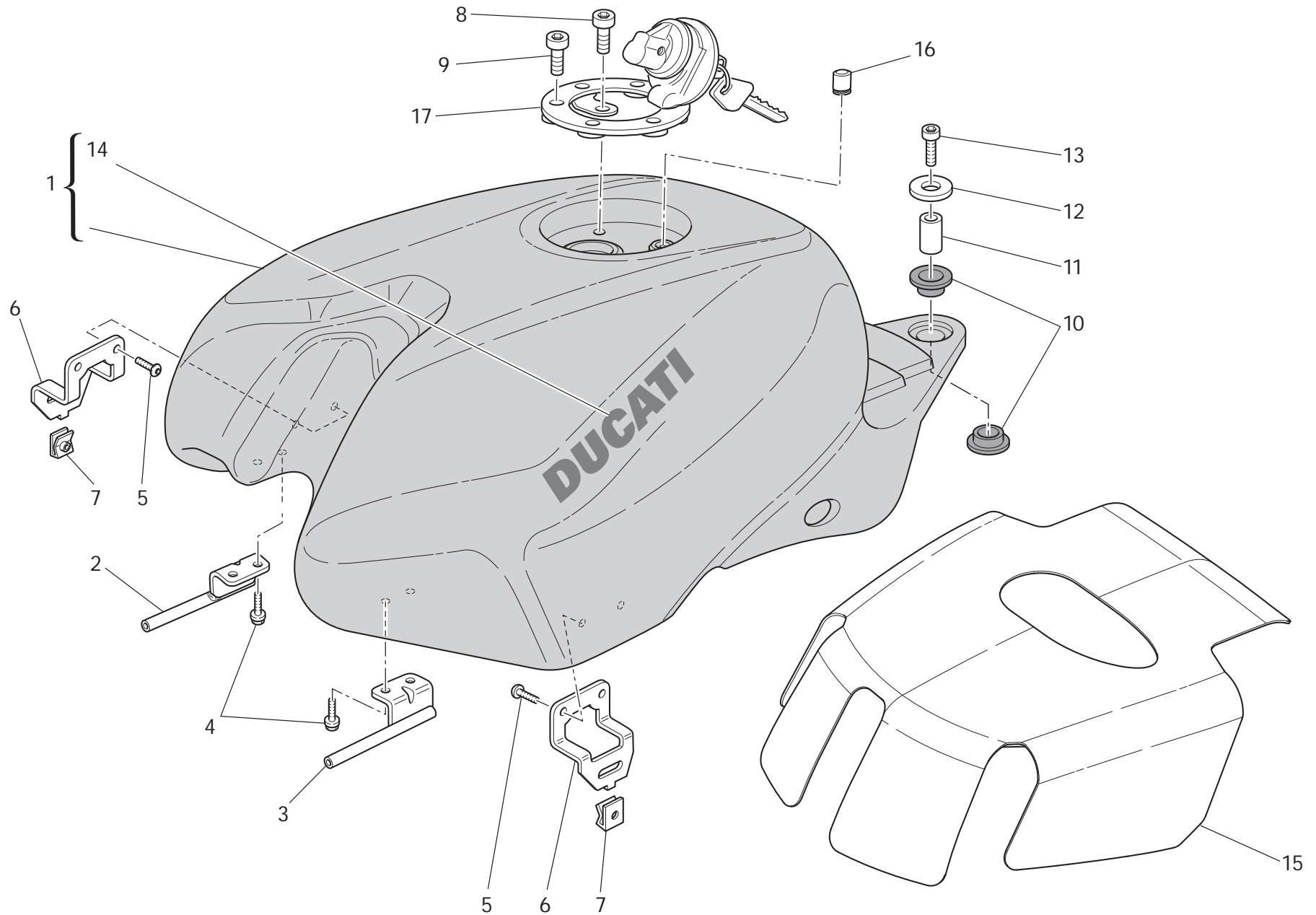
DRAWING **031** Cooling system

NOTES NO.	CODE NO.	DESCRIPTION	VALIDITY	Q.TY 
1	585.1.057.1A	Water tank		1
2	893.1.014.3A	Tank cap		1
3	772.1.059.1A	Screw		2
4	830.1.429.1A	Bracket		1
5	741.4.190.1A	Clamp		4
6	934.1.005.1A	Breather pipe		1
7	741.4.001.1A	Hose guide		1
8	934.1.006.1A	Breather pipe		1
9	552.4.013.1A	Sensor		1
10	886.4.103.1A	O-ring		2
11	814.1.236.1C	Water outlet union (horizontal)		1
12	8A00.67610	Hose guide		2
13	800.1.152.1B	Hose		1
14	814.1.235.1B	Water outlet union (vertical)		1
15	772.1.062.1A	Screw		4
16	800.1.151.1A	Hose		1
17	800.1.150.1A	Hose		1
18	800.1.153.1B	Hose		1
19	553.4.004.1A	Thermostat		1
20	741.4.181.1A	Clamp		4
21	741.4.171.1A	Clamp		1
22	741.1.013.1A	Hose guide		2

NOTES NO.	CODE NO.	DESCRIPTION	VALIDITY	Q.TY 
-----------	----------	-------------	----------	--


CATALOGUE No: 915.1.280.1G
ISSUED: 06 - 10

CATALOGUE No: 915.1.280.1G
ISSUED: 06 - 10



848^{EVO}

DRAWING **032** Fuel tank

NOTES NO.	CODE NO.	DESCRIPTION	VALIDITY	Q.TY 
1	586.1.170.2BA	Tank (RED)		1
1	586.1.160.2BT	Tank (BLACK)		1
1	586.1.170.2BW	Tank (WHITE)		1
2	587.1.051.2A	Tank front connection (R.H.)		1
3	587.1.052.2A	Tank front connection (L.H.)		1
4	772.1.050.1C	Screw		4
5	775.1.051.1A	Screw		4
6	830.1.431.1A	Holder		2
7	850.4.055.1A	Nut with clip		2
8	771.5.040.8B	Screw		1
9	771.5.045.7E	Screw		3
10	764.1.001.1A	Rubber pad		2
11	713.1.330.1A	Spacer		1
12	852.1.099.1A	Washer		1
13	771.5.728.8B	Screw		1
14	438.1.465.1AT	Sticker "DUCATI" (for BLACK)		2
14	438.1.465.1BG	Sticker "DUCATI" (for RED, WHITE)		2
15	486.1.075.2A	Panel		1
16	791.1.039.1A	Gasket		1
17	895.2.007.1A	Tank cap		1

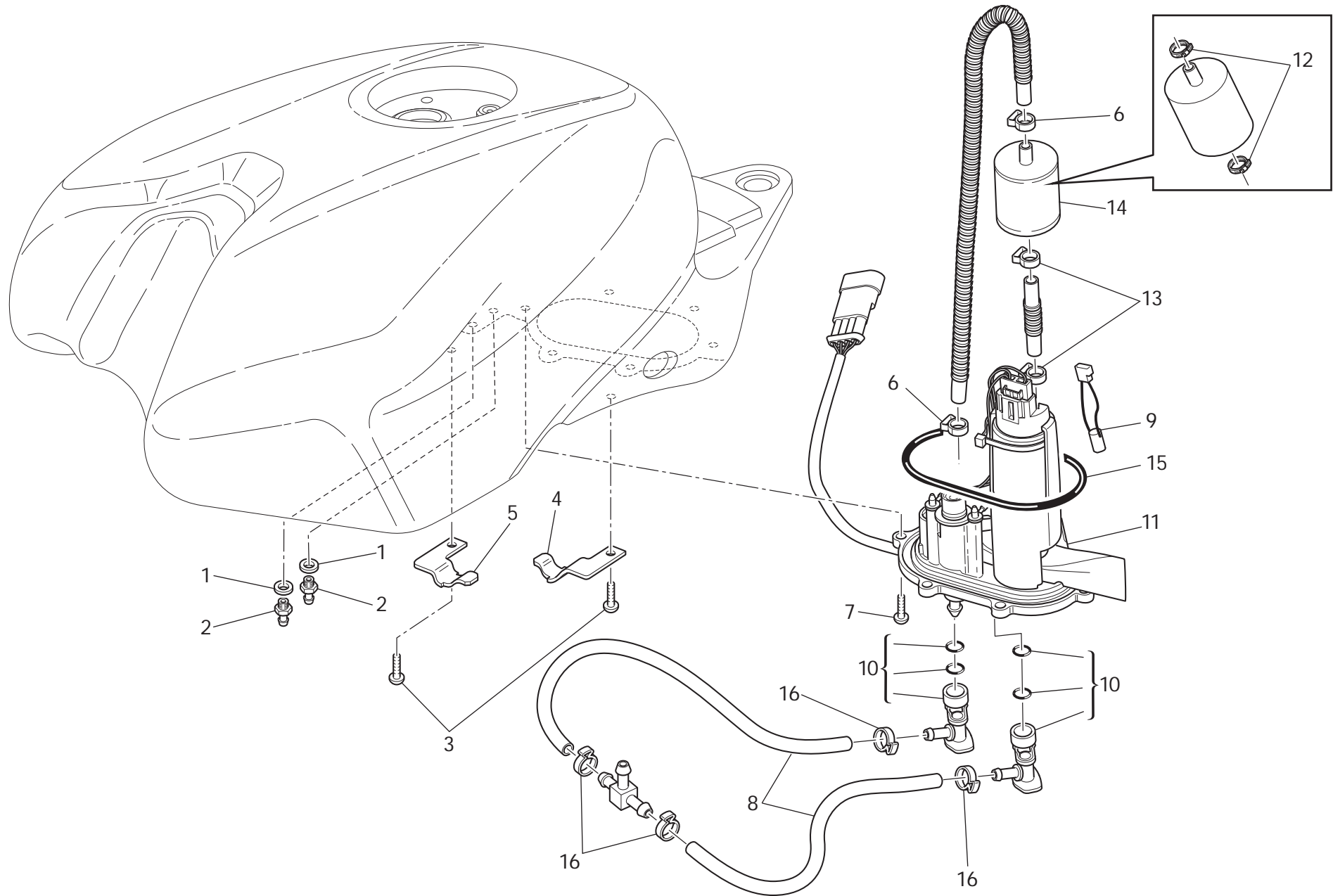
NOTES NO.	CODE NO.	DESCRIPTION	VALIDITY	Q.TY 
-----------	----------	-------------	----------	--

CATALOGUE No: 915.1.280.1G
ISSUED: 06 - 10

CATALOGUE No: 915.1.280.1G
ISSUED: 06 - 10


848 EVO

DRAWING 032a Fuel system



848 EVO

DRAWING **032a** Fuel system

NOTES NO.	CODE NO.	DESCRIPTION	VALIDITY	Q.TY 
1	886.1.013.1A	Gasket		2
2	850.1.006.1A	Union		2
3	775.1.051.1A	Screw		2
4	830.1.433.1A	Plate		1
5	830.1.432.1A	Plate		1
6	741.4.092.1A	collar		2
7	775.1.017.1B	Screw		6
8	590.1.300.1A	Tube		2
9	552.4.048.2A	Thermistor		1
10	814.4.010.1A	Quick-coupling union		2
11	160.2.399.1A	Flange		1
12	699.2.345.1A	Clamps kit		1
13	741.4.158.1A	Clamp		2
14	425.4.015.1A	Fuel filter		1
15	886.5.048.1A	O-Ring		1
16	287.4.024.1B	Clamp		4

NOTES NO.	CODE NO.	DESCRIPTION	VALIDITY	Q.TY 
-----------	----------	-------------	----------	--

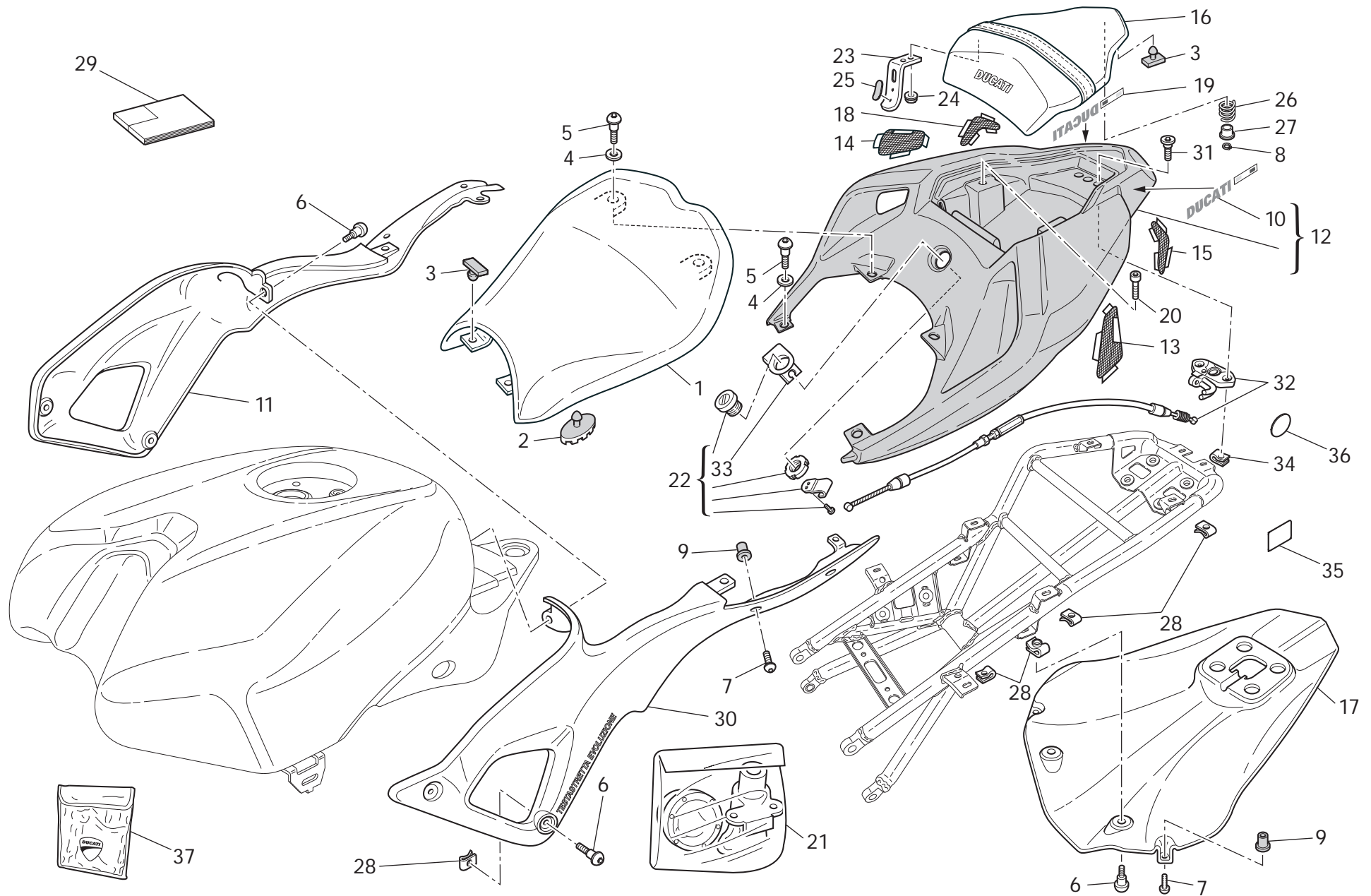
CATALOGUE No: 915.1.280.1G
ISSUED: 06 - 10

CATALOGUE No: 915.1.280.1G
ISSUED: 06 - 10

848 EVO


DRAWING 033

Seat




848 EVO

DRAWING **033** Seat

NOTES NO.	CODE NO.	DESCRIPTION	VALIDITY	Q.TY 
1	595.1.080.1A	Seat		1
2	866.1.019.1A	Rubber pad (big)		4
3	866.1.030.1A	Rubber pad (little)		10
4	852.1.218.1A	Nylon washer		4
5	772.1.084.2A	Special screw		8
6	772.1.085.3B	Special screw		7
7	772.1.086.1B	Special screw		6
8	884.4.025.1A	Circlip		2
9	850.4.082.1A	Insert		6
10	438.1.436.1AG	Sticker "DUCATI" (L.H.) (for RED)		1
10	438.1.436.1BG	Sticker "DUCATI" (L.H.) (for WHITE)		1
10	438.1.436.1BT	Sticker "DUCATI" (L.H.) (for BLACK)		1
11	482.1.140.1A	Body panel (R.H.)		1
12	483.2.160.1AT	Tail guard (BLACK)		1
12	483.2.170.1AA	Tail guard (RED)		1
12	483.2.170.1AW	Tail guard (WHITE)		1
13	460.1.259.1A	Net (front) (L.H.)		1
14	460.1.260.1A	Net (front) (R.H.)		1
15	460.1.261.2A	Net (rear) (L.H.)		1
16	595.1.081.1A	Pillion rider seat		1
17	460.1.246.1A	Tail guard thermal protection		1
18	460.1.262.2A	Net (rear) (R.H.)		1
19	438.1.439.1AG	Sticker "DUCATI" (R.H.) (for RED)		1
19	438.1.439.1BG	Sticker "DUCATI" (R.H.) (for WHITE)		1
19	438.1.439.1BT	Sticker "DUCATI" (R.H.) (for BLACK)		1
20	779.1.499.2A	Special screw		2
21	598.2.054.2A	Locks kit		1

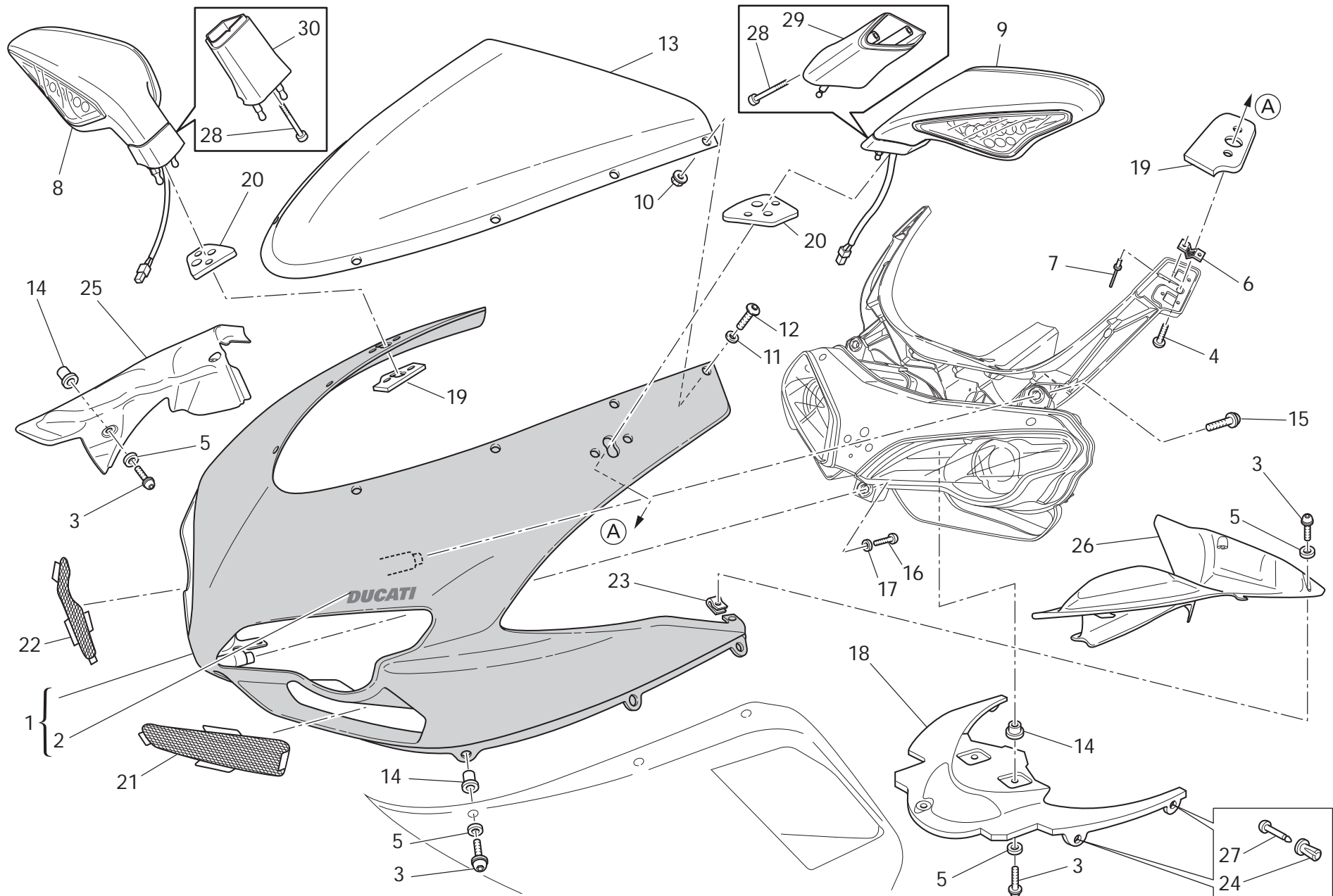
CATALOGUE No: 915.1.280.1G
ISSUED: 06 - 10

NOTES NO.	CODE NO.	DESCRIPTION	VALIDITY	Q.TY 
22	598.2.023.1A	Seat lock		1
23	830.1.425.1A	Hook		2
24	749.4.004.1A	Nut		4
25	764.1.054.1A	Rubber pad		4
26	799.1.175.1A	Spring		2
27	841.1.037.1A	Retainer		2
28	850.4.055.1A	Nut with clip		14
29	913.7.178.1B	Owner's manual		1
30	482.1.139.1A	Body panel (L.H.)		1
31	779.1.498.2A	Screw		2
32	598.1.011.1A	Latch		1
33	830.1.440.1A	Bracket		1
34	850.4.038.1A	Nut with clip		2
35	926.1.010.1A	Heat guard		8
36	926.1.006.1A	Protection		2
37	697.2.022.3A	Tool bag		1

CATALOGUE No: 915.1.280.1G
ISSUED: 06 - 10


848 EVO


DRAWING 034 Headlight fairing



848 EVO

DRAWING **034** Headlight fairing

NOTES NO.	CODE NO.	DESCRIPTION	VALIDITY	Q.TY 
1	481.2.041.4BA	Complete headlight fairing (RED)		1
1	481.2.041.4BT	Complete headlight fairing (BLACK)		1
1	481.2.041.4BW	Complete headlight fairing (WHITE)		1
2	434.1.004.1AG	Sticker "DUCATI" (for RED)		1
2	434.1.004.1AT	Sticker "DUCATI" (for BLACK)		1
2	434.1.004.1BG	Sticker "DUCATI" (for WHITE)		1
3	772.1.086.1B	Special screw		15
4	779.1.544.1A	Screw		2
5	856.1.136.1A	Washer		15
6	799.1.228.1A	Spring		4
7	736.4.012.1A	Shear rivet		8
8	523.1.020.2D	Rear-view mirror (R.H.)		1
9	523.1.021.2D	Rear-view mirror (L.H.)		1
10	750.1.028.1A	Nut		8
11	852.1.024.1A	Nylon washer		8
12	775.1.064.1A	Special screw		8
13	487.1.039.1B	Windshield		1
14	850.4.082.1A	Insert		11
15	772.5.101.8B	Screw		2
16	779.5.046.1A	Screw		1
17	852.5.029.1A	Washer		1
18	460.1.247.1A	Mudflap		1
19	866.1.077.1A	Pad		2
20	866.1.076.3A	Pad		2
21	460.1.278.1A	Protection (L.H.)		1
22	460.1.277.1A	Protection (R.H.)		1
23	850.4.047.1A	Nut with clip		4

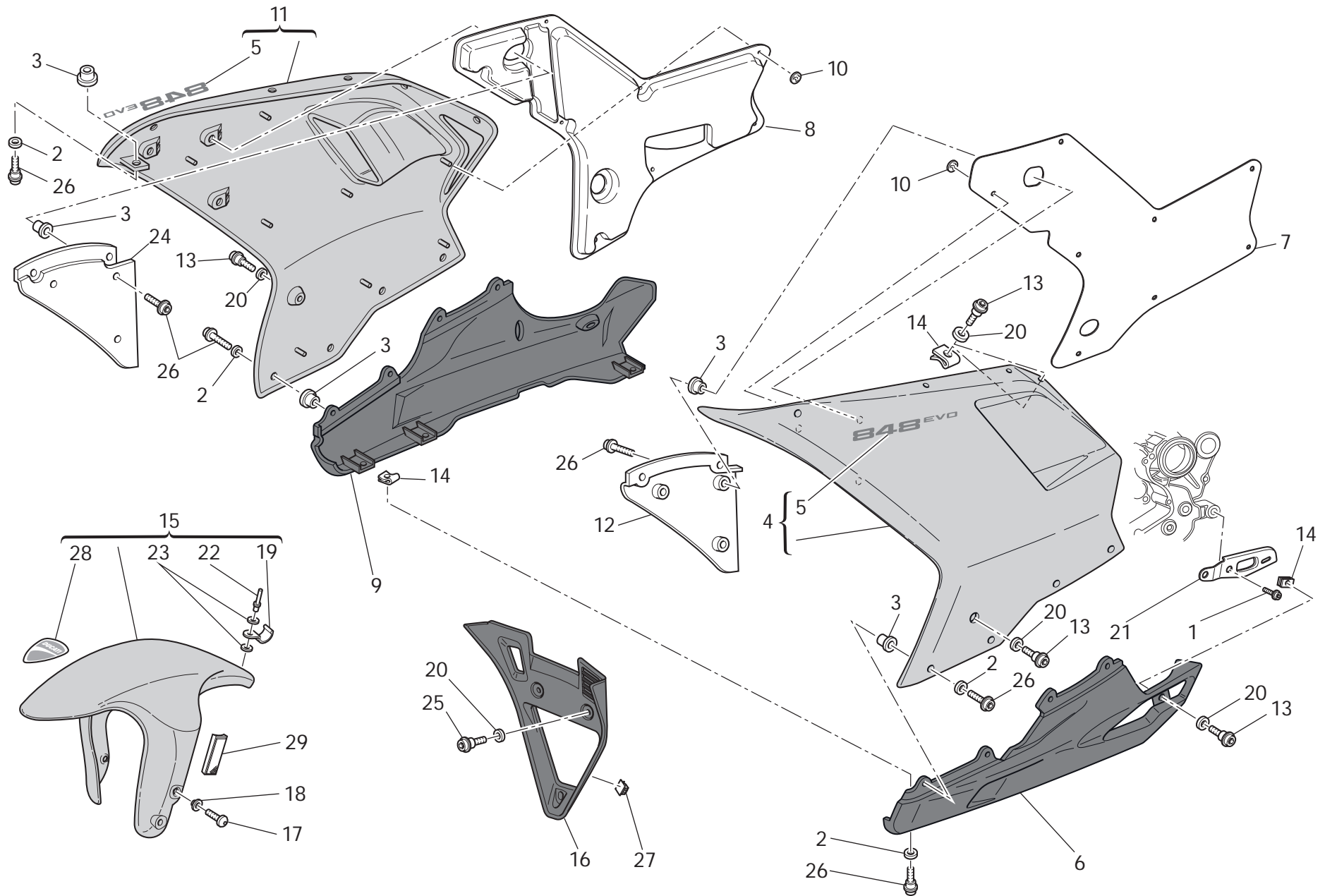
NOTES NO.	CODE NO.	DESCRIPTION	VALIDITY	Q.TY 
24	850.4.105.1A	Bush		4
25	460.1.253.1A	Protection (R.H.)		1
26	460.1.254.2A	Protection (L.H.)		1
27	850.4.104.1A	Pin		4
28	771.5.028.8B	Screw		4
29	713.1.461.1A	Spacer		1
30	713.1.460.1A	Spacer		1

CATALOGUE No: 915.1.280.1G
ISSUED: 06 - 10

CATALOGUE No: 915.1.280.1G
ISSUED: 06 - 10

848 EVO

DRAWING **034a** Fairing



848EVO

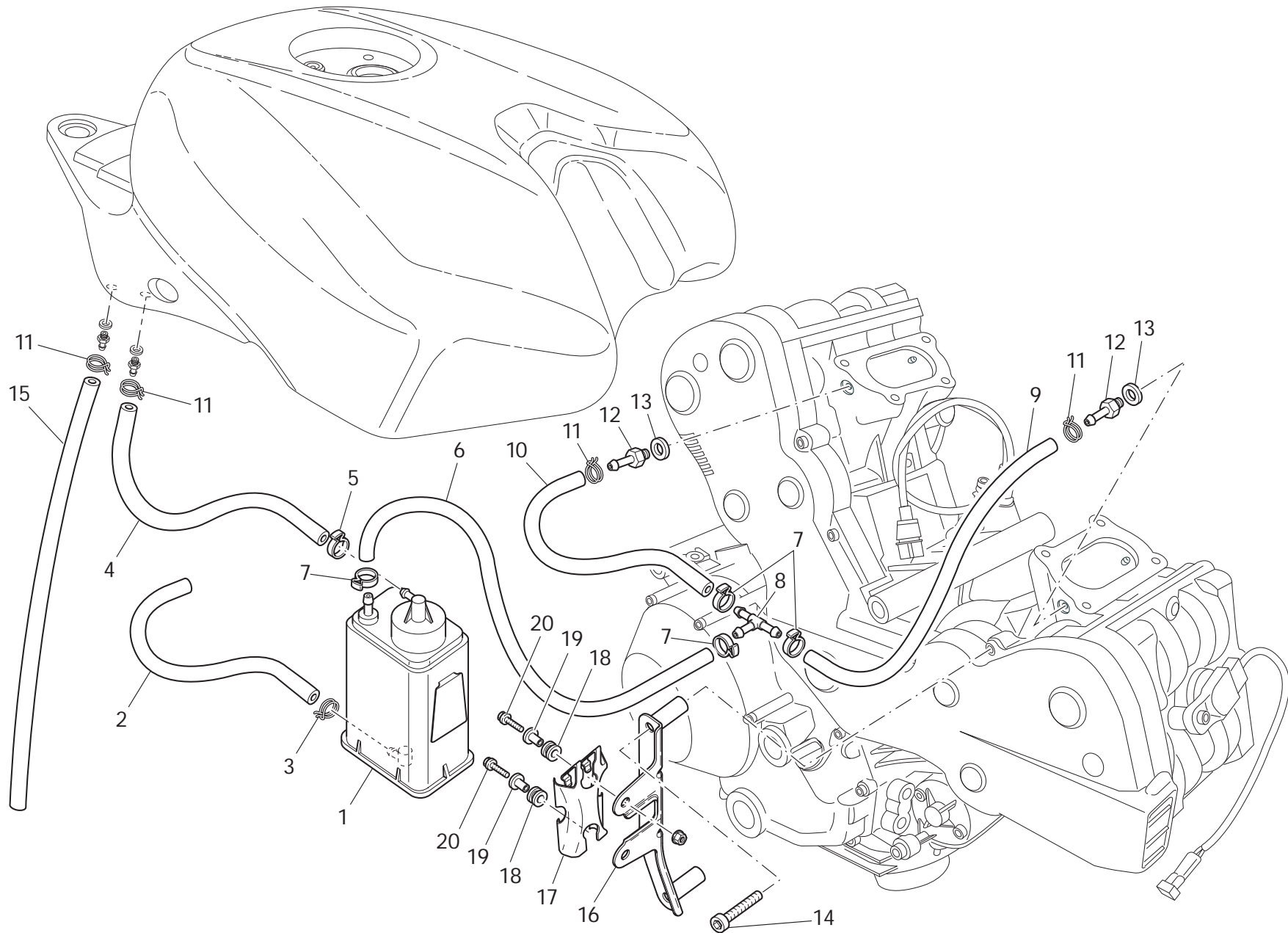
DRAWING **034a** Fairing

NOTES NO.	CODE NO.	DESCRIPTION	VALIDITY	Q.TY 
1	771.5.752.8B	Screw		1
2	856.1.136.1A	Washer		13
3	850.4.082.1A	Insert		14
4	480.1.503.1AA	Upper half-fairing (L.H.) (RED)		1
4	480.1.503.1AT	Upper half-fairing (L.H.) (BLACK)		1
4	480.1.503.1AW	Upper half-fairing (L.H.) (WHITE)		1
5	437.1.307.1AG	Sticker "848" (for RED)		2
5	437.1.307.1AT	Sticker "848" (for BLACK)		2
5	437.1.307.1BG	Sticker "848" (for WHITE)		2
6	480.1.228.1BG	Lower half-fairing (L.H.) (GREY) (for WHITE)		1
6	480.1.228.1BK	Lower half-fairing (L.H.) (BLACK) (for BLACK)		1
6	480.1.228.1CG	Lower half-fairing (L.H.) (GREY) (for RED)		1
7	486.1.073.2A	Panel (L.H.)		1
8	486.1.074.2A	Panel (R.H.)		1
9	480.1.230.2BG	Lower half-fairing (R.H.) (GREY) (for WHITE)		1
9	480.1.230.2BK	Lower half-fairing (R.H.) (BLACK) (for BLACK)		1
9	480.1.230.2CG	Lower half-fairing (R.H.) (GREY) (for RED)		1
10	850.4.109.1A	Washer		16
11	480.1.502.1AT	Upper half-fairing (R.H.) (BLACK)		1
11	480.1.502.1AA	Upper half-fairing (R.H.) (RED)		1
11	480.1.502.1AW	Upper half-fairing (R.H.) (WHITE)		1
12	460.1.249.1A	Panel (L.H.)		1
13	772.1.085.3B	Special screw		8
14	850.4.055.1A	Nut with clip		8

CATALOGUE No: 915.1.280.1G
ISSUED: 06 - 10


NOTES NO.	CODE NO.	DESCRIPTION	VALIDITY	Q.TY 
15	564.2.071.1AA	Front mudguard assembly (RED)		1
15	564.2.071.1AT	Front mudguard assembly (BLACK)		1
15	564.2.071.1AW	Front mudguard assembly (WHITE)		1
16	484.1.060.1AG	Air manifold (MATT BLACK)		1
17	772.1.089.3B	Screw		4
18	716.1.401.1A	Spacer		4
19	850.1.003.1A	Clip		1
20	852.1.218.1A	Nylon washer		11
21	830.1.468.1A	Bracket		1
22	736.4.013.1B	Shear rivet		1
23	852.1.075.1B	Washer		2
24	460.1.248.1A	Panel (R.H.)		1
25	772.1.094.3B	Special screw		3
26	772.1.086.1B	Special screw		19
27	758.4.018.1A	Hose guide		1
28	438.1.474.1A	Sticker "DUCATI"		1
29	529.1.011.1A	Cat's eye (AMBER)		2

CATALOGUE No: 915.1.280.1G
ISSUED: 06 - 10



848 EVO

DRAWING **035** Evaporative emissions canister

NOTES NO.	CODE NO.	DESCRIPTION	VALIDITY	Q.TY 
1	426.1.007.1A	Canister filter		1
2	590.1.307.1B	Tube		1
3	741.4.057.1A	Hose guide		1
4	590.1.254.1B	Filter/fuel tank outlet pipe		1
5	741.4.063.1A	Hose guide		1
6	590.1.309.1B	Tube		1
7	741.4.058.1A	Clamp		4
8	814.1.183.1A	Union "T"		1
9	590.1.308.1B	Tube		1
10	590.1.310.1B	Tube		1
11	741.4.043.1A	Hose guide		4
12	814.1.111.3B	Union		2
13	852.5.023.1A	Gasket		2
14	771.5.074.8B	Screw		2
15	934.1.007.1A	Breather pipe		1
16	830.1.448.1A	Bracket		1
17	827.1.157.1A	Plate		1
18	764.1.029.1A	Rubber pad		2
19	716.1.043.1B	Spacer		2
20	775.5.013.1A	Screw		2

NOTES NO.	CODE NO.	DESCRIPTION	VALIDITY	Q.TY 
-----------	----------	-------------	----------	--

CATALOGUE No: 915.1.280.1G
ISSUED: 06 - 10

CATALOGUE No: 915.1.280.1G
ISSUED: 06 - 10

848EVO

DRAWING 036

Data plate positions

DO NOT ATTEMPT TO LOOK THROUGH THIS FAIRING. THIS IS NOT A WINDSHIELD, BUT AN AERODYNAMIC FAIRING ONLY; FAILURE TO OBSERVE THIS WARNING COULD RESULT IN A COLLISION OR UPSET AND CONSEQUENT SERIOUS BODILY INJURY. Cod. 433.1.165.1A

1

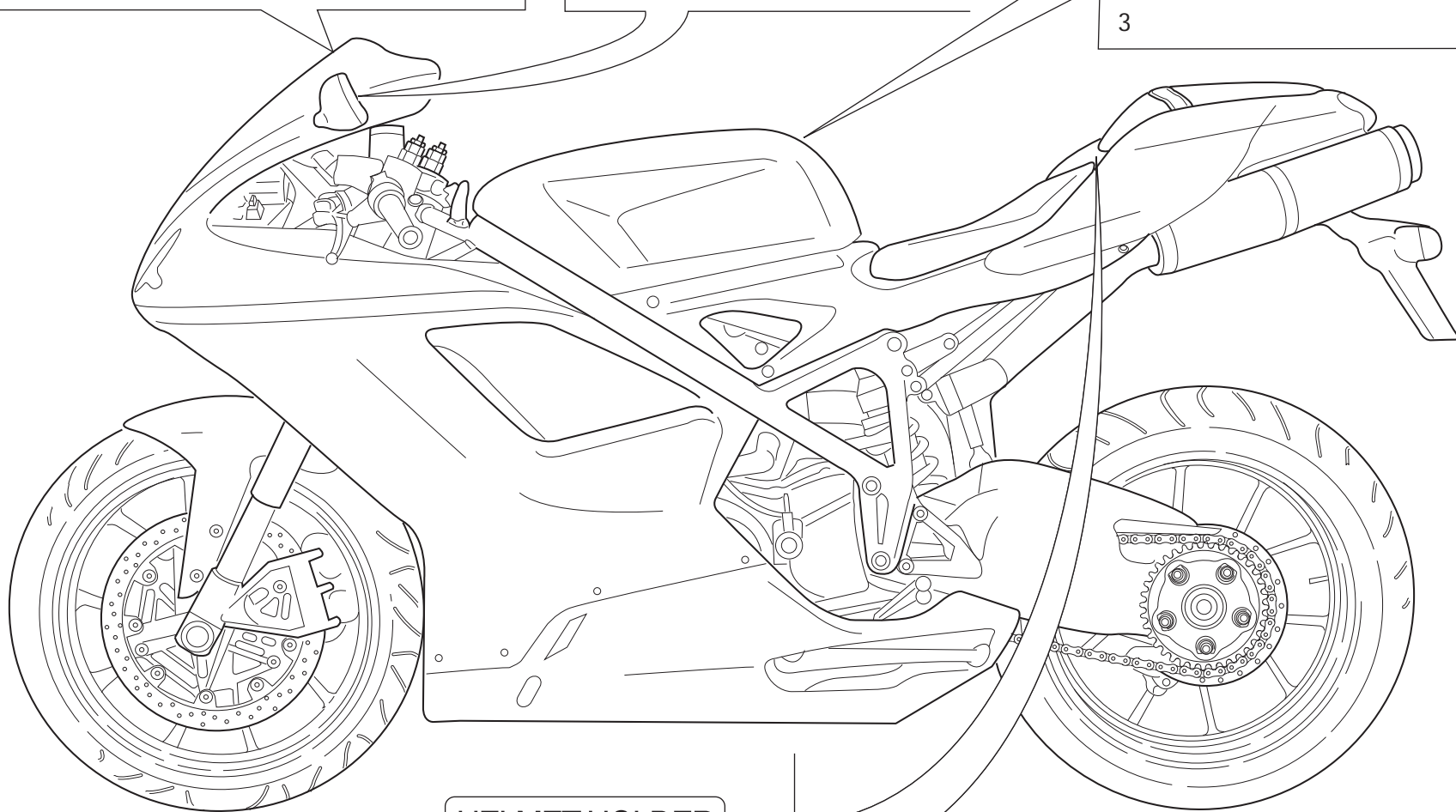
OBJECTS IN MIRROR ARE CLOSER THAN THEY APPEAR

Cod.43311661A

4

CAUTION
NEVER FILL TANK SO FUEL LEVEL RISES INTO FILLER NECK. IF TANK IS OVERFILLED, HEAT MAY CAUSE FUEL TO EXPAND AND FLOW INTO EVAPORATIVE EMISSION CONTROL SYSTEM RESULTING IN HARD STARTING AND ENGINE HESITATION. Cod. 433.1.164.1A

3




HELMET HOLDER UNDER THE SEAT

2

848^{EVO}

DRAWING **036** Data plate positions

NOTES NO.	CODE NO.	DESCRIPTION	VALIDITY	Q.TY 
1	433.1.165.1A	Sticker		1
2	433.1.170.1A	Sticker		1
3	433.1.164.1A	Sticker		1
4	433.1.166.1A	Label		1

NOTES NO.	CODE NO.	DESCRIPTION	VALIDITY	Q.TY 
-----------	----------	-------------	----------	--

CATALOGUE No: 915.1.280.1G
ISSUED: 06 - 10

CATALOGUE No: 915.1.280.1G
ISSUED: 06 - 10

848^{EVO}

Index

CODE No.	Drwg.	POS. N.	CODE No.	Drwg.	POS. N.	CODE No.	Drwg.	POS. N.	CODE No.	Drwg.	POS. N.	CODE No.	Drwg.	POS. N.
.....	014	1	117.1.044.1A	025	18	160.2.399.1A	032a	11	195.4.003.1A	004	19	247.2.130.1AC	011	31
.....	014	2	117.1.088.2A	022	27	170.2.081.1A	006	7	196.1.035.1A	004	12	251.2.008.1A	011	29
.....	015	1	117.2.007.2A	004	16	171.Z.003.1A	008	13	198.2.036.2A	004	14	254.4.001.2A	005	4
.....	015	2	120.Z.001.1A	007	5	172.1.002.1B	003	10	208.1.032.1A	014	3	255.1.010.4B	008	18
0000.36230	027a	28	120.Z.002.1A	007	10	172.1.003.3C	003	8	208.1.032.1A	015	3	255.1.019.3A	013	7
0000.68490	024	14	121.1.078.2A	007	3	172.1.004.3C	003	5	209.1.049.1A	014	16	264.2.010.3A	011	1
0251.47054	003	1	121.1.079.1A	007	2	172.1.005.3C	003	9	209.1.049.1A	015	16	270.4.010.3A	012	1
0272.91090	002	8	121.2.040.1A	007	4	172.1.008.1C	003	22	209.1.050.1A	014	4	276.1.044.1A	012	16
0370.72.020	023	8	122.2.163.1A	007	1	172.1.009.1C	003	21	209.1.050.1A	015	4	280.4.016.1A	017	13
0370.72.020	024	12	135.1.023.2A	017	7	172.1.010.3C	003	20	210.1.074.1D	014	14	282.4.088.1A	017	11
0400.09.050	002	21	135.1.028.1A	017	3	172.1.011.3C	003	23	210.1.074.1D	015	14	283.4.011.1A	017	15
0400.29.125	002	31	140.1.048.1B	017	1	172.1.218.2A	003	18	211.1.074.1A	014	5	286.2.040.1B	018a	23
0400.29.126	002	31	146.2.166.1A	006	1	172.1.219.2A	003	24	211.1.074.1A	015	5	286.4.203.1C	018	15
0660.13.143	002	9	147.1.014.2A	008	3	173.1.022.1A	012	14	225.2.250.1C	010	1	287.4.024.1B	032a	16
0660.13.165	002	25	148.2.346.1C	013	15	174.1.038.1A	009	12	242.2.088.1BC	011	13	301.2.278.2A	015	22
0665.49.680	005	8	148.2.347.1C	013	11	174.2.038.1D	009	1	243.2.118.1CE	005	1	301.2.279.2A	014	22
0670.16.145	003	7	148.2.348.1C	013	14	176.1.020.1A	012	10	245.1.131.1A	008	1	303.1.063.1BB	014	7
0670.16.150	003	3	148.2.349.1C	013	18	180.1.001.1A	002	11	245.2.070.3A	008	2	303.1.063.1BB	015	7
0670.16.155	003	19	149.1.046.1A	003	2	180.1.002.1A	002	12	245.2.112.1A	008	21	303.1.063.1BC	014	7
0670.16.170	003	26	149.1.061.1A	003	25	180.1.008.1A	002	24	247.1.287.1B	013	5	303.1.063.1BC	015	7
0670.49.310	009	17	150.2.092.3A	003	28	182.2.028.3A	002	18	247.1.288.1B	013	6	303.1.063.1BD	014	7
0691.91.030	018a	27	150.2.098.2A	003	27	184.1.010.2A	025	20	247.1.290.1A	009	19	303.1.063.1BD	015	7
0759.49.280	009	15	158.2.020.2A	006	5	187.1.002.1A	023	3	247.1.297.1A	018	3	304.1.084.1A	014	13
0765.92.205	002	21	160.1.094.1A	013	10	187.1.002.1A	024	22	247.1.299.1BB	022	11	304.1.084.1A	015	13
0799.13.110	002	27	160.1.097.1A	012	13	190.1.017.1A	004	11	247.1.300.1BB	022	8	304.1.084.1AB	014	13
112.1.012.1AB	006	8	160.1.367.4A	019	9	190.2.013.1A	004	9	247.1.305.1AF	011	23	304.1.084.1AB	015	13
112.1.012.1AC	006	8	160.1.377.1A	026a	5	194.1.027.1A	004	4	247.1.306.1A	027a	13	304.1.084.1AC	014	13

CATALOGUE No: 915.1.280.1G
ISSUED: 06 - 10

CATALOGUE No: 915.1.280.1G
ISSUED: 06 - 10

848 EVO

Index

CODE No.	Drwg.	POS. N.	CODE No.	Drwg.	POS. N.	CODE No.	Drwg.	POS. N.	CODE No.	Drwg.	POS. N.	CODE No.	Drwg.	POS. N.
304.1.084.1AC	015	13	349.1.263.1A	021a	24	390.4.021.1A	027a	19	438.1.439.1BT	033	19	460.1.260.1A	033	14
304.1.085.1A	014	10	349.1.288.1A	021a	17	390.4.022.1A	020	14	438.1.465.1AT	032	14	460.1.261.2A	033	15
304.1.085.1A	015	10	349.1.308.1A	021a	20	390.4.023.1A	020	17	438.1.465.1BG	032	14	460.1.262.2A	033	18
304.1.085.1AB	014	10	349.1.309.1A	021a	27	395.2.013.1C	018	4	438.1.474.1A	034a	28	460.1.263.1A	021	11
304.1.085.1AB	015	10	349.1.312.1A	021a	6	397.4.003.1B	018	14	442.1.139.3B	029	4	460.1.276.1A	020	16
304.1.085.1AC	014	10	349.1.313.1A	021a	19	406.1.073.3B	020	8	442.1.148.2A	029	6	460.1.277.1A	034	22
304.1.085.1AC	015	10	349.2.056.1A	021a	26	420.2.000.8A	025	37	442.1.149.2A	029	10	460.1.278.1A	034	21
341.1.072.1A	021	21	349.2.065.1A	021a	25	420.2.006.4A	016	6	444.4.003.5A	009	20	460.1.283.2A	018	23
342.2.055.1A	021	1	34913.0701A	021a	18	425.4.015.1A	032a	14	447.1.069.1A	028a	15	460.1.286.2B	019	34
344.2.037.1B	021a	2	360.2.088.2A	021	19	426.1.007.1A	035	1	447.1.070.1A	028a	17	460.1.358.1A	018	21
345.2.037.1B	021a	1	360.2.089.2A	021	24	426.1.020.1A	029	5	449.1.053.1A	003	12	460.4.728.1A	020	18
349.1.060.1B	021a	4	361.1.002.1A	021	15	433.1.164.1A	036	3	451.1.046.1A	008	4	462.4.001.1A	021	7
349.1.064.1A	021a	8	364.2.007.1B	021	33	433.1.165.1A	036	1	451.2.027.2A	008	9	462.4.046.1A	020	15
349.1.065.1A	021a	14	365.2.074.2A	028	10	433.1.166.1A	036	4	451.2.029.1A	008	10	463.2.022.2A	010	12
349.1.098.1A	021a	21	369.1.120.1A	028a	1	433.1.170.1A	036	2	455.2.003.1A	002	4	463.2.053.7A	003	14
349.1.102.1A	021a	28	370.2.076.1DB	028a	8	433.1.342.1A	028a	20	456.1.046.1B	022	20	464.1.055.1A	022	12
349.1.170.1A	021a	10	372.2.062.2A	028	8	434.1.004.1AG	034	2	456.1.054.1AB	022	19	464.1.055.1A	027	6
349.1.185.1A	021a	13	372.2.068.1A	028	4	434.1.004.1AT	034	2	457.2.042.1AB	025	6	464.1.056.1A	022	5
349.1.186.1A	021a	16	380.1.014.4B	018a	3	434.1.004.1BG	034	2	460.1.246.1A	033	17	464.1.056.1A	027	13
349.1.188.1A	021a	23	389.4.019.1A	018a	8	437.1.307.1AG	034a	5	460.1.247.1A	034	18	470.1.189.2BA	022	1
349.1.189.1A	021a	22	389.4.020.1A	018a	8	437.1.307.1AT	034a	5	460.1.248.1A	034a	24	470.1.189.2BK	022	1
349.1.209.1A	021a	3	389.4.021.1A	018a	8	437.1.307.1BG	034a	5	460.1.249.1A	034a	12	470.1.702.1AG	027	1
349.1.225.1A	021a	9	389.4.022.1A	018a	8	438.1.436.1AG	033	10	460.1.253.1A	034	25	480.1.228.1BG	034a	6
349.1.226.1A	021a	11	389.4.023.1A	018a	19	438.1.436.1BG	033	10	460.1.254.2A	034	26	480.1.228.1BK	034a	6
349.1.227.1A	021a	12	389.4.024.1A	018a	8	438.1.436.1BT	033	10	460.1.255.1A	026a	21	480.1.228.1CG	034a	6
349.1.228.1A	021a	7	390.4.019.1A	020	7	438.1.439.1AG	033	19	460.1.256.2B	019	22	480.1.230.2BG	034a	9
349.1.229.1A	021a	15	390.4.020.1A	020	13	438.1.439.1BG	033	19	460.1.259.1A	033	13	480.1.230.2BK	034a	9

CATALOGUE No: 915.1.280.1G
ISSUED: 06 - 10

CATALOGUE No: 915.1.280.1G
ISSUED: 06 - 10

848^{EVO}

Index

CODE No.	Drwg.	POS. N.	CODE No.	Drwg.	POS. N.	CODE No.	Drwg.	POS. N.	CODE No.	Drwg.	POS. N.	CODE No.	Drwg.	POS. N.
480.1.230.2CG	034a	9	501.2.130.1AB	026	10	539.4.003.1B	025	5	564.2.071.1AA	034a	15	593.4.030.1A	019	31
480.1.502.1AA	034a	11	502.1.133.1AA	026	7	539.4.030.2A	016	13	564.2.071.1AT	034a	15	595.1.080.1A	033	1
480.1.502.1AT	034a	11	502.1.133.1AB	026	7	539.4.035.1A	024	5	564.2.071.1AW	034a	15	595.1.081.1A	033	16
480.1.502.1AW	034a	11	510.1.570.1A	018a	21	539.4.036.1A	023	22	570.1.261.2A	019	4	598.1.011.1A	033	32
480.1.503.1AA	034a	4	510.1.577.1B	018a	14	540.4.019.1A	018	8	570.1.263.3A	019	21	598.2.023.1A	033	22
480.1.503.1AT	034a	4	510.1.720.1B	018a	1	541.4.010.1A	018a	6	573.1.199.3C	019	30	598.2.054.2A	033	21
480.1.503.1AW	034a	4	510.1.727.1A	018a	31	548.4.074.2B	030	1	574.1.196.3C	019	29	598.4.024.2A	021	12
481.2.041.4BA	034	1	514.1.032.1A	001d	9	548.4.082.1A	016	1	585.1.057.1A	031	1	610.4.090.1A	024	9
481.2.041.4BT	034	1	514.1.033.1A	001d	13	549.1.030.1A	016	7	585.4.001.1A	025	26	610.4.091.1A	024	26
481.2.041.4BW	034	1	514.1.035.1A	001d	10	549.1.099.1A	016	11	585.4.008.1A	023	12	611.4.020.1A	025	29
482.1.139.1A	033	30	514.1.036.1A	001d	10	550.4.017.1A	030	9	585.4.009.1A	024	15	612.4.005.1A	023	4
482.1.140.1A	033	11	514.1.037.1A	001d	6	550.4.018.1A	030	8	586.1.160.2BT	032	1	612.4.005.1A	024	21
483.2.160.1AT	033	12	514.1.038.1A	001d	14	552.1.037.1A	001d	4	586.1.170.2BA	032	1	612.4.008.1A	025	31
483.2.170.1AA	033	12	514.1.051.1A	018	17	552.1.038.1A	001d	5	586.1.170.2BW	032	1	612.4.016.1A	025	36
483.2.170.1AW	033	12	516.4.001.1AB	018a	12	552.1.039.1A	001d	19	587.1.051.2A	032	2	612.4.037.1A	024	30
484.1.060.1AG	034a	16	518.4.004.2B	021	25	552.1.040.1A	001d	11	587.1.052.2A	032	3	613.4.038.1A	025	30
486.1.072.1A	005	16	520.1.015.5A	020	1	552.1.111.1A	019	11	590.1.189.1A	001d	1	613.4.079.1A	024	8
486.1.073.2A	034a	7	523.1.020.2D	034	8	552.4.012.1A	020	11	590.1.190.1A	001d	2	618.4.074.1A	024	19
486.1.074.2A	034a	8	523.1.021.2D	034	9	552.4.013.1A	031	9	590.1.254.1B	035	4	618.4.075.1A	024	20
486.1.075.2A	032	15	525.1.031.1A	027a	16	552.4.037.2E	025	34	590.1.300.1A	032a	8	619.4.034.1A	025	28
487.1.039.1B	034	13	525.1.032.3A	027a	24	552.4.048.2A	032a	9	590.1.307.1B	035	2	624.4.052.1A	024	1
492.4.076.1A	026a	19	529.1.010.1A	027a	8	552.4.132.1B	010	26	590.1.308.1B	035	9	625.4.021.1A	025	16
492.4.085.1A	026	5	529.1.011.1A	034a	29	553.4.004.1A	031	19	590.1.309.1B	035	6	626.4.031.1A	023	18
494.2.138.1A	026a	10	530.1.020.1B	027a	18	556.1.046.2AB	022a	3	590.1.310.1B	035	10	626.4.031.1A	024	24
497.2.001.2A	026	3	530.1.021.1B	027a	14	556.2.034.1A	022a	1	590.2.025.4A	017	20	626.4.056.1A	023	20
497.2.003.1A	026	16	539.1.021.1B	002	6	561.1.025.1A	027a	1	593.1.018.1A	009	5	626.4.056.1A	024	7
501.2.130.1AA	026	10	539.1.022.3A	022a	5	561.1.027.1A	027a	7	593.2.042.1A	010	11	630.4.043.1A	023	1

CATALOGUE No: 915.1.280.1G
ISSUED: 06 - 10

CATALOGUE No: 915.1.280.1G
ISSUED: 06 - 10

848 EVO

Index

CODE No.	Drwg.	POS. N.	CODE No.	Drwg.	POS. N.	CODE No.	Drwg.	POS. N.	CODE No.	Drwg.	POS. N.	CODE No.	Drwg.	POS. N.
631.4.008.1A	023	21	698.1.033.1A	001d	15	710.1.132.1A	028	11	713.1.309.1A	004	13	716.1.414.1A	019	6
631.4.008.1A	024	6	699.2.345.1A	032a	12	711.1.067.1A	026a	23	713.1.330.1A	032	11	716.1.419.1A	030	5
631.4.016.1A	025	25	700.1.036.1A	012	12	711.1.089.1A	006	6	713.1.365.1A	005	22	72094.1616	010	17
631.4.017.1A	023	2	700.1.043.1A	020	9	711.1.095.1A	010a	7	713.1.365.1A	011	40	732.2.021.2A	019	20
631.4.019.1A	024	2	700.9.055.1A	026a	9	711.1.160.1A	005	13	713.1.373.1A	027a	26	73500.1542	002	15
631.4.028.1A	023	19	701.4.004.1A	028	7	711.1.160.1A	011	14	713.1.393.1A	003	13	73503.3380	010	9
631.4.028.1A	024	29	701.4.005.1A	003	4	711.1.219.1A	007	12	713.1.460.1A	034	30	73503.3380	010a	10
632.1.042.1A	023	6	701.4.017.1A	028a	6	712.1.018.1A	026a	7	713.1.461.1A	034	29	73503.3380	011	17
650.1.008.1A	021	17	701.4.023.1A	012	11	712.1.029.1A	028a	9	713.1.483.1A	004	15	736.4.012.1A	034	7
651.1.008.1A	021	14	702.4.004.1A	021	3	712.1.030.1A	028a	12	713.1.915.1A	002	29	736.4.013.1B	034a	22
652.4.012.2A	021	10	702.4.009.1A	011	11	712.1.034.1A	022	17	713.1.919.1A	012	9	737.4.025.1A	008	5
654.2.016.1A	021	8	702.4.010.2A	011	9	712.1.034.1A	025	10	714.1.027.1A	026	15	741.1.010.1A	018a	5
656.2.003.1B	021	13	702.4.013.1A	010	19	713.1.014.1E	003	11	714.1.083.1A	026a	12	741.1.012.1A	018a	28
668.1.001.4A	007	14	702.4.018.1A	012	15	713.1.128.1B	011	27	714.1.094.1A	026	9	741.1.013.1A	031	22
668.1.001.4A	011	16	702.4.033.1A	010	21	713.1.140.1A	010a	4	715.1.003.1A	028	5	741.1.037.1A	019	15
669.1.001.1E	014	6	702.4.033.1A	010a	2	713.1.187.1A	028a	11	716.1.022.1B	020	6	741.1.038.1A	019	14
669.1.001.1E	015	6	702.4.092.1A	010	4	713.1.192.1A	025	33	716.1.043.1B	029	12	741.1.040.1A	018a	24
670.4.038.1A	018a	4	702.4.093.1A	010a	11	713.1.196.1A	026	17	716.1.043.1B	035	19	741.1.052.1AB	024	27
676.2.069.1A	026a	1	702.5.008.1A	010	6	713.1.197.3A	026	2	716.1.072.2A	008	20	741.4.001.1A	031	7
676.4.069.1A	026a	8	702.5.008.1A	011	4	713.1.210.1A	021	35	716.1.106.1A	018	16	741.4.038.1A	018a	2
677.4.013.1A	026a	27	702.5.019.1A	010a	1	713.1.239.1A	028	2	716.1.128.1A	008	17	741.4.038.1A	030	2
680.1.001.1B	009	24	702.5.045.1A	026	8	713.1.241.1A	019	33	716.1.143.1A	027a	17	741.4.043.1A	023	14
680.1.013.1A	006	10	702.5.045.1A	028a	10	713.1.266.1A	003	15	716.1.144.1A	019	41	741.4.043.1A	024	16
680.1.013.1A	008	16	703.1.013.1A	021	9	713.1.292.1A	014	9	716.1.401.1A	034a	18	741.4.043.1A	025	17
680.5.006.1A	013	12	703.5.002.2A	013	2	713.1.292.1A	015	9	716.1.407.1A	019	26	741.4.043.1A	035	11
696.1.012.1A	027	15	703.5.006.2A	008	12	713.1.292.1B	014	25	716.1.409.1A	016	3	741.4.057.1A	035	3
697.2.022.3A	033	37	710.1.109.1A	028a	4	713.1.292.1B	015	26	716.1.412.1A	021	30	741.4.058.1A	035	7

CATALOGUE No: 915.1.280.1G
ISSUED: 06 - 10

CATALOGUE No: 915.1.280.1G
ISSUED: 06 - 10

848 EVO

Index

CODE No.	Drwg.	POS. N.	CODE No.	Drwg.	POS. N.	CODE No.	Drwg.	POS. N.	CODE No.	Drwg.	POS. N.	CODE No.	Drwg.	POS. N.
741.4.063.1A	029	21	749.4.004.1A	022	21	759.1.009.1A	026	12	770.5.250.8B	010a	5	771.5.065.8B	017	2
741.4.063.1A	035	5	749.4.004.1A	033	24	764.1.001.1A	032	10	770.5.250.8B	011	6	771.5.066.3B	011	20
741.4.092.1A	032a	6	749.4.008.1A	008	7	764.1.011.2A	022	18	771.1.019.1A	021	32	771.5.066.8B	018a	20
741.4.158.1A	032a	13	749.4.111.8B	019	18	764.1.011.2A	025	12	771.1.031.1A	028	1	771.5.067.0Z	002	28
741.4.165.1A	029	13	749.4.111.8B	027a	22	764.1.022.1A	016	2	771.1.039.1A	021	31	771.5.067.3B	011	3
741.4.171.1A	031	21	749.4.112.8B	027	3	764.1.022.1A	018	18	771.1.039.1A	027a	5	771.5.069.3B	005	5
741.4.181.1A	031	20	750.1.007.1A	003	30	764.1.022.1A	030	4	771.1.039.1B	026a	22	771.5.069.3B	011	19
741.4.186.1A	029	19	750.1.028.1A	034	10	764.1.024.1A	019	5	771.1.041.1A	020	4	771.5.069.8B	016	9
741.4.187.1A	017	16	750.1.048.1A	022a	10	764.1.029.1A	035	18	771.1.043.1A	022a	2	771.5.071.3B	011	15
741.4.190.1A	031	5	750.1.073.2A	006	14	764.1.050.1A	022	26	771.1.046.1A	021	4	771.5.071.8B	018a	26
741.4.192.1A	007	7	750.1.113.1A	006	13	764.1.051.1A	022	25	771.1.047.1A	011	38	771.5.072.3B	005	19
7475.001.1AB	022	29	750.1.121.1A	012	3	764.1.054.1A	033	25	771.1.049.1A	012	5	771.5.072.3B	011	39
7475.003.1A	025	15	750.1.149.1A	021	20	764.1.056.1B	029	11	771.1.050.1A	021	23	771.5.072.3B	012	6
7475.007.1A	021	22	750.1.150.1A	027a	2	764.1.062.1B	018	1	771.1.051.8B	009	10	771.5.072.8B	010a	14
7475.010.1A	022	23	750.1.158.1AA	026a	2	764.1.063.1A	019	28	771.1.052.1A	012	7	771.5.072.8C	004	3
7475.011.1A	024	32	750.1.159.1AA	026	13	764.1.087.1A	014	8	771.1.053.1A	018a	10	771.5.074.8B	035	14
748.1.013.1A	004	7	750.1.160.1A	008	15	764.1.087.1A	015	8	771.1.231.1A	026a	14	771.5.080.8B	010a	15
748.1.024.1A	019	1	750.5.005.1A	018	2	764.1.090.1A	018	13	771.1.233.1A	017	6	771.5.081.3B	005	3
748.1.035.1B	019	8	756.2.008.1A	026a	13	764.1.090.1A	020	2	771.1.380.1A	008	6	771.5.083.3B	005	2
748.1.036.1A	019	40	75794.1542	010a	9	764.1.090.1A	027a	25	771.5.028.8B	034	28	771.5.125.0Z	002	30
748.1.040.1A	002	23	758.1.036.1A	029	15	764.1.097.1A	020	12	771.5.040.8B	032	8	771.5.127.8B	019	10
748.1.050.1A	010	14	758.1.039.2A	017	14	764.1.098.1A	027a	20	771.5.043.8B	027a	9	771.5.129.8B	009	8
748.1.065.1A	026	1	758.1.041.2A	005	21	76402.0002	003	17	771.5.045.7E	032	9	771.5.136.8B	010a	22
748.4.002.1A	022	2	758.4.015.1A	029	20	766.1.055.2B	010	16	771.5.064.8B	011	5	771.5.139.8B	010	10
748.4.024.1AB	026a	4	758.4.017.1A	017	5	766.4.019.1A	014	21	771.5.064.8B	016	8	771.5.139.8B	010a	17
748.4.037.1AB	028	3	758.4.018.1A	034a	27	766.4.019.1A	015	21	771.5.065.2BB	004	6	771.5.639.8B	027a	12
748.4.038.1A	020	10	759.1.008.1A	026a	20	76835.1134	002	10	771.5.065.8B	010	2	771.5.640.8B	018a	30

CATALOGUE No: 915.1.280.1G
ISSUED: 06 - 10

CATALOGUE No: 915.1.280.1G
ISSUED: 06 - 10

848 EVO

Index

CODE No.	Drwg.	POS. N.	CODE No.	Drwg.	POS. N.	CODE No.	Drwg.	POS. N.	CODE No.	Drwg.	POS. N.	CODE No.	Drwg.	POS. N.
771.5.645.8B	024	33	772.1.077.2A	022	7	773.5.061.8B	014	20	779.1.203.3A	002	7	779.5.046.1A	034	16
771.5.667.8B	018	11	772.1.078.1A	028a	3	773.5.062.8B	025	24	779.1.237.1B	025	8	779.5.059.1A	023	10
771.5.667.8B	022	14	772.1.084.2A	033	5	775.1.004.1A	019	38	779.1.309.1AB	024	28	779.5.059.1A	024	10
771.5.668.8B	018	20	772.1.085.2A	017	8	775.1.017.1B	032a	7	779.1.331.1D	024	25	779.5.062.1A	010a	12
771.5.669.8B	018	12	772.1.085.3B	033	6	775.1.017.1C	017	12	779.1.366.1AB	023	16	780.1.007.1A	019	25
771.5.669.8B	021	6	772.1.085.3B	034a	13	775.1.019.1A	028a	13	779.1.366.1AB	024	23	780.1.018.1C	009	2
771.5.672.8B	018	9	772.1.086.1B	033	7	775.1.031.1B	010	25	779.1.366.1AB	025	22	780.1.051.2A	014	12
771.5.723.8B	025	32	772.1.086.1B	034	3	775.1.031.1B	010a	20	779.1.399.1A	026	4	780.1.051.2A	015	12
771.5.723.8B	027	12	772.1.086.1B	034a	26	775.1.033.1A	019	17	779.1.404.1A	006	9	780.1.072.1A	010a	6
771.5.725.8B	021	18	772.1.087.3A	027	2	775.1.051.1A	032	5	779.1.415.1A	024	3	780.5.001.2A	005	17
771.5.727.8B	021a	5	772.1.088.2B	019	24	775.1.051.1A	032a	3	779.1.421.1A	014	23	780.5.001.2A	011	33
771.5.728.8B	032	13	772.1.089.3B	018a	17	775.1.064.1A	034	12	779.1.421.1A	015	23	786.1.094.1A	007	13
771.5.752.8B	034a	1	772.1.089.3B	034a	17	775.5.001.3C	027a	15	779.1.440.2A	028a	16	786.1.096.1A	007	11
771.5.756.8B	025	2	772.1.094.3B	034a	25	775.5.013.1A	027a	11	779.1.484.2B	022	24	787.1.011.1A	016	4
771.5.938.8B	028	9	772.1.110.1A	017	18	775.5.013.1A	035	20	779.1.493.2A	025	14	788.1.054.2A	012	4
772.1.005.1B	026a	25	772.1.134.1A	018a	13	775.5.021.1A	010	29	779.1.498.2A	033	31	788.1.093.1A	013	9
772.1.042.2A	029	7	772.5.034.1A	008	22	777.5.049.3C	011	24	779.1.499.2A	033	20	788.1.094.1A	013	8
772.1.046.1B	022	6	772.5.038.1AB	019	7	778.4.004.1A	009	26	779.1.501.1A	005	7	788.1.096.2A	017	9
772.1.050.1C	027	5	772.5.038.1AB	029	9	779.1.026.2A	011	10	779.1.503.1A	028a	18	788.1.097.2A	017	10
772.1.050.1C	032	4	772.5.099.8B	025	35	779.1.039.1A	002	3	779.1.504.1A	028	12	788.1.098.1A	029	8
772.1.059.1A	018	22	772.5.101.8B	020	5	779.1.082.1AB	023	5	779.1.509.3A	013	3	788.1.100.1A	019	16
772.1.059.1A	031	3	772.5.101.8B	034	15	779.1.092.1A	023	7	779.1.544.1A	034	4	790.1.015.1A	019	2
772.1.060.1A	009	16	772.5.103.8B	030	3	779.1.092.1A	024	13	779.1.547.1A	006	4	791.1.039.1A	032	16
772.1.060.1A	025	7	773.1.004.1A	019	19	779.1.099.1B	021	16	779.1.650.1AE	010a	24	791.2.045.1A	007	6
772.1.062.1A	019	39	773.1.005.1A	017	19	779.1.109.2A	006	2	779.4.005.3A	022a	4	797.1.032.1A	004	1
772.1.062.1A	031	15	773.1.005.1A	029	16	779.1.162.2A	009	13	779.4.075.1A	011	37	799.1.024.1A	027	10
772.1.063.1A	025	19	773.5.061.8B	010a	13	779.1.202.1B	030	6	779.5.030.2A	013	16	799.1.049.1A	002	1

CATALOGUE No: 915.1.280.1G
ISSUED: 06 - 10

CATALOGUE No: 915.1.280.1G
ISSUED: 06 - 10

848 EVO

Index

CODE No.	Drwg.	POS. N.	CODE No.	Drwg.	POS. N.	CODE No.	Drwg.	POS. N.	CODE No.	Drwg.	POS. N.	CODE No.	Drwg.	POS. N.
799.1.055.1A	009	3	800.1.153.1B	031	18	821.1.223.1B	015	15	830.1.235.1A	011	35	840.1.014.1A	14/15	1
799.1.158.1A	022a	6	8000.53724	018a	7	821.1.268.1A	002	13	830.1.409.1A	016	10	840.1.015.1A	14/15	1
799.1.166.1B	022	3	8000.56443	023	13	821.1.273.1A	025	13	830.1.418.1A	027	4	840.1.016.1A	14/15	1
799.1.175.1A	033	26	8000.56443	024	18	821.1.325.1A	002	17	830.1.425.1A	033	23	840.1.017.1A	14/15	1
799.1.191.1A	004	10	8000.70139	001b	8	821.1.347.1A	012	8	830.1.429.1A	031	4	840.1.018.1A	14/15	1
799.1.228.1A	034	6	814.1.111.3B	035	12	824.1.146.1AB	022	28	830.1.431.1A	032	6	840.1.019.1A	14/15	1
799.1.256.1A	025	4	814.1.114.1A	001d	8	824.1.147.1AB	022	9	830.1.432.1A	032a	5	840.1.020.1A	14/15	1
799.1.263.2A	019	3	814.1.183.1A	035	8	824.1.148.1AB	027	9	830.1.433.1A	032a	4	840.1.021.1A	14/15	1
799.1.482.1A	002	20	814.1.188.1A	015	25	824.1.149.1AB	027	8	830.1.440.1A	033	33	840.1.022.1A	14/15	1
799.1.485.1A	014	19	814.1.235.1B	031	14	825.1.038.1A	026a	17	830.1.448.1A	035	16	840.1.023.1A	14/15	1
799.1.485.1A	015	19	814.1.236.1C	031	11	826.1.012.1A	010	18	830.1.463.1A	018a	29	840.1.024.1A	14/15	1
799.1.486.1A	014	18	814.1.312.1A	029	18	826.1.029.2A	002	33	830.1.468.1A	034a	21	840.1.025.1A	14/15	1
799.1.486.1A	015	18	814.4.010.1A	032a	10	827.1.157.1A	035	17	831.1.015.1A	010a	26	840.1.026.1A	14/15	1
799.1.518.1A	014	26	815.1.022.1A	016	5	827.1.430.1A	018a	15	832.1.047.1A	028a	14	840.1.027.1A	14/15	1
799.1.518.1A	015	27	815.1.028.1A	009	21	827.1.431.1A	027a	21	840.1.001.1A	14/15	1	840.1.028.1A	14/15	1
799.1.519.1A	014	27	818.1.016.2A	004	5	827.1.433.1A	005	14	840.1.002.1A	14/15	1	840.1.029.1A	14/15	1
799.1.519.1A	015	28	819.1.060.1A	026	11	827.1.442.1A	027a	27	840.1.003.1A	14/15	1	840.1.030.1A	14/15	1
799.2.077.2A	009	14	819.Z.001.1B	026a	6	829.1.190.1A	018a	9	840.1.004.1A	14/15	1	840.1.031.1A	14/15	1
799.2.159.1A	022a	7	821.1.001.1A	002	26	829.1.260.2A	022a	8	840.1.005.1A	14/15	1	840.1.032.1A	14/15	1
799.4.009.1A	019	37	821.1.051.1AB	022	4	829.1.756.1A	018a	16	840.1.006.1A	14/15	1	840.1.033.1A	14/15	1
799.4.012.1A	010a	23	821.1.051.1AB	027	7	829.1.939.2A	018	10	840.1.007.1A	14/15	1	840.1.034.1A	14/15	1
799.5.001.2A	004	8	821.1.103.2A	022a	9	829.1.942.1A	025	1	840.1.008.1A	14/15	1	840.1.041.2B	14/15	2
800.1.122.1A	007	9	821.1.170.1B	022	13	829.1.945.1A	023	9	840.1.009.1A	14/15	1	840.1.042.2B	14/15	2
800.1.123.1A	007	8	821.1.170.1B	025	9	829.1.946.1A	024	11	840.1.010.1A	14/15	1	840.1.043.2B	14/15	2
800.1.150.1A	031	17	821.1.222.1B	014	17	829.1.947.1A	027a	4	840.1.011.1A	14/15	1	840.1.044.2B	14/15	2
800.1.151.1A	031	16	821.1.222.1B	015	17	829.2.079.1A	021	29	840.1.012.1A	14/15	1	840.1.045.2B	14/15	2
800.1.152.1B	031	13	821.1.223.1B	014	15	829.2.943.2A	020	3	840.1.013.1A	14/15	1	840.1.046.2B	14/15	2

CATALOGUE No: 915.1.280.1G
ISSUED: 06 - 10

CATALOGUE No: 915.1.280.1G
ISSUED: 06 - 10

848 EVO

Index

CODE No.	Drwg.	POS. N.	CODE No.	Drwg.	POS. N.	CODE No.	Drwg.	POS. N.	CODE No.	Drwg.	POS. N.	CODE No.	Drwg.	POS. N.
840.1.047.2B	14/15	2	840.1.074.2B	14/15	2	850.4.038.1A	033	34	852.1.072.1A	019	23	852.1.195.1A	009	7
840.1.048.2B	14/15	2	840.1.075.2B	14/15	2	850.4.047.1A	018a	11	852.1.075.1B	034a	23	852.1.195.1A	016	12
840.1.049.2B	14/15	2	840.1.076.2B	14/15	2	850.4.047.1A	034	23	852.1.094.1A	002	19	852.1.216.1A	028a	2
840.1.050.2B	14/15	2	840.1.077.2B	14/15	2	850.4.052.1A	027a	6	852.1.099.1A	032	12	852.1.218.1A	033	4
840.1.051.2B	14/15	2	840.1.078.2B	14/15	2	850.4.055.1A	019	13	852.1.103.1A	021	27	852.1.218.1A	034a	20
840.1.052.2B	14/15	2	840.1.079.2B	14/15	2	850.4.055.1A	032	7	852.1.104.1H	006	11	852.1.222.1A	026	6
840.1.053.2B	14/15	2	840.1.080.2B	14/15	2	850.4.055.1A	033	28	852.1.104.1K	006	11	852.1.232.1A	019	27
840.1.054.2B	14/15	2	840.1.081.2B	14/15	2	850.4.055.1A	034a	14	852.1.104.1L	006	11	852.1.233.1A	026a	24
840.1.055.2B	14/15	2	840.1.082.2B	14/15	2	850.4.067.1A	018a	18	852.1.104.1M	006	11	852.1.246.1A	010a	25
840.1.056.2B	14/15	2	840.1.083.2B	14/15	2	850.4.082.1A	033	9	852.1.104.1N	006	11	852.1.251.1A	029	14
840.1.057.2B	14/15	2	840.1.084.2B	14/15	2	850.4.082.1A	034	14	852.1.104.2A	006	11	852.1.264.1A	005	20
840.1.058.2B	14/15	2	840.1.085.2B	14/15	2	850.4.082.1A	034a	3	852.1.104.2B	006	11	852.1.264.1A	011	2
840.1.059.2B	14/15	2	840.1.086.2B	14/15	2	850.4.102.1A	027a	10	852.1.104.2C	006	11	852.1.264.1A	018a	32
840.1.060.2B	14/15	2	840.1.087.2B	14/15	2	850.4.104.1A	034	27	852.1.104.2D	006	11	852.1.269.1A	006	3
840.1.061.2B	14/15	2	841.1.037.1A	033	27	850.4.105.1A	034	24	852.1.104.2E	006	11	852.4.013.1A	017	4
840.1.062.2B	14/15	2	841.1.046.1A	004	2	850.4.109.1A	034a	10	852.1.104.2F	006	11	852.5.009.1A	019	32
840.1.063.2B	14/15	2	841.1.050.1A	028a	19	851.1.004.1A	003	29	852.1.104.2G	006	11	852.5.023.1A	010a	16
840.1.064.2B	14/15	2	841.1.052.1A	019	36	851.1.013.1A	008	14	852.1.104.2I	006	11	852.5.023.1A	011	30
840.1.065.2B	14/15	2	847.4.002.1A	027	11	851.4.003.1A	006	12	852.1.104.2J	006	11	852.5.023.1A	014	28
840.1.066.2B	14/15	2	847.4.006.1A	010a	21	852.1.005.1A	002	14	852.1.114.1A	011	34	852.5.023.1A	015	20
840.1.067.2B	14/15	2	848.4.011.1A	028	13	852.1.024.1A	034	11	852.1.135.1A	005	10	852.5.023.1A	035	13
840.1.068.2B	14/15	2	848.5.001.1A	022	16	852.1.053.2A	002	2	852.1.159.1A	026a	15	852.5.024.1A	002	5
840.1.069.2B	14/15	2	848.5.002.1A	022	22	852.1.053.2A	022	15	852.1.172.1A	009	11	852.5.024.1A	005	6
840.1.070.2B	14/15	2	850.1.003.1A	034a	19	852.1.053.2A	025	3	852.1.172.1A	011	7	852.5.024.1A	011	32
840.1.071.2B	14/15	2	850.1.006.1A	032a	2	852.1.055.1A	026a	26	852.1.174.1A	008	8	852.5.024.1A	019	12
840.1.072.2B	14/15	2	850.4.038.1A	027a	23	852.1.057.1A	026	14	852.1.174.1A	009	9	852.5.024.1A	023	17
840.1.073.2B	14/15	2	850.4.038.1A	029	3	852.1.058.2A	026a	3	852.1.186.1A	019	35	852.5.024.1A	024	4

CATALOGUE No: 915.1.280.1G
ISSUED: 06 - 10

CATALOGUE No: 915.1.280.1G
ISSUED: 06 - 10

848 EVO

Index

CODE No.	Drwg.	POS. N.	CODE No.	Drwg.	POS. N.	CODE No.	Drwg.	POS. N.	CODE No.	Drwg.	POS. N.	CODE No.	Drwg.	POS. N.
852.5.024.1A	025	23	866.1.030.1A	033	3	884.4.025.1A	033	8	886.5.003.1A	026a	16	88713.1821	001a	9
852.5.026.1A	011	25	866.1.075.1A	027a	3	884.5.003.1A	022	10	886.5.013.1A	010	3	88713.1832	001	9
852.5.026.1B	014	11	866.1.076.3A	034	20	884.5.003.1A	027	14	886.5.013.1A	010a	18	88713.1906	001a	15
852.5.026.1B	015	11	866.1.077.1A	034	19	884.5.004.1A	026a	18	886.5.014.1A	021	34	88713.1920	001a	8
852.5.029.1A	018	6	866.1.078.1A	018	5	884.5.011.1A	011	8	886.5.048.1A	032a	15	88713.2011	001a	7
852.5.029.1A	034	17	866.1.079.1A	018	19	884.5.013.1A	005	11	886.5.051.1A	013	1	88713.2409	001b	15
852.5.042.1A	010	5	872.1.048.1A	021	5	884.5.034.1A	002	22	88700.5749	001	14	88713.2422	001a	4
853.1.003.1A	010	30	872.1.053.1A	018a	22	884.5.039.1A	009	25	88713.0137	001	17	88713.2423	001	12
853.1.003.1A	012	2	872.1.054.2A	028a	7	884.5.048.1A	002	16	88713.0869	001	15	88713.2442	001	2
853.5.009.1A	018a	33	872.1.059.1A	021	28	886.1.013.1A	032a	1	88713.0870	001	16	88713.2562	001b	13
853.5.010.1A	018	7	872.4.044.1A	028a	21	886.1.024.1A	010	27	88713.0957	001b	12	88713.2571	001	4
855.5.000.1B	018a	25	872.4.056.1A	024	31	886.1.095.1A	011	22	88713.0958	001b	16	88713.2651	001	10
856.1.001.1A	003	6	872.4.060.1A	030	7	886.4.033.1A	009	4	88713.1010	001a	2	88713.2676	001	1
856.1.031.1A	003	16	873.1.005.1A	013	13	886.4.033.1A	010	28	88713.1038	001b	5	88713.2832	001a	1
856.1.062.2A	008	19	875.1.065.1A	001d	3	886.4.034.1A	009	18	88713.1058	001b	7	88713.2863	001	7
856.1.064.2A	010	15	875.1.146.1A	010	24	886.4.037.1A	009	6	88713.1062	001b	9	88713.2870	001a	10
856.1.074.2A	013	4	875.1.146.1A	010a	19	886.4.043.1A	004	18	88713.1068	001b	2	88713.2877	001a	11
856.1.075.1A	012	17	876.1.102.2B	029	1	886.4.089.1A	005	18	88713.1071	001b	10	88713.2906	001	6
856.1.136.1A	034	5	877.1.091.1A	025	21	886.4.089.1A	017	17	88713.1072	001b	1	88713.3334	001	11
856.1.136.1A	034a	2	877.1.113.1A	023	15	886.4.103.1A	031	10	88713.1073	001b	11	88713.3367	001	8
860.1.004.1A	011	21	877.1.114.1A	024	17	886.4.116.1A	022	30	88713.1074	001b	4	88713.3396	001b	3
860.1.005.1B	010	23	877.2.006.1B	029	2	886.4.116.1A	025	11	88713.1096	001b	14	88765.1000	001	13
860.5.006.1A	014	24	881.1.012.1A	002	32	886.4.118.1A	010	13	88713.1309	001	5	88765.1005	001	13
860.5.006.1A	015	24	881.1.034.1A	012	18	886.4.132.1A	005	12	88713.1515	001b	6	88765.1006	001	13
861.5.022.1A	021	26	881.1.051.1A	011	36	886.4.132.1A	009	22	88713.1749	001a	13	88765.1126C	001d	24
863.1.001.1D	026a	11	882.1.003.1A	008	11	886.4.132.1A	010	8	88713.1805	001a	3	88765.1126T	001d	16
866.1.019.1A	033	2	884.1.005.1A	021a	30	886.4.173.1A	004	17	88713.1806	001a	6	88765.1126V	001c	14

CATALOGUE No: 915.1.280.1G
ISSUED: 06 - 10

CATALOGUE No: 915.1.280.1G
ISSUED: 06 - 10

848 EVO

Index

CODE No.	Drwg.	POS. N.	CODE No.	Drwg.	POS. N.	CODE No.	Drwg.	POS. N.	CODE No.	Drwg.	POS. N.	CODE No.	Drwg.	POS. N.
88765.1188	001a	12	930.5.007.1A	013	17	97900.0231	001d	17						
88765.1298	001	3	930.5.012.1A	028a	5	97900.0232	001c	7						
88765.1371	001c	3	934.1.005.1A	031	6									
88765.1374	001c	4	934.1.006.1A	031	8									
88765.1518	001a	5	934.1.007.1A	035	15									
88765.1623	001a	14	934.1.010.1A	029	17									
893.1.014.3A	031	2	93783.1524	011	18									
893.2.006.2A	010	7	94247.0014	010a	3									
893.2.012.1A	005	15	94247.0014	011	12									
893.4.005.1A	023	11	97900.0002	001c	2									
893.4.005.1A	025	27	97900.0003	001d	23									
894.1.020.1A	009	23	97900.0215	001c	1									
895.2.007.1A	032	17	97900.0216	001c	5									
8A00.67610	031	12	97900.0217	001c	15									
913.7.178.1B	033	29	97900.0218	001d	18									
926.1.006.1A	033	36	97900.0219	001c	10									
926.1.010.1A	033	35	97900.0220	001d	21									
930.1.004.1B	021	2	97900.0221	001d	22									
930.1.007.1A	021a	29	97900.0222	001c	9									
930.4.011.1A	028	6	97900.0223	001c	11									
930.4.021.1A	005	9	97900.0224	001c	6									
930.4.022.1A	010	20	97900.0225	001c	8									
930.4.093.1A	010	22	97900.0226	001c	12									
930.4.123.1A	010a	8	97900.0227	001d	7									
930.4.150.1A	026	18	97900.0228	001d	12									
930.5.005.1A	011	26	97900.0229	001c	13									
930.5.006.2B	011	28	97900.0230	001d	20									

CATALOGUE No: 915.1.280.1G
ISSUED: 06 - 10

CATALOGUE No: 915.1.280.1G
ISSUED: 06 - 10